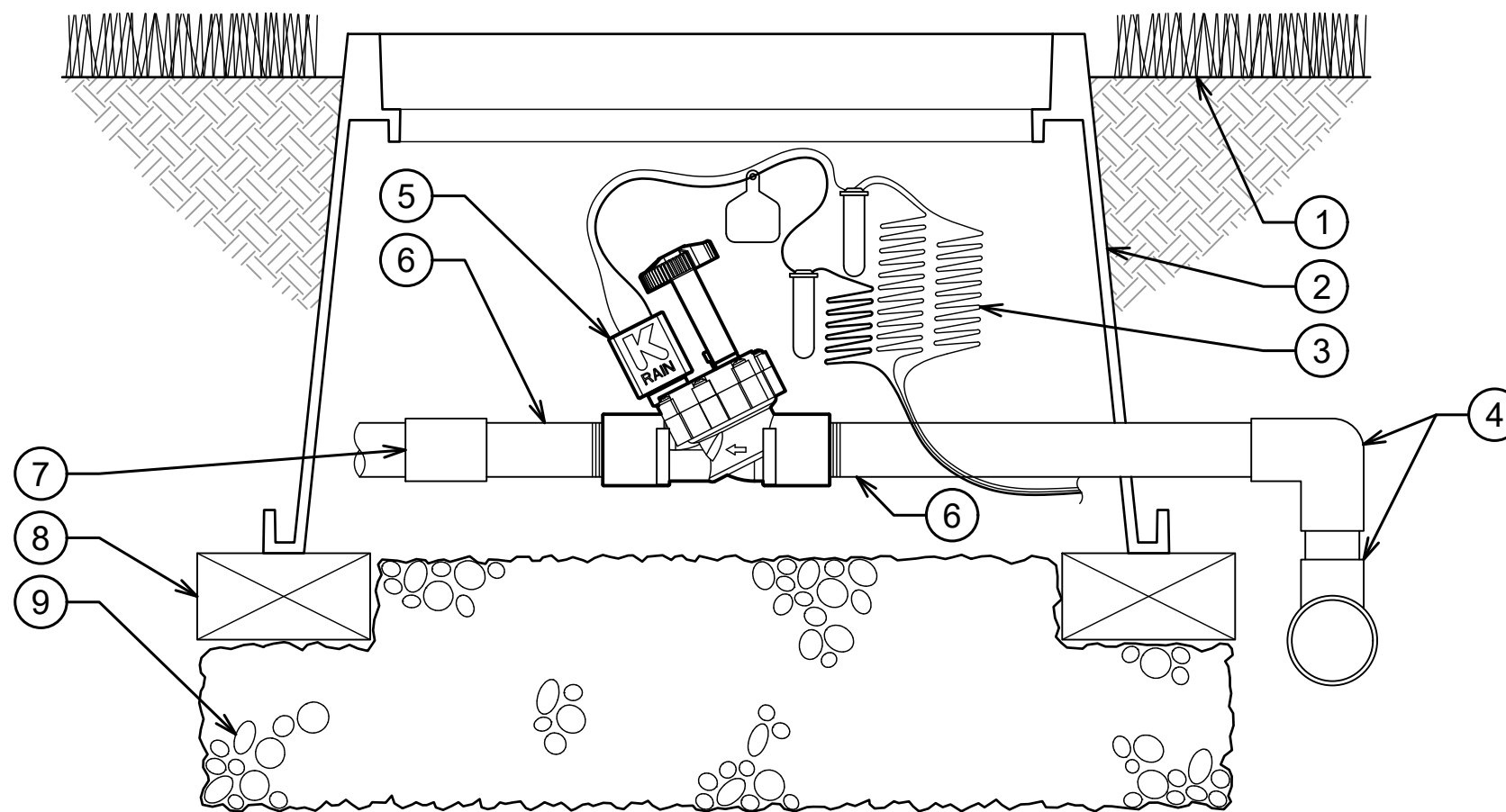


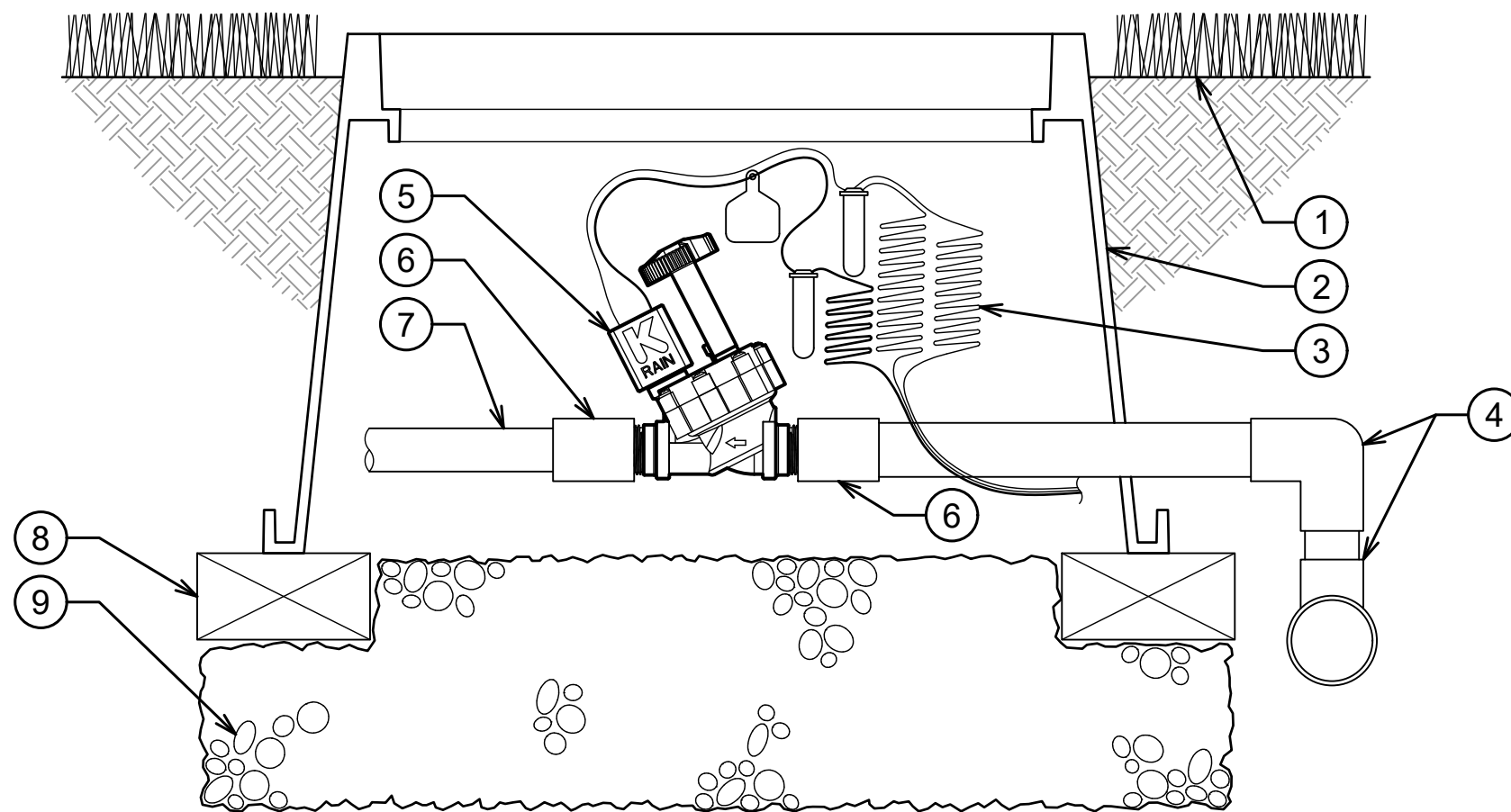
- ① FINISH GRADE
- ② STANDARD VALVE BOX
- ③ 18-24 INCH LINEAR LENGTH OF CONTROL WIRE WITH WATERPROOF CONNECTORS AND ZONE ID TAG: FOR 9V DC LATCHING SOLENOID CONNECT BLACK WIRE TO COMMON AND RED WIRE TO STATION WIRE
- ④ IRRIGATION MAINLINE AND FITTINGS PER SPECIFICATIONS
- ⑤ K-RAIN PROSERIES 100 VALVE MODEL 7001-9VDC: REMOTE CONTROL VALVE WITH 1" FEMALE THREAD FITTING, SELF-CLEANING METERING SCREEN, AND FLOW CONTROL. PROVIDE 9V DC LATCHING SOLENOID FOR BATTERY OPERATED TIMERS
- ⑥ PVC SCHEDULE 80 T.O.E. NIPPLE
- ⑦ LATERAL PIPE WITH PVC SCHEDULE 40 ADAPTER
- ⑧ BRICK SUPPORTS (4)
- ⑨ 6" DEPTH OF 3/4" WASHED GRAVEL



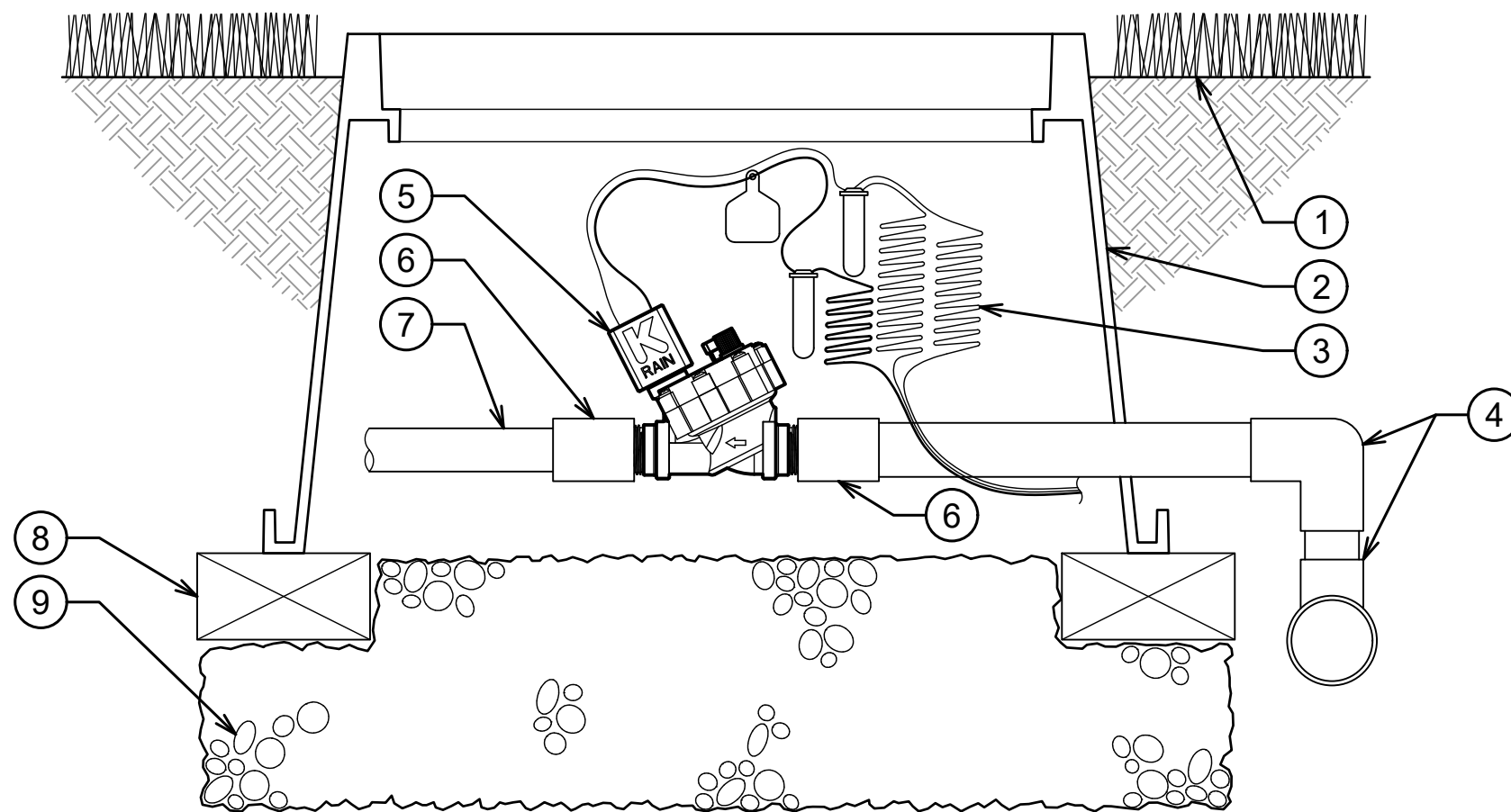
- ① FINISH GRADE
- ② STANDARD VALVE BOX
- ③ 18-24 INCH LINEAR LENGTH OF CONTROL WIRE WITH WATERPROOF CONNECTORS AND ZONE ID TAG: FOR 9V DC LATCHING SOLENOID CONNECT BLACK WIRE TO COMMON AND RED WIRE TO STATION WIRE
- ④ IRRIGATION MAINLINE AND FITTINGS PER SPECIFICATIONS
- ⑤ K-RAIN PROSERIES 100 VALVE MODEL 7001-9VDC-BSP: REMOTE CONTROL VALVE WITH 1" FEMALE BSP THREAD FITTING, SELF-CLEANING METERING SCREEN, AND FLOW CONTROL. PROVIDE 9V DC LATCHING SOLENOID FOR BATTERY OPERATED TIMERS
- ⑥ PVC SCHEDULE 80 T.O.E. NIPPLE
- ⑦ LATERAL PIPE WITH PVC SCHEDULE 40 ADAPTER
- ⑧ BRICK SUPPORTS (4)
- ⑨ 6" DEPTH OF 3/4" WASHED GRAVEL

00 K-RAIN PROSERIES 100: 1" REMOTE CONTROL VALVE

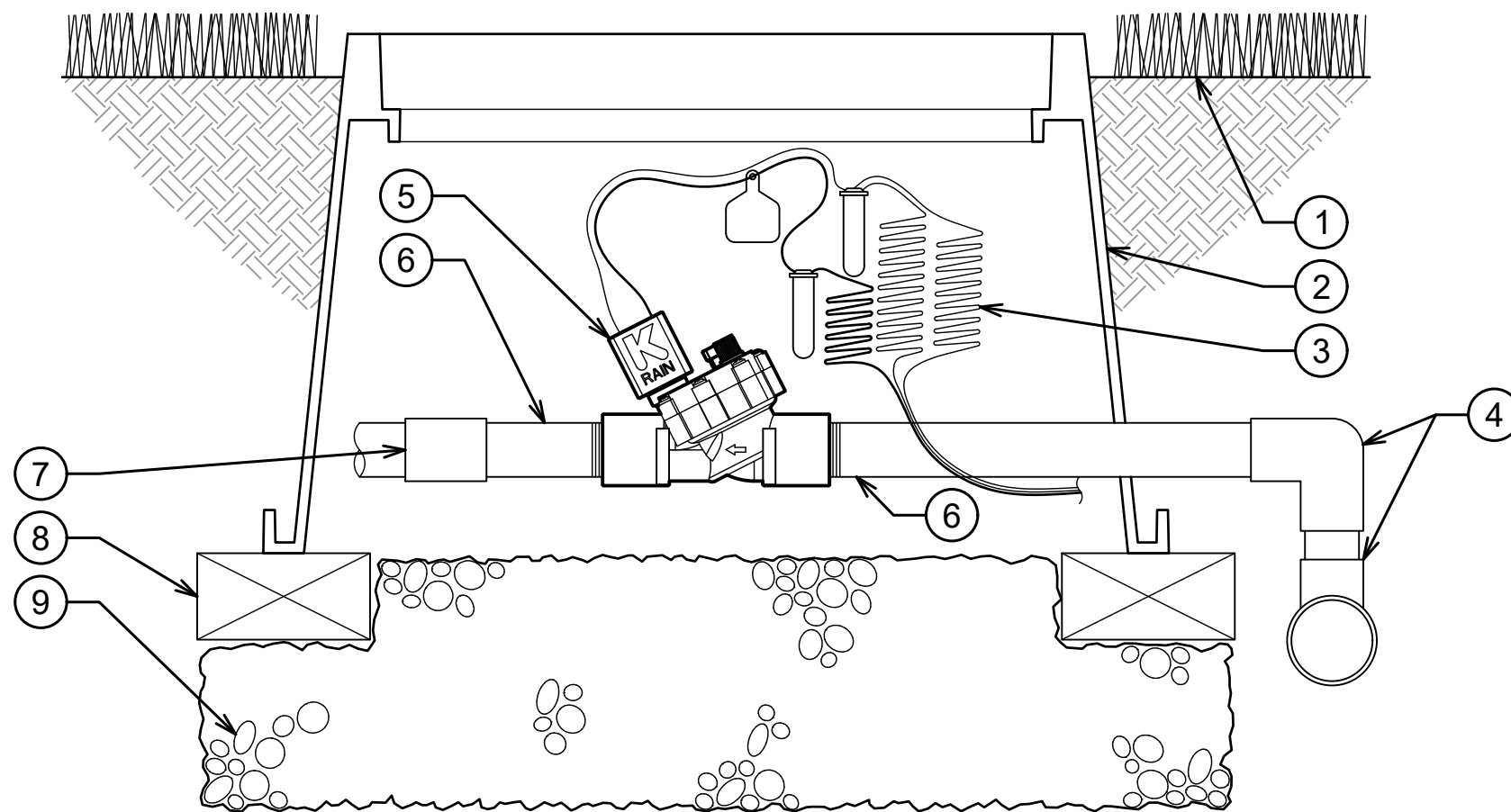
3" = 1'-0"



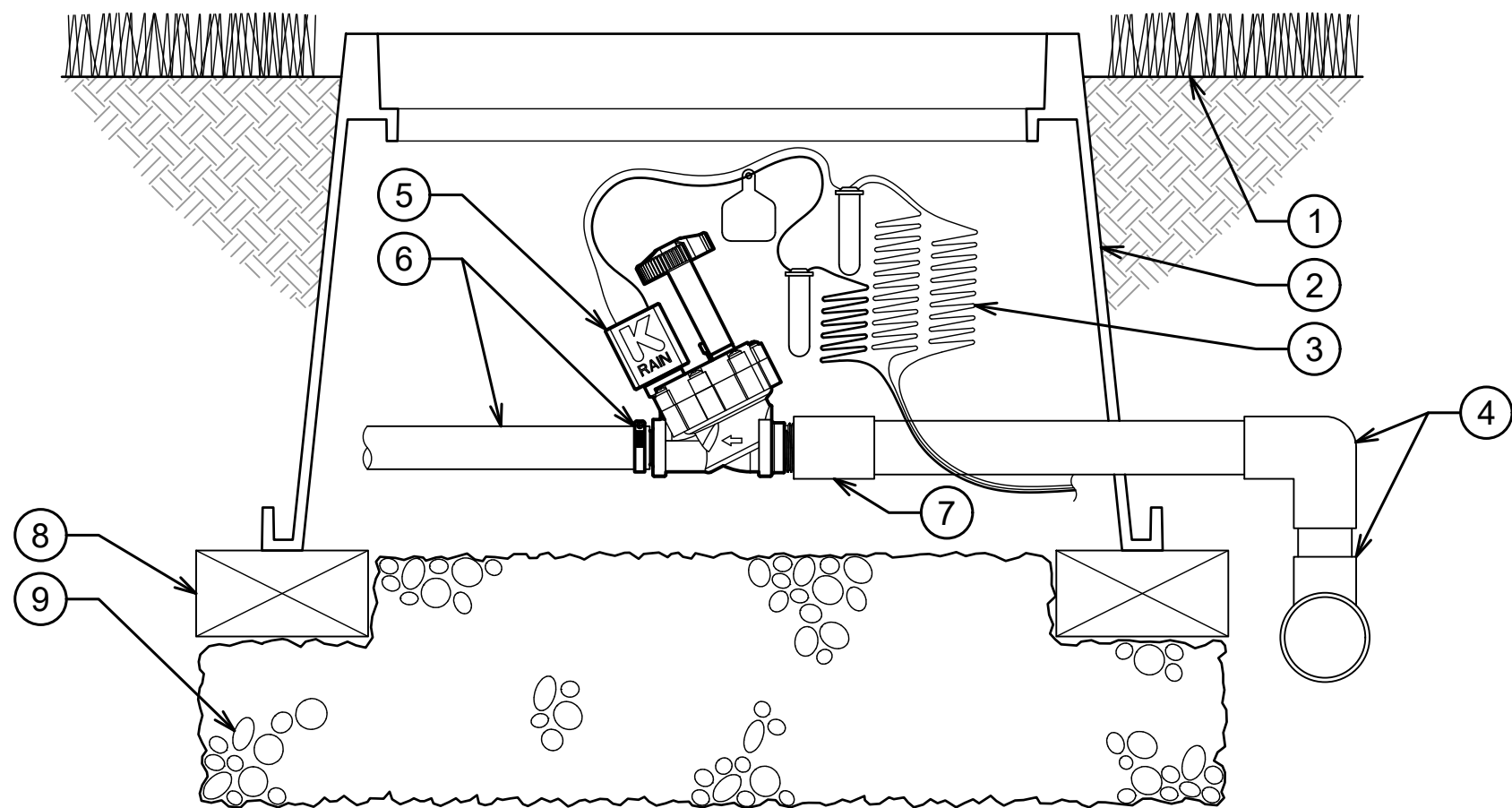
- ① FINISH GRADE
- ② STANDARD VALVE BOX
- ③ 18-24 INCH LINEAR LENGTH OF CONTROL WIRE WITH WATERPROOF CONNECTORS AND ZONE ID TAG: FOR 9V DC LATCHING SOLENOID CONNECT BLACK WIRE TO COMMON AND RED WIRE TO STATION WIRE
- ④ IRRIGATION MAINLINE AND FITTINGS PER SPECIFICATIONS
- ⑤ K-RAIN PROSERIES 100 VALVE MODEL 7001-9VDC-BSP-MXM: REMOTE CONTROL VALVE WITH 1" MALE BSP THREADED FITTING, SELF-CLEANING METERING SCREEN, AND FLOW CONTROL. PROVIDE 9V DC LATCHING SOLENOID FOR BATTERY OPERATED TIMERS
- ⑥ PVC SCHEDULE 40 FEMALE THREADED ADAPTER
- ⑦ LATERAL PIPE
- ⑧ BRICK SUPPORTS (4)
- ⑨ 6" DEPTH OF 3/4" WASHED GRAVEL



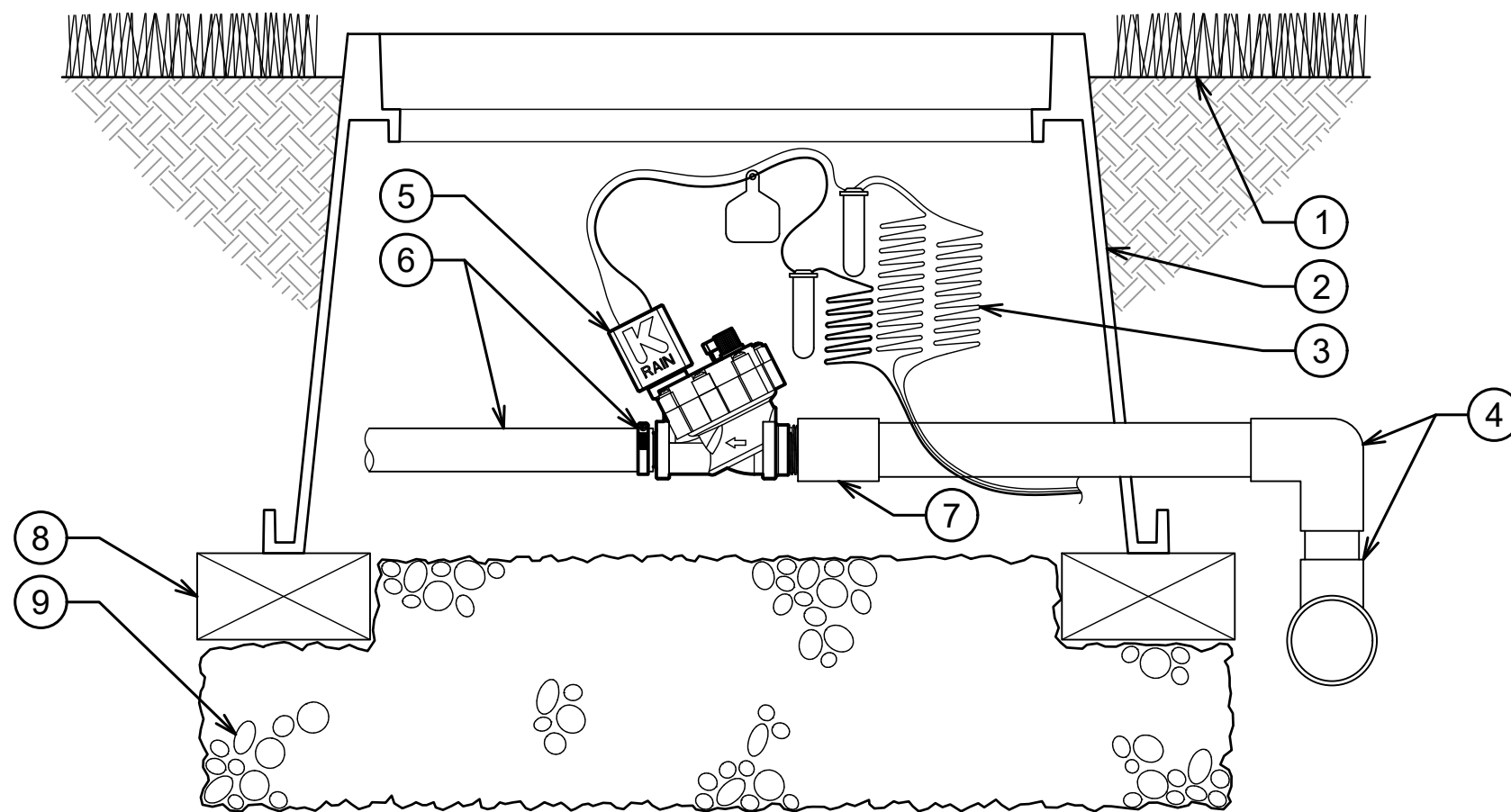
- ① FINISH GRADE
- ② STANDARD VALVE BOX
- ③ 18-24 INCH LINEAR LENGTH OF CONTROL WIRE WITH WATERPROOF CONNECTORS AND ZONE ID TAG: FOR 9V DC LATCHING SOLENOID CONNECT BLACK WIRE TO COMMON AND RED WIRE TO STATION WIRE
- ④ IRRIGATION MAINLINE AND FITTINGS PER SPECIFICATIONS
- ⑤ K-RAIN PROSERIES 100 VALVE MODEL 7001-9VDC-BSP-MXM-NFC: REMOTE CONTROL VALVE WITH 1" MALE BSP THREADED FITTING AND SELF-CLEANING METERING SCREEN, WITHOUT FLOW CONTROL. PROVIDE 9V DC LATCHING SOLENOID FOR BATTERY OPERATED TIMERS
- ⑥ PVC SCHEDULE 40 FEMALE THREADED ADAPTER
- ⑦ LATERAL PIPE
- ⑧ BRICK SUPPORTS (4)
- ⑨ 6" DEPTH OF 3/4" WASHED GRAVEL



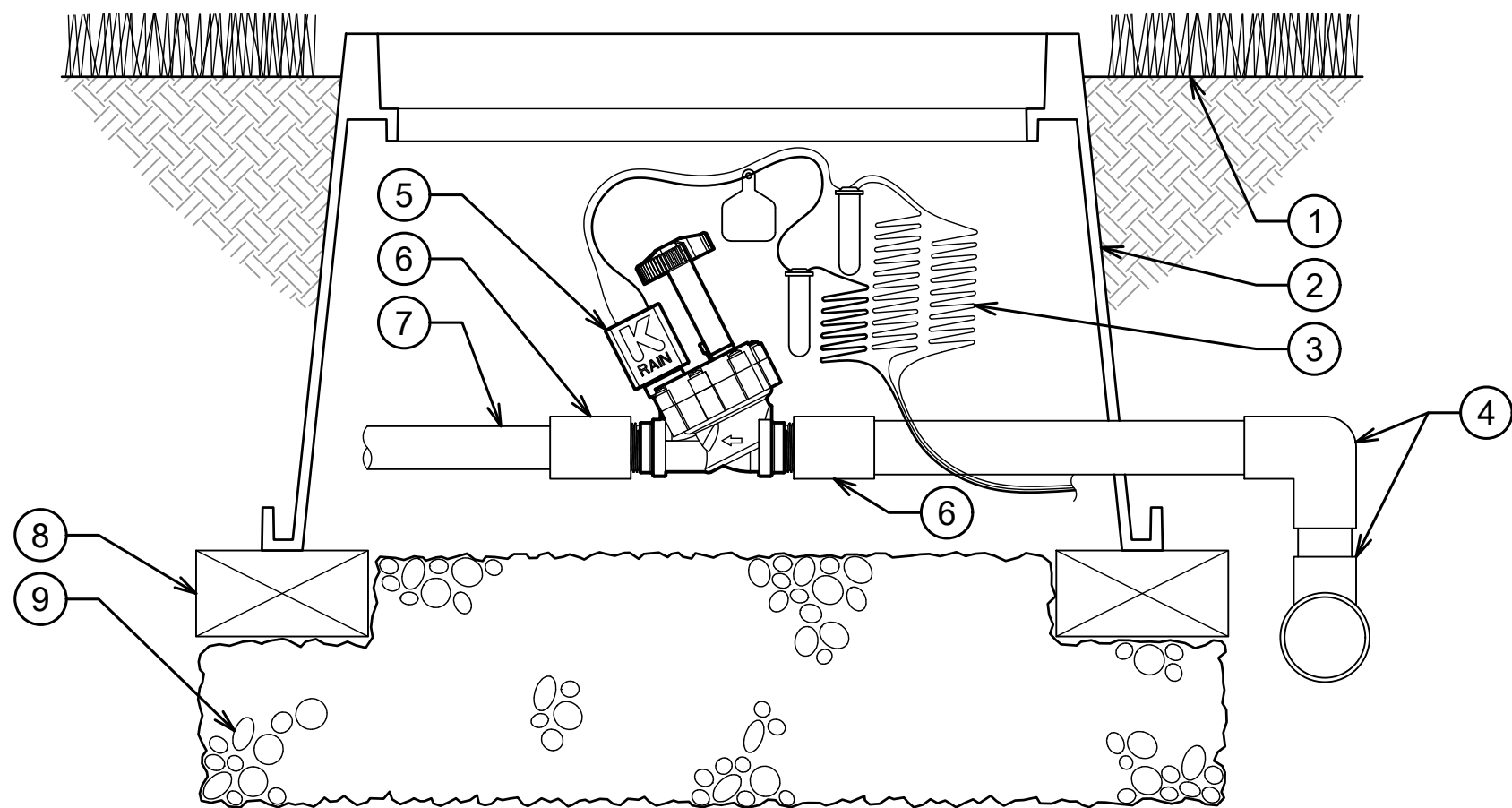
- ① FINISH GRADE
- ② STANDARD VALVE BOX
- ③ 18-24 INCH LINEAR LENGTH OF CONTROL WIRE WITH WATERPROOF CONNECTORS AND ZONE ID TAG: FOR 9V DC LATCHING SOLENOID CONNECT BLACK WIRE TO COMMON AND RED WIRE TO STATION WIRE
- ④ IRRIGATION MAINLINE AND FITTINGS PER SPECIFICATIONS
- ⑤ K-RAIN PROSERIES 100 VALVE MODEL 7001-9VDC-BSP-NFC: REMOTE CONTROL VALVE WITH 1" FEMALE BSP THREAD FITTING AND SELF-CLEANING METERING SCREEN, WITHOUT FLOW CONTROL. PROVIDE 9V DC LATCHING SOLENOID FOR BATTERY OPERATED TIMERS
- ⑥ PVC SCHEDULE 80 T.O.E. NIPPLE
- ⑦ LATERAL PIPE WITH PVC SCHEDULE 40 ADAPTER
- ⑧ BRICK SUPPORTS (4)
- ⑨ 6" DEPTH OF 3/4" WASHED GRAVEL



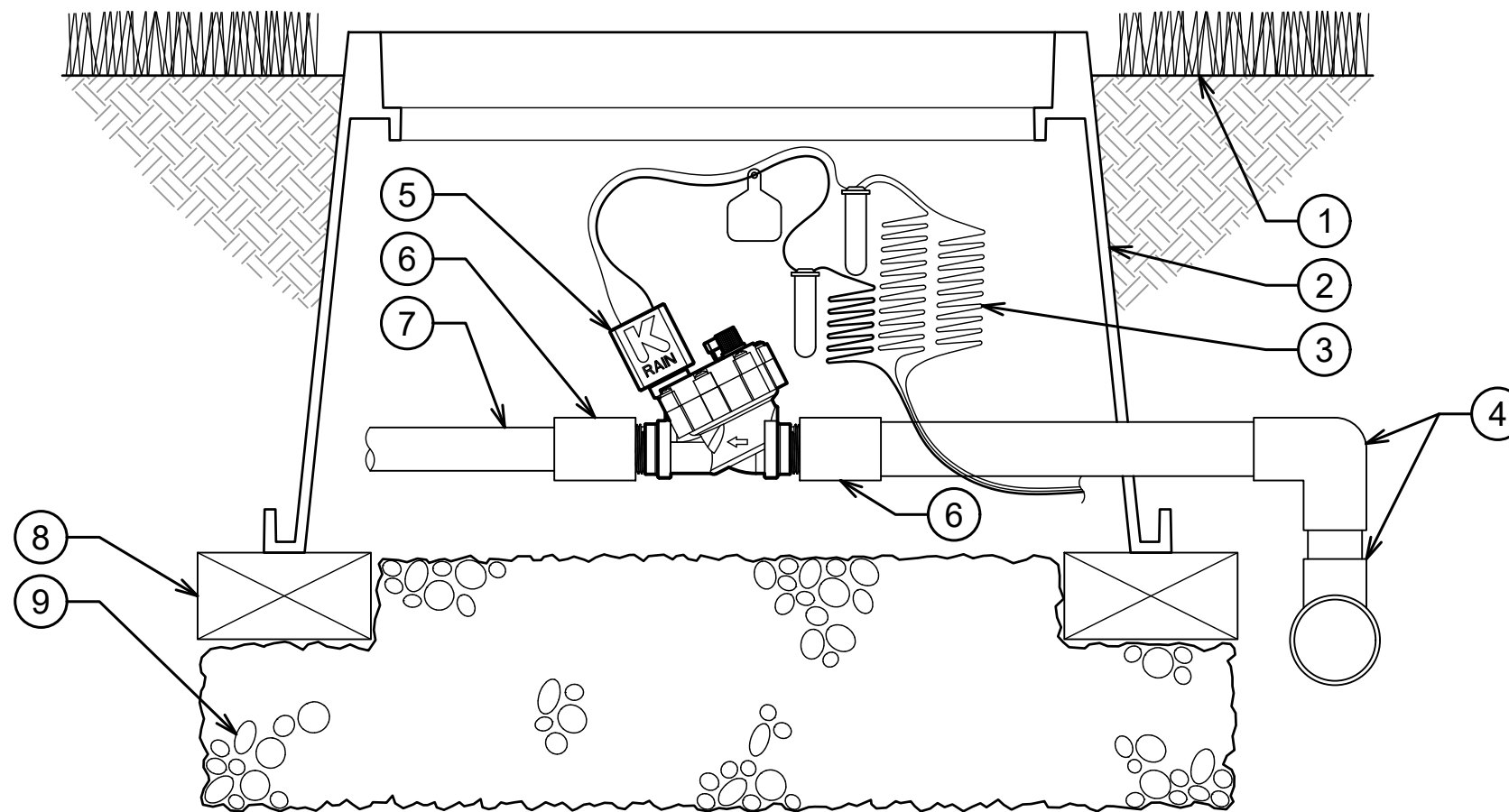
- ① FINISH GRADE
- ② STANDARD VALVE BOX
- ③ 18-24 INCH LINEAR LENGTH OF CONTROL WIRE WITH WATERPROOF CONNECTORS AND ZONE ID TAG: FOR 9V DC LATCHING SOLENOID CONNECT BLACK WIRE TO COMMON AND RED WIRE TO STATION WIRE
- ④ IRRIGATION MAINLINE AND FITTINGS PER SPECIFICATIONS
- ⑤ K-RAIN PROSERIES 100 VALVE MODEL 7001-9VDC-MXB: REMOTE CONTROL VALVE WITH 1" MALE THREADED FITTING X 1" BARB, SELF-CLEANING METERING SCREEN, AND FLOW CONTROL. PROVIDE 9V DC LATCHING SOLENOID FOR BATTERY OPERATED TIMERS
- ⑥ POLYETHYLENE LATERAL PIPE WITH STAINLESS STEEL PIPE CLAMP
- ⑦ PVC SCHEDULE 40 FEMALE THREADED ADAPTER
- ⑧ BRICK SUPPORTS (4)
- ⑨ 6" DEPTH OF 3/4" WASHED GRAVEL



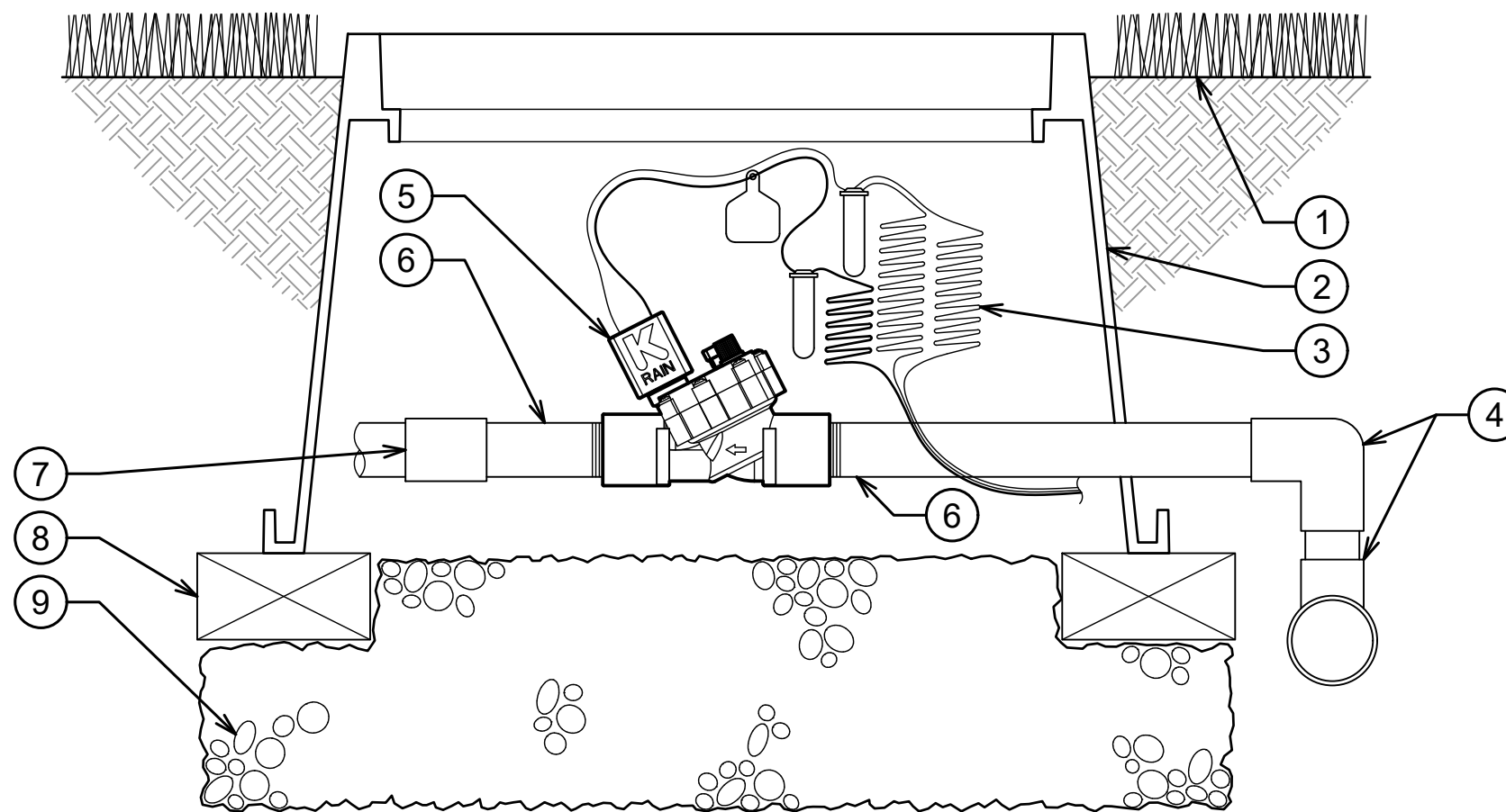
- ① FINISH GRADE
- ② STANDARD VALVE BOX
- ③ 18-24 INCH LINEAR LENGTH OF CONTROL WIRE WITH WATERPROOF CONNECTORS AND ZONE ID TAG: FOR 9V DC LATCHING SOLENOID CONNECT BLACK WIRE TO COMMON AND RED WIRE TO STATION WIRE
- ④ IRRIGATION MAINLINE AND FITTINGS PER SPECIFICATIONS
- ⑤ K-RAIN PROSERIES 100 VALVE MODEL 7001-9VDC-MXB-NFC: REMOTE CONTROL VALVE WITH 1" MALE THREADED FITTING X 1" BARB AND SELF-CLEANING METERING SCREEN, WITHOUT FLOW CONTROL. PROVIDE 9V DC LATCHING SOLENOID FOR BATTERY OPERATED TIMERS
- ⑥ POLYETHYLENE LATERAL PIPE WITH STAINLESS STEEL PIPE CLAMP
- ⑦ PVC SCHEDULE 40 FEMALE THREADED ADAPTER
- ⑧ BRICK SUPPORTS (4)
- ⑨ 6" DEPTH OF 3/4" WASHED GRAVEL



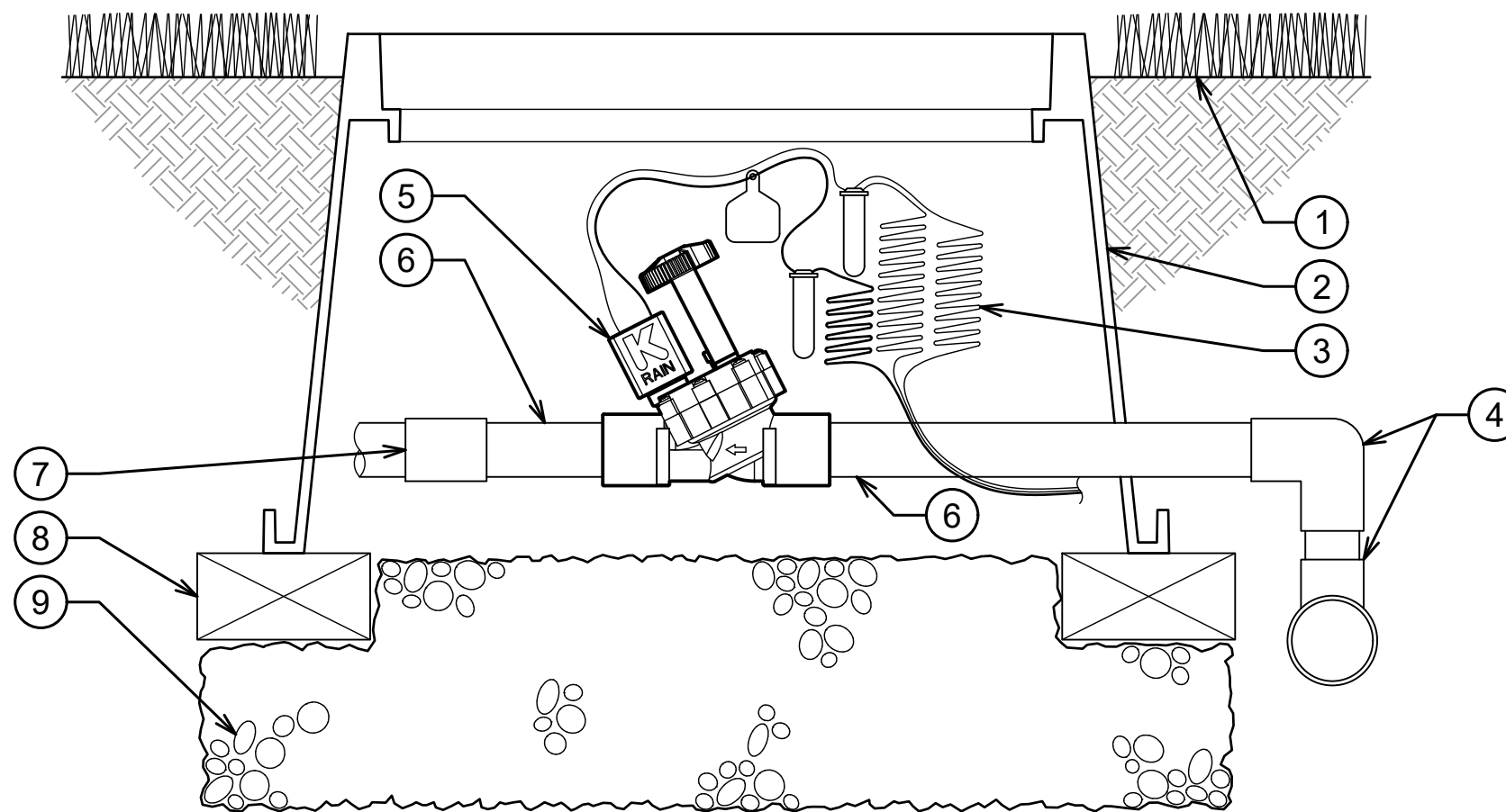
- ① FINISH GRADE
- ② STANDARD VALVE BOX
- ③ 18-24 INCH LINEAR LENGTH OF CONTROL WIRE WITH WATERPROOF CONNECTORS AND ZONE ID TAG: FOR 9V DC LATCHING SOLENOID CONNECT BLACK WIRE TO COMMON AND RED WIRE TO STATION WIRE
- ④ IRRIGATION MAINLINE AND FITTINGS PER SPECIFICATIONS
- ⑤ K-RAIN PROSERIES 100 VALVE MODEL 7001-9VDC-MXM: REMOTE CONTROL VALVE WITH 1" MALE THREADED FITTING, SELF-CLEANING METERING SCREEN, AND FLOW CONTROL. PROVIDE 9V DC LATCHING SOLENOID FOR BATTERY OPERATED TIMERS
- ⑥ PVC SCHEDULE 40 FEMALE THREADED ADAPTER
- ⑦ LATERAL PIPE
- ⑧ BRICK SUPPORTS (4)
- ⑨ 6" DEPTH OF 3/4" WASHED GRAVEL



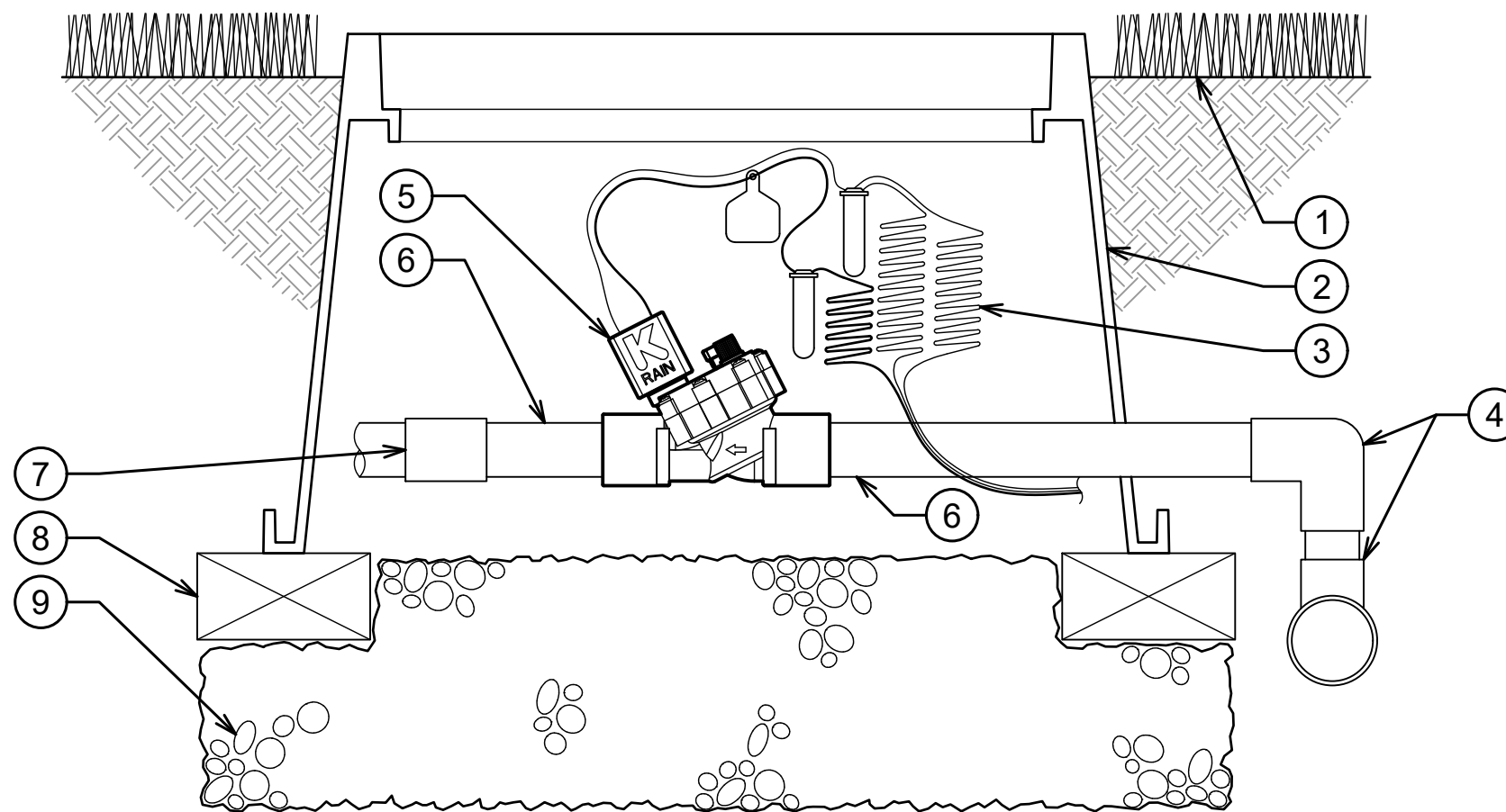
- ① FINISH GRADE
- ② STANDARD VALVE BOX
- ③ 18-24 INCH LINEAR LENGTH OF CONTROL WIRE WITH WATERPROOF CONNECTORS AND ZONE ID TAG: FOR 9V DC LATCHING SOLENOID CONNECT BLACK WIRE TO COMMON AND RED WIRE TO STATION WIRE
- ④ IRRIGATION MAINLINE AND FITTINGS PER SPECIFICATIONS
- ⑤ K-RAIN PROSERIES 100 VALVE MODEL 7001-9VDC-MXM-NFC: REMOTE CONTROL VALVE WITH 1" MALE THREADED FITTING AND SELF-CLEANING METERING SCREEN, WITHOUT FLOW CONTROL. PROVIDE 9V DC LATCHING SOLENOID FOR BATTERY OPERATED TIMERS
- ⑥ PVC SCHEDULE 40 FEMALE THREADED ADAPTER
- ⑦ LATERAL PIPE
- ⑧ BRICK SUPPORTS (4)
- ⑨ 6" DEPTH OF 3/4" WASHED GRAVEL



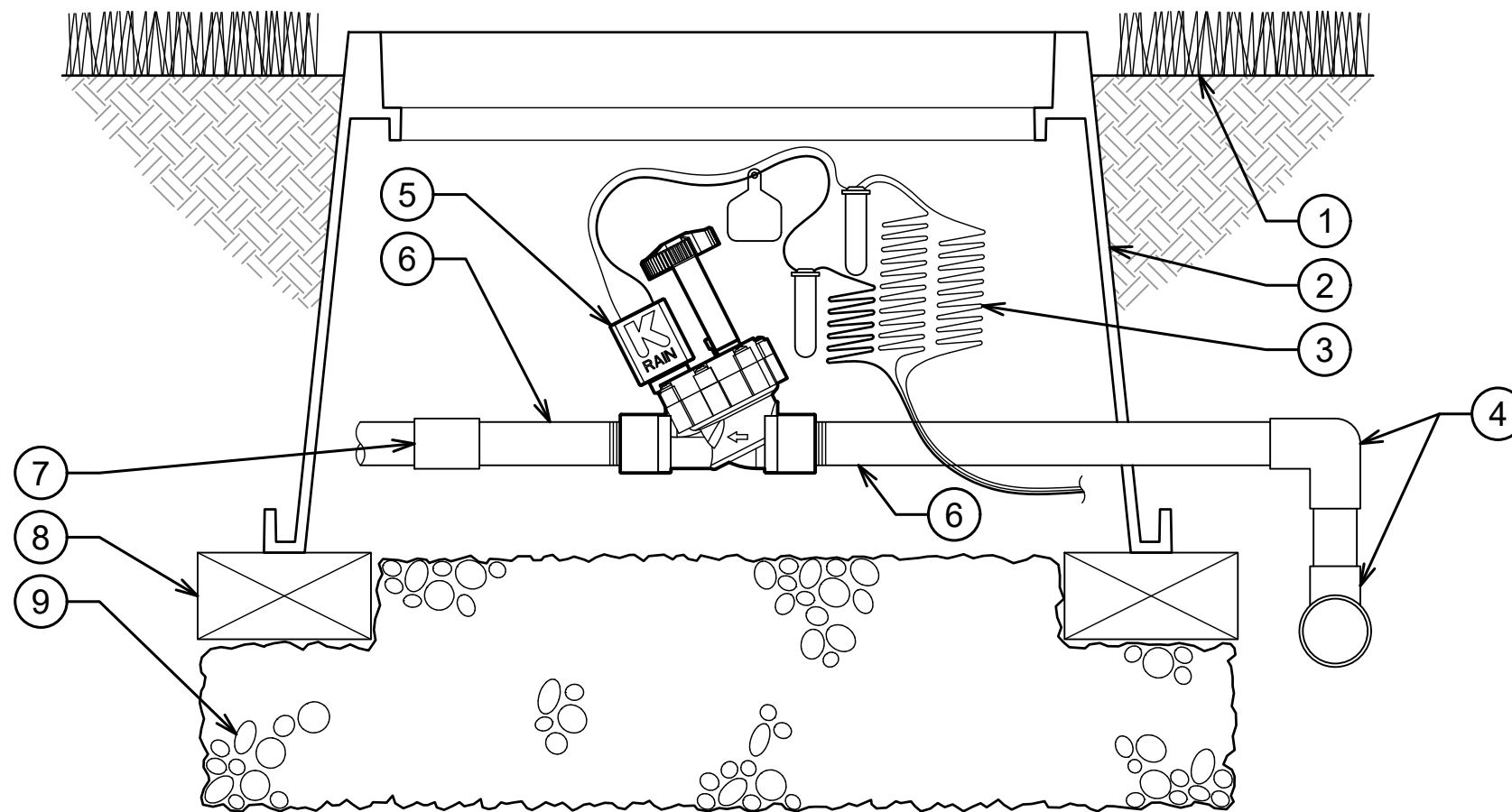
- ① FINISH GRADE
- ② STANDARD VALVE BOX
- ③ 18-24 INCH LINEAR LENGTH OF CONTROL WIRE WITH WATERPROOF CONNECTORS AND ZONE ID TAG: FOR 9V DC LATCHING SOLENOID CONNECT BLACK WIRE TO COMMON AND RED WIRE TO STATION WIRE
- ④ IRRIGATION MAINLINE AND FITTINGS PER SPECIFICATIONS
- ⑤ K-RAIN PROSERIES 100 VALVE MODEL 7001-9VDC-NFC: REMOTE CONTROL VALVE WITH 1" FEMALE THREAD FITTING AND SELF-CLEANING METERING SCREEN, WITHOUT FLOW CONTROL. PROVIDE 9V DC LATCHING SOLENOID FOR BATTERY OPERATED TIMERS
- ⑥ PVC SCHEDULE 80 T.O.E. NIPPLE
- ⑦ LATERAL PIPE WITH PVC SCHEDULE 40 ADAPTER
- ⑧ BRICK SUPPORTS (4)
- ⑨ 6" DEPTH OF 3/4" WASHED GRAVEL



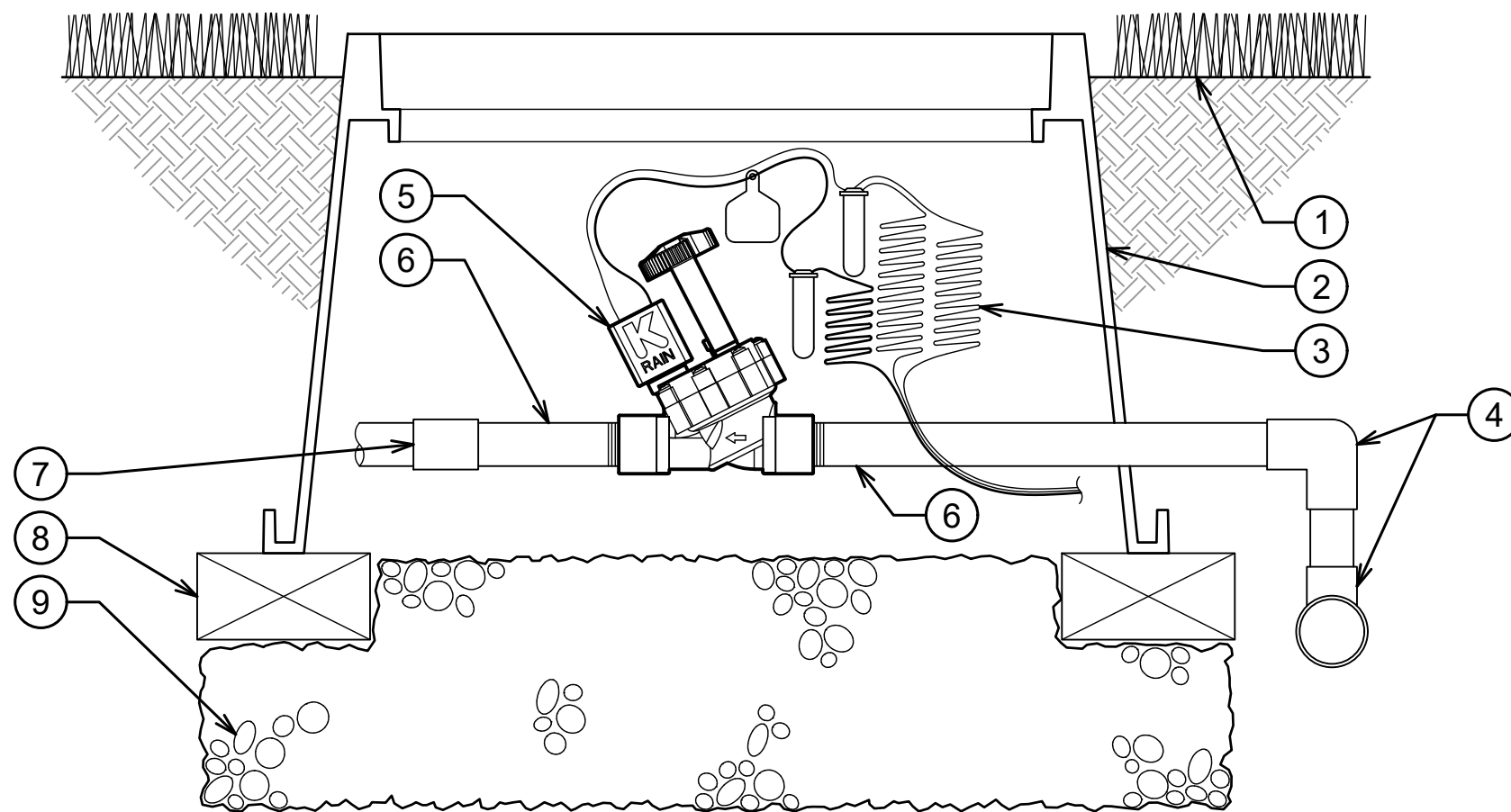
- ① FINISH GRADE
- ② STANDARD VALVE BOX
- ③ 18-24 INCH LINEAR LENGTH OF CONTROL WIRE WITH WATERPROOF CONNECTORS AND ZONE ID TAG: FOR 9V DC LATCHING SOLENOID CONNECT BLACK WIRE TO COMMON AND RED WIRE TO STATION WIRE
- ④ IRRIGATION MAINLINE AND FITTINGS PER SPECIFICATIONS
- ⑤ K-RAIN PROSERIES 100 VALVE MODEL 7001-9VDC-SL: REMOTE CONTROL VALVE WITH 1" SLIP FITTING, SELF-CLEANING METERING SCREEN, AND FLOW CONTROL. PROVIDE 9V DC LATCHING SOLENOID FOR BATTERY OPERATED TIMERS
- ⑥ PVC SCHEDULE 80 NIPPLE
- ⑦ LATERAL PIPE WITH PVC SCHEDULE 40 ADAPTER
- ⑧ BRICK SUPPORTS (4)
- ⑨ 6" DEPTH OF 3/4" WASHED GRAVEL



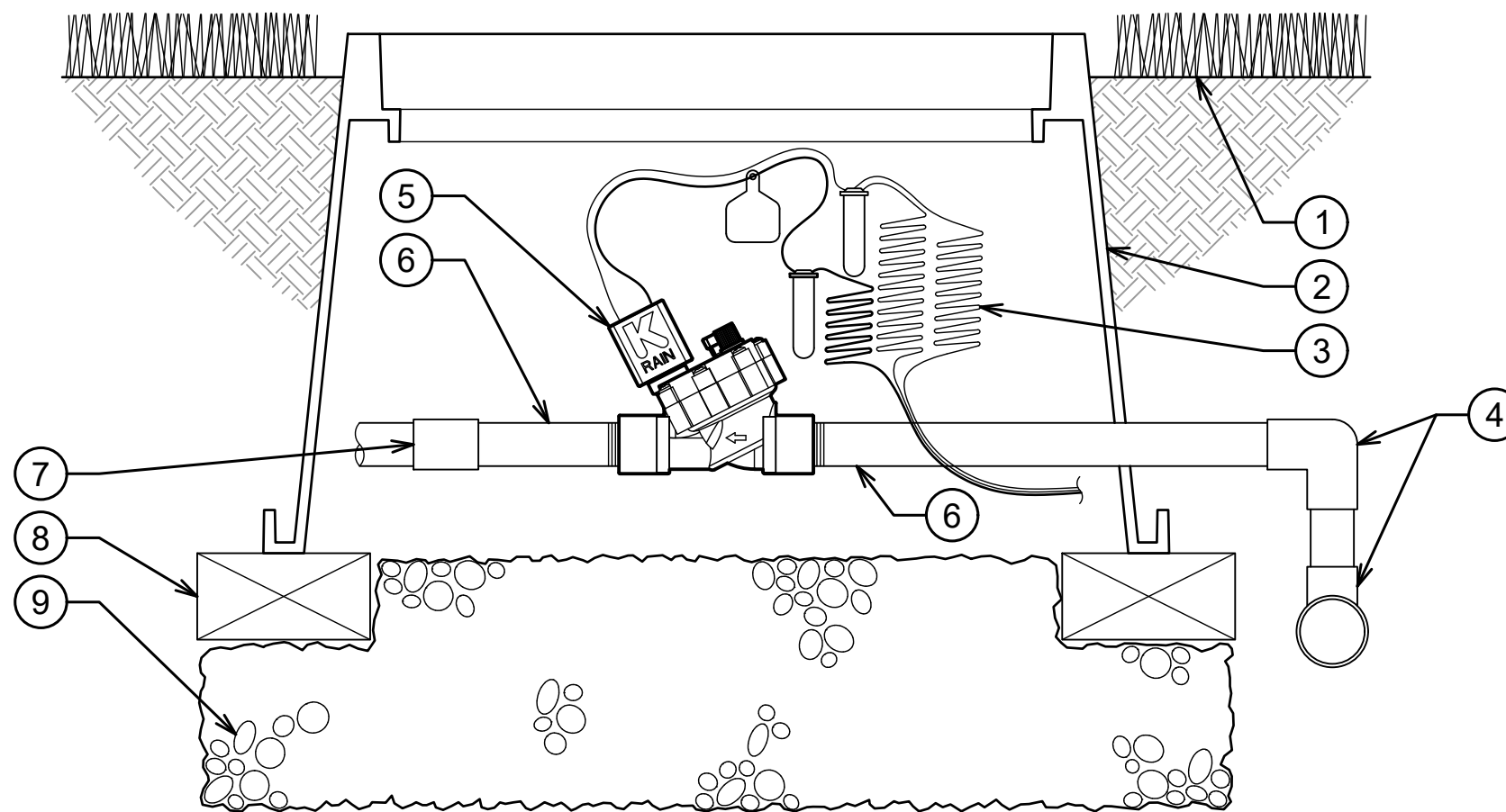
- ① FINISH GRADE
- ② STANDARD VALVE BOX
- ③ 18-24 INCH LINEAR LENGTH OF CONTROL WIRE WITH WATERPROOF CONNECTORS AND ZONE ID TAG: FOR 9V DC LATCHING SOLENOID CONNECT BLACK WIRE TO COMMON AND RED WIRE TO STATION WIRE
- ④ IRRIGATION MAINLINE AND FITTINGS PER SPECIFICATIONS
- ⑤ K-RAIN PROSERIES 100 VALVE MODEL 7001-9VDC-SL-NFC: REMOTE CONTROL VALVE WITH 1" SLIP FITTING AND SELF-CLEANING METERING SCREEN, WITHOUT FLOW CONTROL. PROVIDE 9V DC LATCHING SOLENOID FOR BATTERY OPERATED TIMERS
- ⑥ PVC SCHEDULE 80 NIPPLE
- ⑦ LATERAL PIPE WITH PVC SCHEDULE 40 ADAPTER
- ⑧ BRICK SUPPORTS (4)
- ⑨ 6" DEPTH OF 3/4" WASHED GRAVEL



- ① FINISH GRADE
- ② STANDARD VALVE BOX
- ③ 18-24 INCH LINEAR LENGTH OF CONTROL WIRE WITH WATERPROOF CONNECTORS AND ZONE ID TAG: FOR 9V DC LATCHING SOLENOID CONNECT BLACK WIRE TO COMMON AND RED WIRE TO STATION WIRE
- ④ IRRIGATION MAINLINE AND FITTINGS PER SPECIFICATIONS
- ⑤ K-RAIN PROSERIES 100 VALVE MODEL 7075-9VDC: REMOTE CONTROL VALVE WITH 3/4" FEMALE THREAD FITTING, SELF-CLEANING METERING SCREEN, AND FLOW CONTROL. PROVIDE 9V DC LATCHING SOLENOID FOR BATTERY OPERATED TIMERS
- ⑥ PVC SCHEDULE 80 T.O.E. NIPPLE
- ⑦ LATERAL PIPE WITH PVC SCHEDULE 40 ADAPTER
- ⑧ BRICK SUPPORTS (4)
- ⑨ 6" DEPTH OF 3/4" WASHED GRAVEL



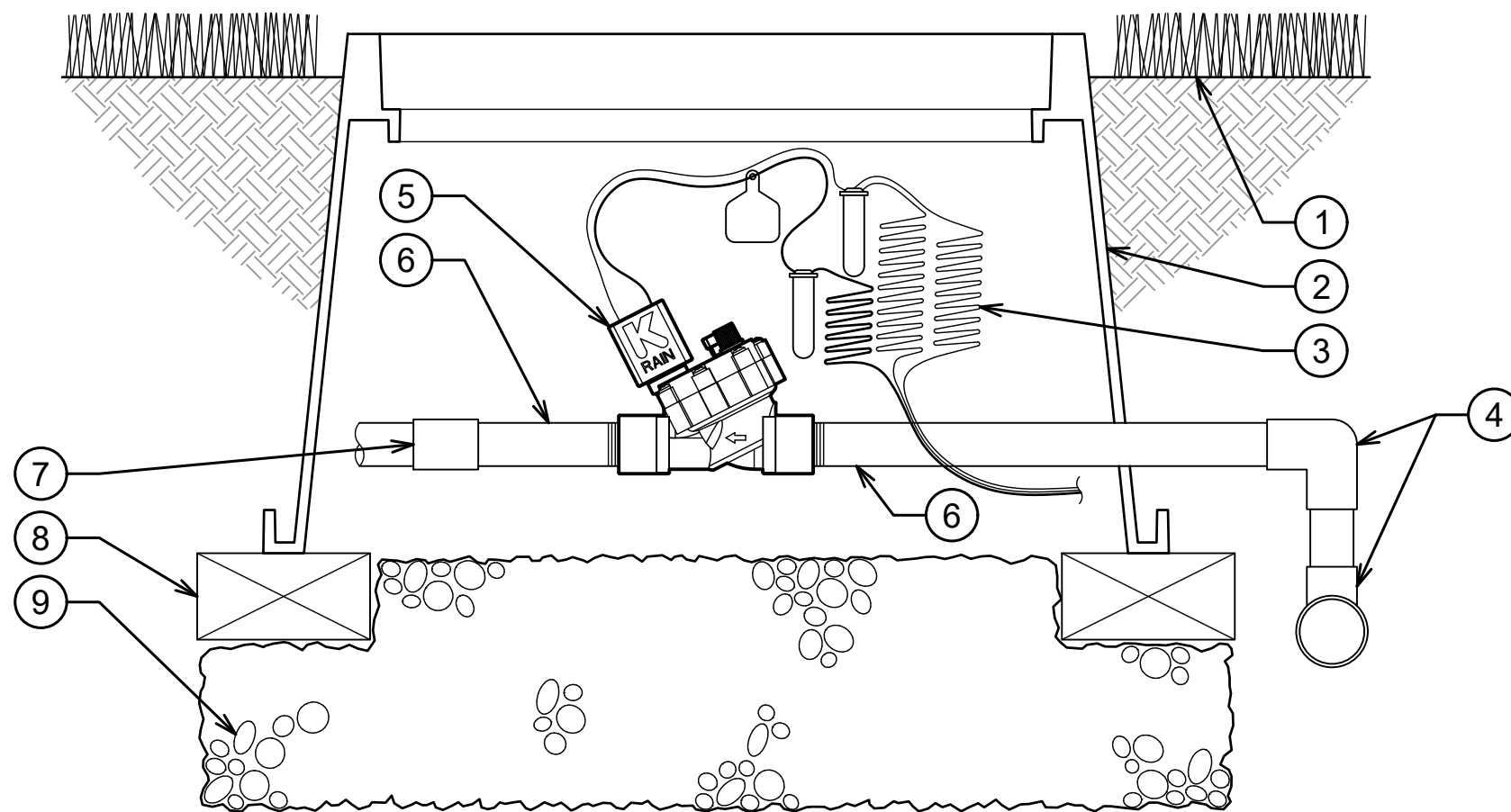
- ① FINISH GRADE
- ② STANDARD VALVE BOX
- ③ 18-24 INCH LINEAR LENGTH OF CONTROL WIRE WITH WATERPROOF CONNECTORS AND ZONE ID TAG: FOR 9V DC LATCHING SOLENOID CONNECT BLACK WIRE TO COMMON AND RED WIRE TO STATION WIRE
- ④ IRRIGATION MAINLINE AND FITTINGS PER SPECIFICATIONS
- ⑤ K-RAIN PROSERIES 100 VALVE MODEL 7075-9VDC-BSP: REMOTE CONTROL VALVE WITH 3/4" FEMALE BSP THREAD FITTING, SELF-CLEANING METERING SCREEN, AND FLOW CONTROL. PROVIDE 9V DC LATCHING SOLENOID FOR BATTERY OPERATED TIMERS
- ⑥ PVC SCHEDULE 80 T.O.E. NIPPLE
- ⑦ LATERAL PIPE WITH PVC SCHEDULE 40 ADAPTER
- ⑧ BRICK SUPPORTS (4)
- ⑨ 6" DEPTH OF 3/4" WASHED GRAVEL



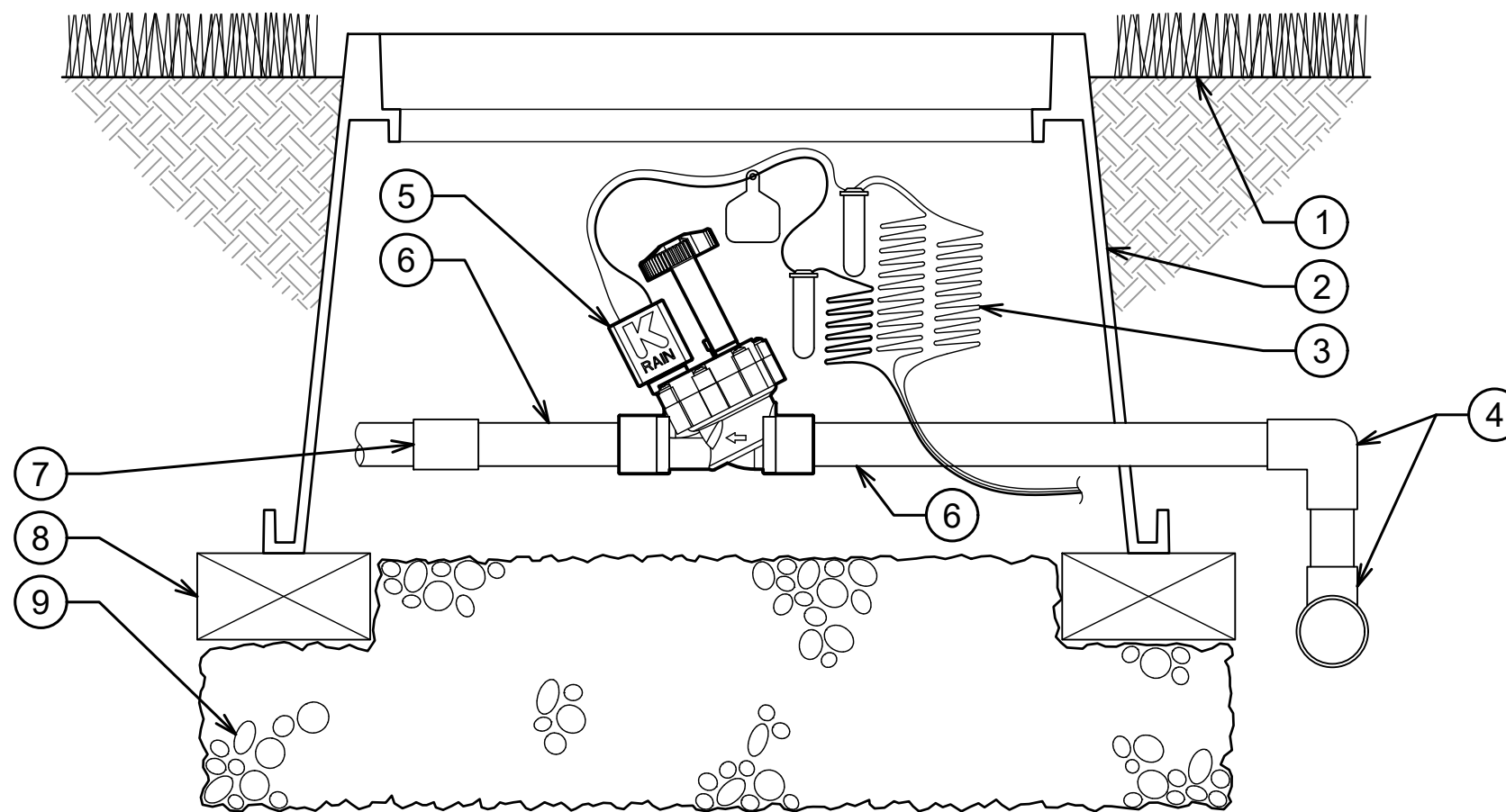
- ① FINISH GRADE
- ② STANDARD VALVE BOX
- ③ 18-24 INCH LINEAR LENGTH OF CONTROL WIRE WITH WATERPROOF CONNECTORS AND ZONE ID TAG: FOR 9V DC LATCHING SOLENOID CONNECT BLACK WIRE TO COMMON AND RED WIRE TO STATION WIRE
- ④ IRRIGATION MAINLINE AND FITTINGS PER SPECIFICATIONS
- ⑤ K-RAIN PROSERIES 100 VALVE MODEL 7075-9VDC-BSP-NFC: REMOTE CONTROL VALVE WITH 3/4" FEMALE BSP THREAD FITTING AND SELF-CLEANING METERING SCREEN, WITHOUT FLOW CONTROL. PROVIDE 9V DC LATCHING SOLENOID FOR BATTERY OPERATED TIMERS
- ⑥ PVC SCHEDULE 80 T.O.E. NIPPLE
- ⑦ LATERAL PIPE WITH PVC SCHEDULE 40 ADAPTER
- ⑧ BRICK SUPPORTS (4)
- ⑨ 6" DEPTH OF 3/4" WASHED GRAVEL

00 K-RAIN PROSERIES 100: 3/4" REMOTE CONTROL VALVE

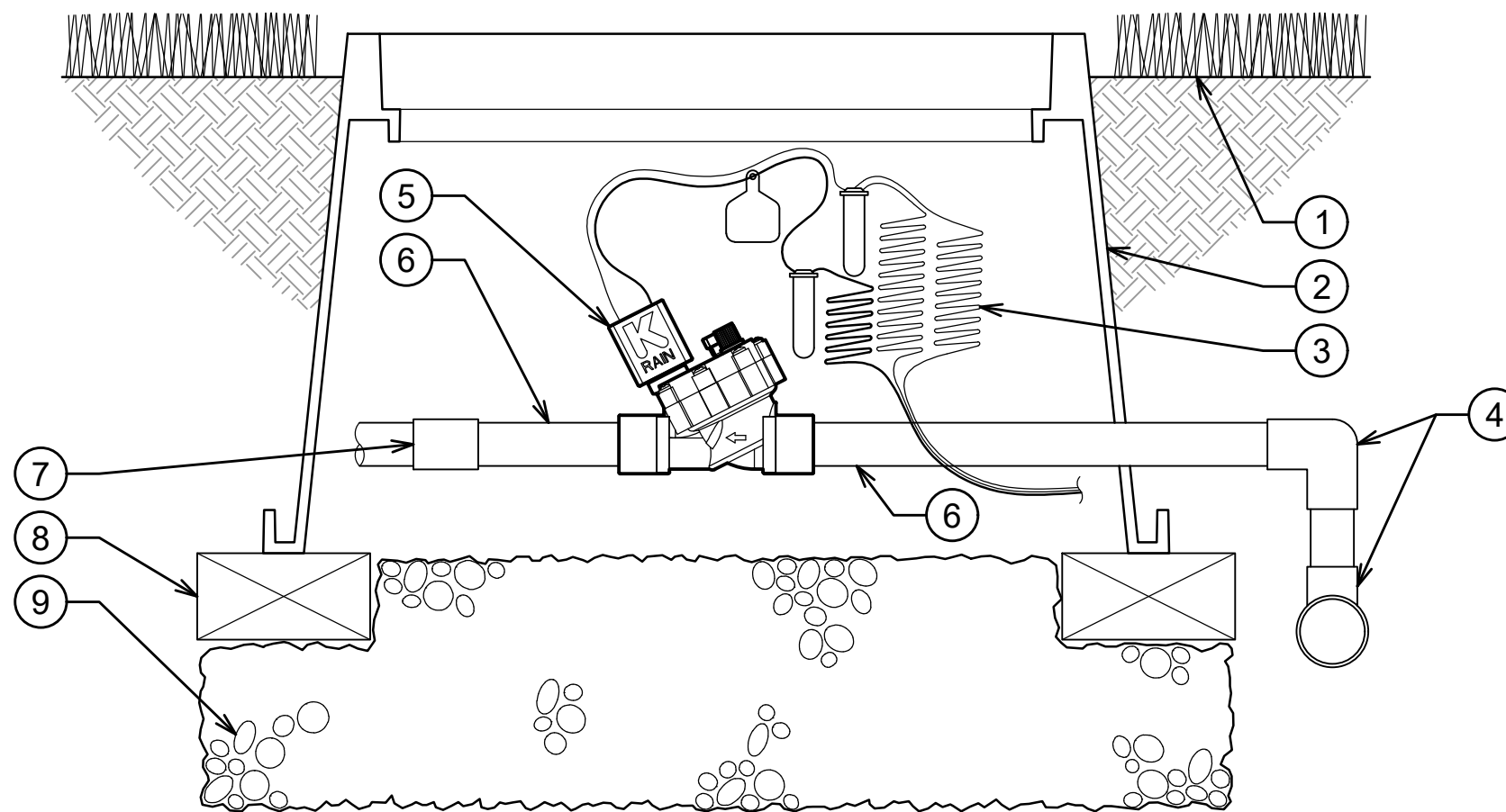
3" = 1'-0"



- ① FINISH GRADE
- ② STANDARD VALVE BOX
- ③ 18-24 INCH LINEAR LENGTH OF CONTROL WIRE WITH WATERPROOF CONNECTORS AND ZONE ID TAG: FOR 9V DC LATCHING SOLENOID CONNECT BLACK WIRE TO COMMON AND RED WIRE TO STATION WIRE
- ④ IRRIGATION MAINLINE AND FITTINGS PER SPECIFICATIONS
- ⑤ K-RAIN PROSERIES 100 VALVE MODEL 7075-9VDC-NFC: REMOTE CONTROL VALVE WITH 3/4" FEMALE THREAD FITTING AND SELF-CLEANING METERING SCREEN, WITHOUT FLOW CONTROL. PROVIDE 9V DC LATCHING SOLENOID FOR BATTERY OPERATED TIMERS
- ⑥ PVC SCHEDULE 80 T.O.E. NIPPLE
- ⑦ LATERAL PIPE WITH PVC SCHEDULE 40 ADAPTER
- ⑧ BRICK SUPPORTS (4)
- ⑨ 6" DEPTH OF 3/4" WASHED GRAVEL



- ① FINISH GRADE
- ② STANDARD VALVE BOX
- ③ 18-24 INCH LINEAR LENGTH OF CONTROL WIRE WITH WATERPROOF CONNECTORS AND ZONE ID TAG: FOR 9V DC LATCHING SOLENOID CONNECT BLACK WIRE TO COMMON AND RED WIRE TO STATION WIRE
- ④ IRRIGATION MAINLINE AND FITTINGS PER SPECIFICATIONS
- ⑤ K-RAIN PROSERIES 100 VALVE MODEL 7075-9VDC-SL: REMOTE CONTROL VALVE WITH 3/4" SLIP FITTING, SELF-CLEANING METERING SCREEN, AND FLOW CONTROL. PROVIDE 9V DC LATCHING SOLENOID FOR BATTERY OPERATED TIMERS
- ⑥ PVC SCHEDULE 80 NIPPLE
- ⑦ LATERAL PIPE WITH PVC SCHEDULE 40 ADAPTER
- ⑧ BRICK SUPPORTS (4)
- ⑨ 6" DEPTH OF 3/4" WASHED GRAVEL



- ① FINISH GRADE
- ② STANDARD VALVE BOX
- ③ 18-24 INCH LINEAR LENGTH OF CONTROL WIRE WITH WATERPROOF CONNECTORS AND ZONE ID TAG: FOR 9V DC LATCHING SOLENOID CONNECT BLACK WIRE TO COMMON AND RED WIRE TO STATION WIRE
- ④ IRRIGATION MAINLINE AND FITTINGS PER SPECIFICATIONS
- ⑤ K-RAIN PROSERIES 100 VALVE MODEL 7075-9VDC-SL-NFC: REMOTE CONTROL VALVE WITH 3/4" SLIP FITTING AND SELF-CLEANING METERING SCREEN, WITHOUT FLOW CONTROL. PROVIDE 9V DC LATCHING SOLENOID FOR BATTERY OPERATED TIMERS
- ⑥ PVC SCHEDULE 80 NIPPLE
- ⑦ LATERAL PIPE WITH PVC SCHEDULE 40 ADAPTER
- ⑧ BRICK SUPPORTS (4)
- ⑨ 6" DEPTH OF 3/4" WASHED GRAVEL