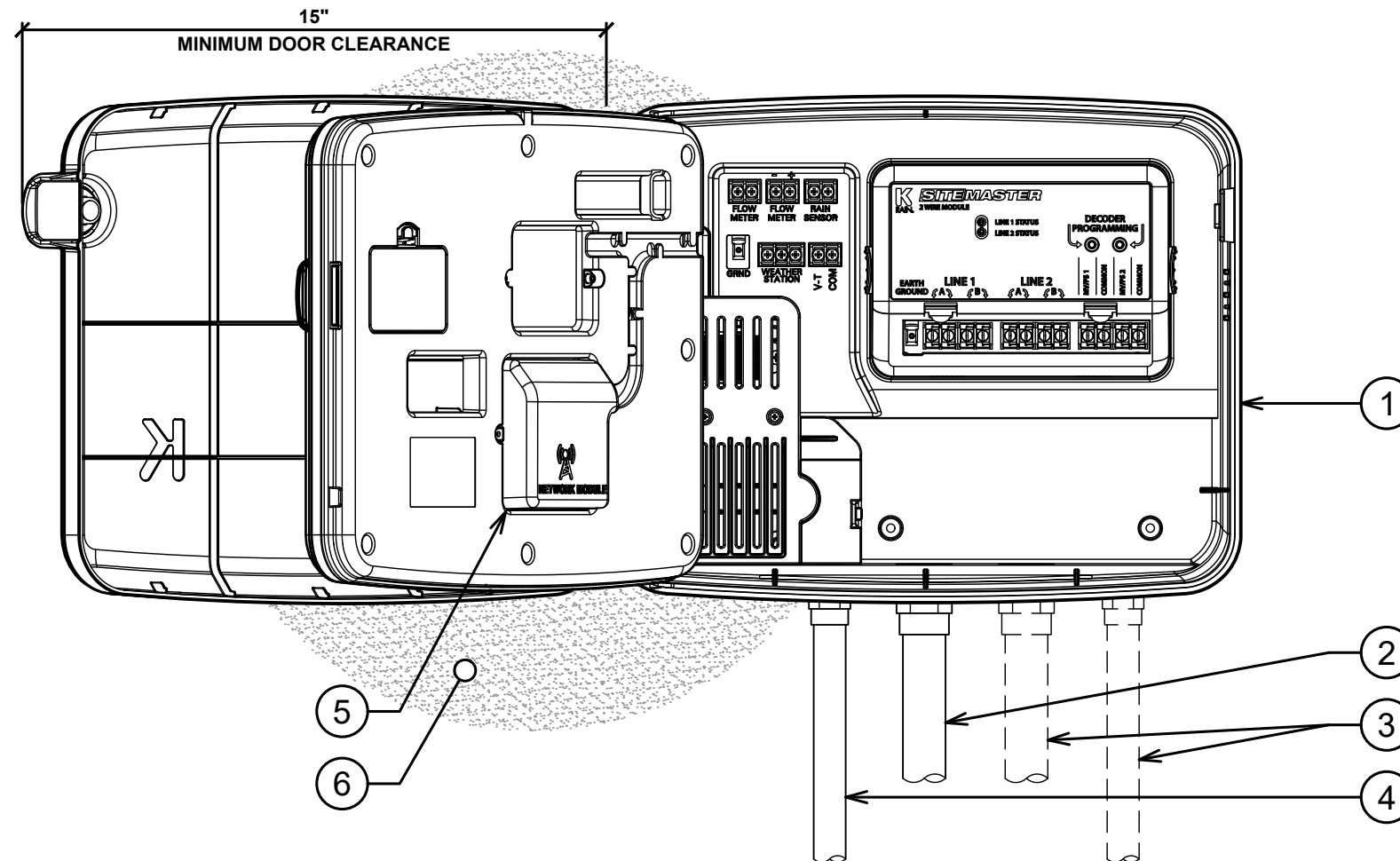


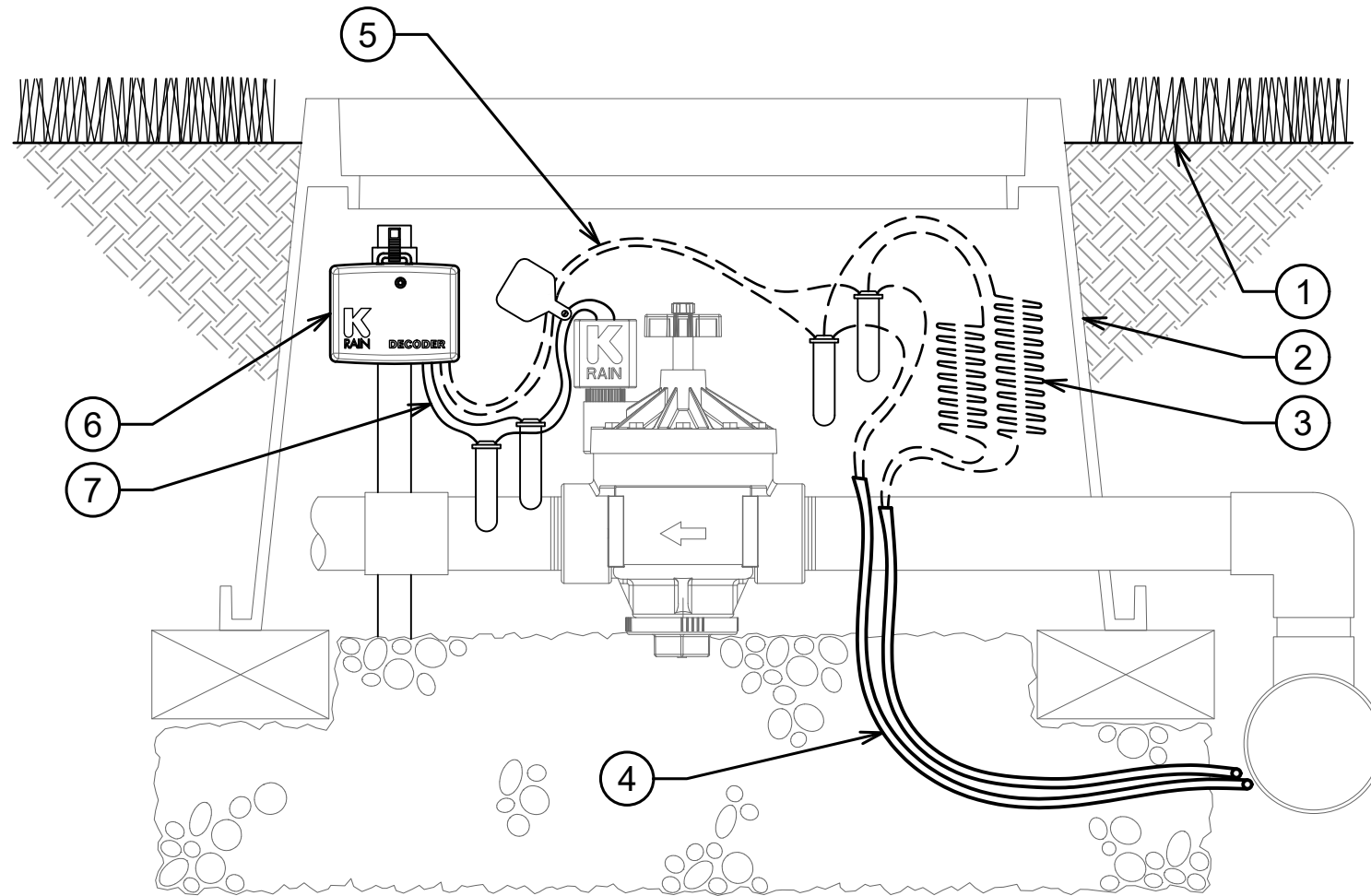
- ① K-RAIN SITEMASTER  
MODEL 3400: SITEMASTER MODULAR  
OUTDOOR 2-WIRE IRRIGATION CONTROLLER  
WITH 2-WIRE MODULE, 40 VAC AND 100 VAC  
INTERNAL TRANSFORMERS
- ② IRRIGATION 2-WIRE DECODER CABLE  
INSTALLED IN CONDUIT: SIZE AND TYPE PER  
LOCAL CODES
- ③ OPTIONAL CONDUITS FOR ADDITIONAL WIRE  
PATH OR SENSOR WIRE
- ④ ELECTRICAL POWER SUPPLY INSTALLED IN  
CONDUIT: SIZE AND TYPE PER LOCAL CODES
- ⑤ WALL OR CONTROLLER MOUNTING SURFACE

**00** K-RAIN SITEMASTER WALL MOUNT CONTROLLER

3" = 1'-0"



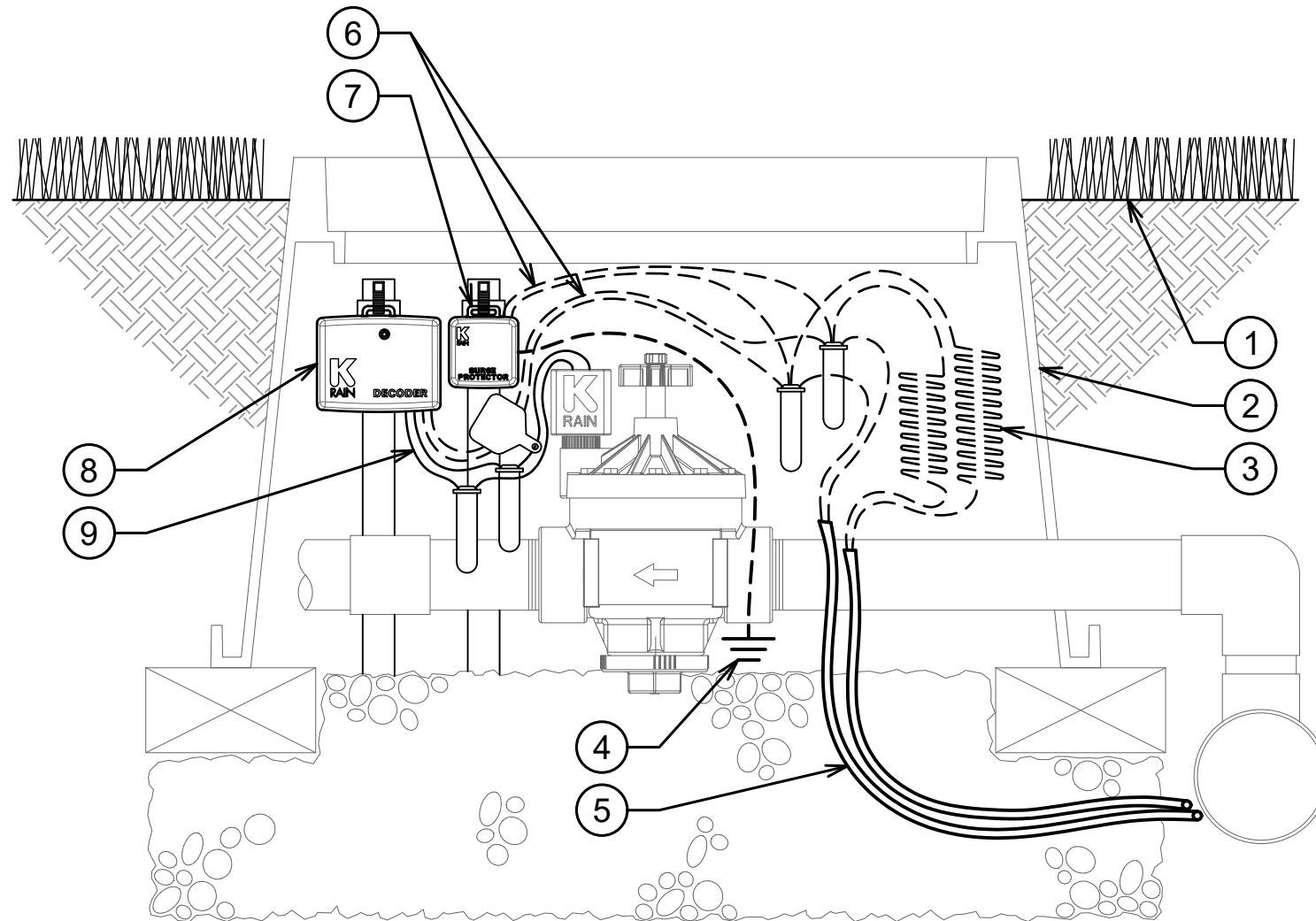
- ① K-RAIN SITEMASTER  
MODEL 3400: SITEMASTER MODULAR  
OUTDOOR 2-WIRE IRRIGATION CONTROLLER  
WITH 2-WIRE MODULE, 40 VAC AND 100 VAC  
INTERNAL TRANSFORMERS
- ② IRRIGATION 2-WIRE DECODER CABLE  
INSTALLED IN CONDUIT: SIZE AND TYPE PER  
LOCAL CODES
- ③ OPTIONAL CONDUITS FOR ADDITIONAL WIRE  
PATH OR SENSOR WIRE
- ④ ELECTRICAL POWER SUPPLY INSTALLED IN  
CONDUIT: SIZE AND TYPE PER LOCAL CODES
- ⑤ K-RAIN SITEMASTER NETWORK MODULE  
MODEL 3404
- ⑥ WALL OR CONTROLLER MOUNTING SURFACE



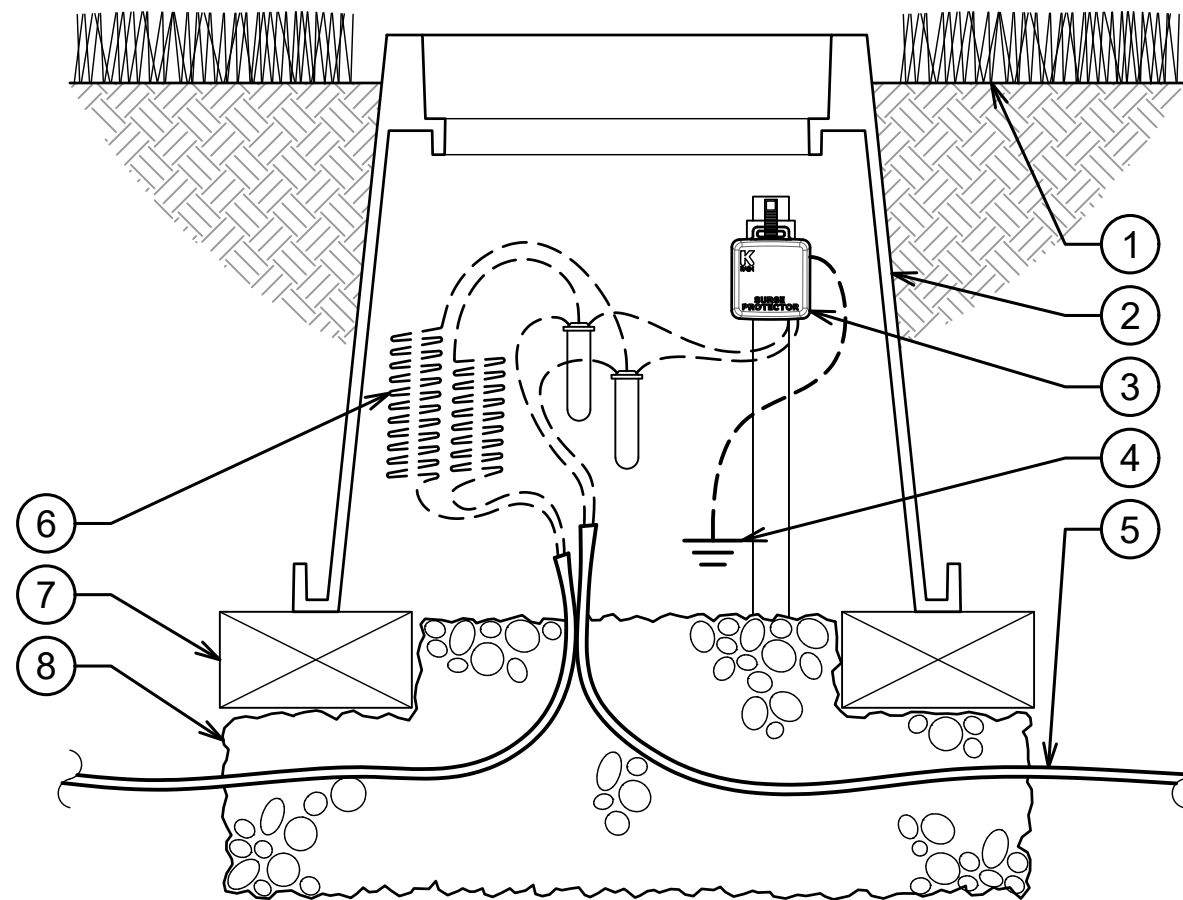
- ① FINISH GRADE
- ② REMOTE CONTROL VALVE IN STANDARD VALVE BOX: REFER TO DETAIL
- ③ 18-24 INCH LINEAR LENGTH OF 2-WIRE PATH COIL WITH DBR/Y-6 WATERPROOF CONNECTORS (2)
- ④ 2-WIRE JACKETED DECODER CABLE, SIZED PER SPECIFICATIONS
- ⑤ RED AND BLACK WIRES FROM DECODER MODULE TO 2-WIRE PATH
- ⑥ K-RAIN SITEMASTER SINGLE STATION DECODER MODEL 3401: SECURE WITH ZIP TIES TO 3/4" SLEEVE, ATTACH TO 1/2" PVC STAKE
- ⑦ YELLOW IRRIGATION CONTROL WIRE TO VALVE SOLENOIDS WITH ID TAG AND WATERPROOF CONNECTORS (2): MAXIMUM LENGTH 100 FEET

**00** K-RAIN SITEMASTER: SINGLE STATION DECODER

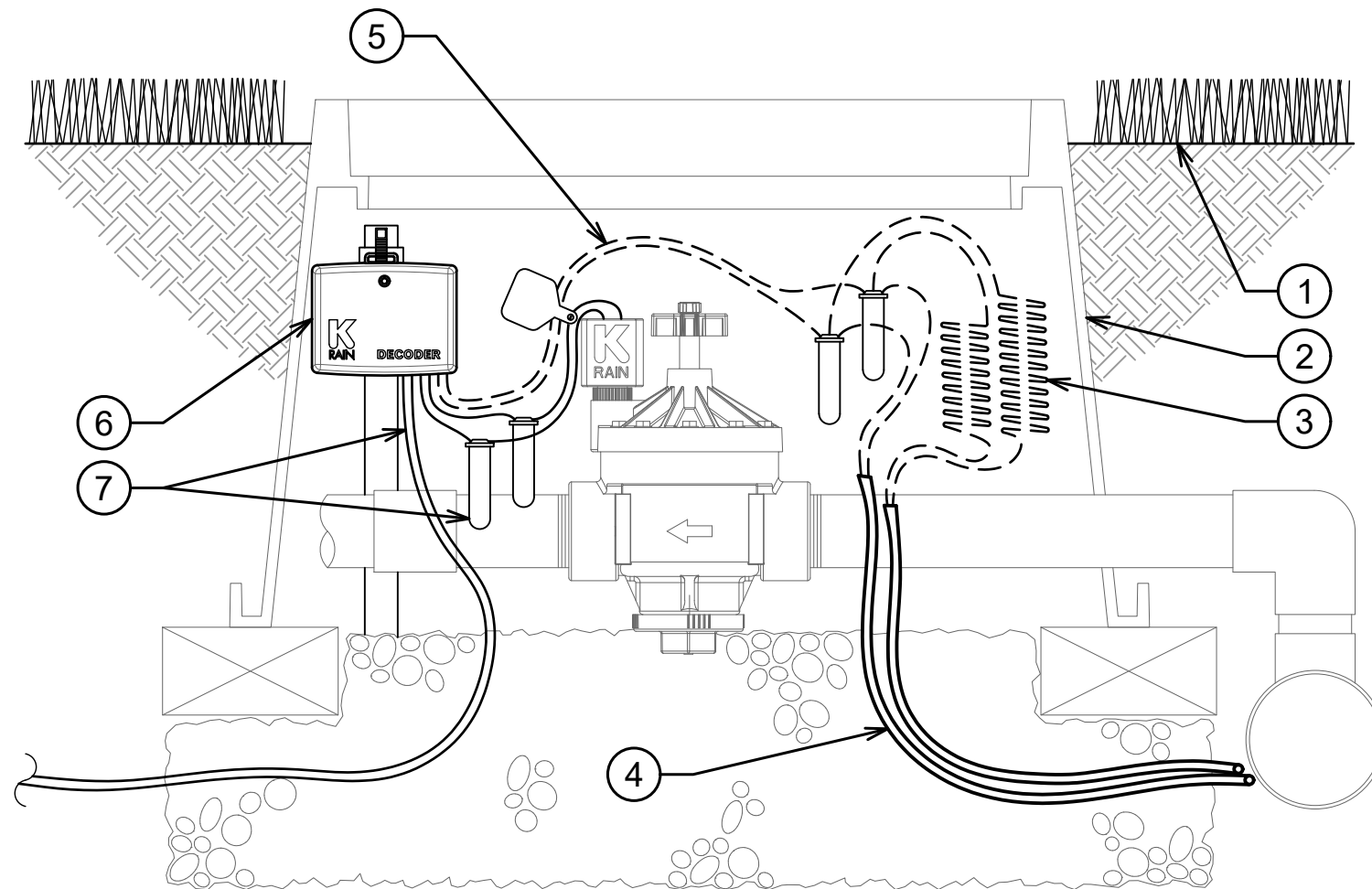
3" = 1'-0"



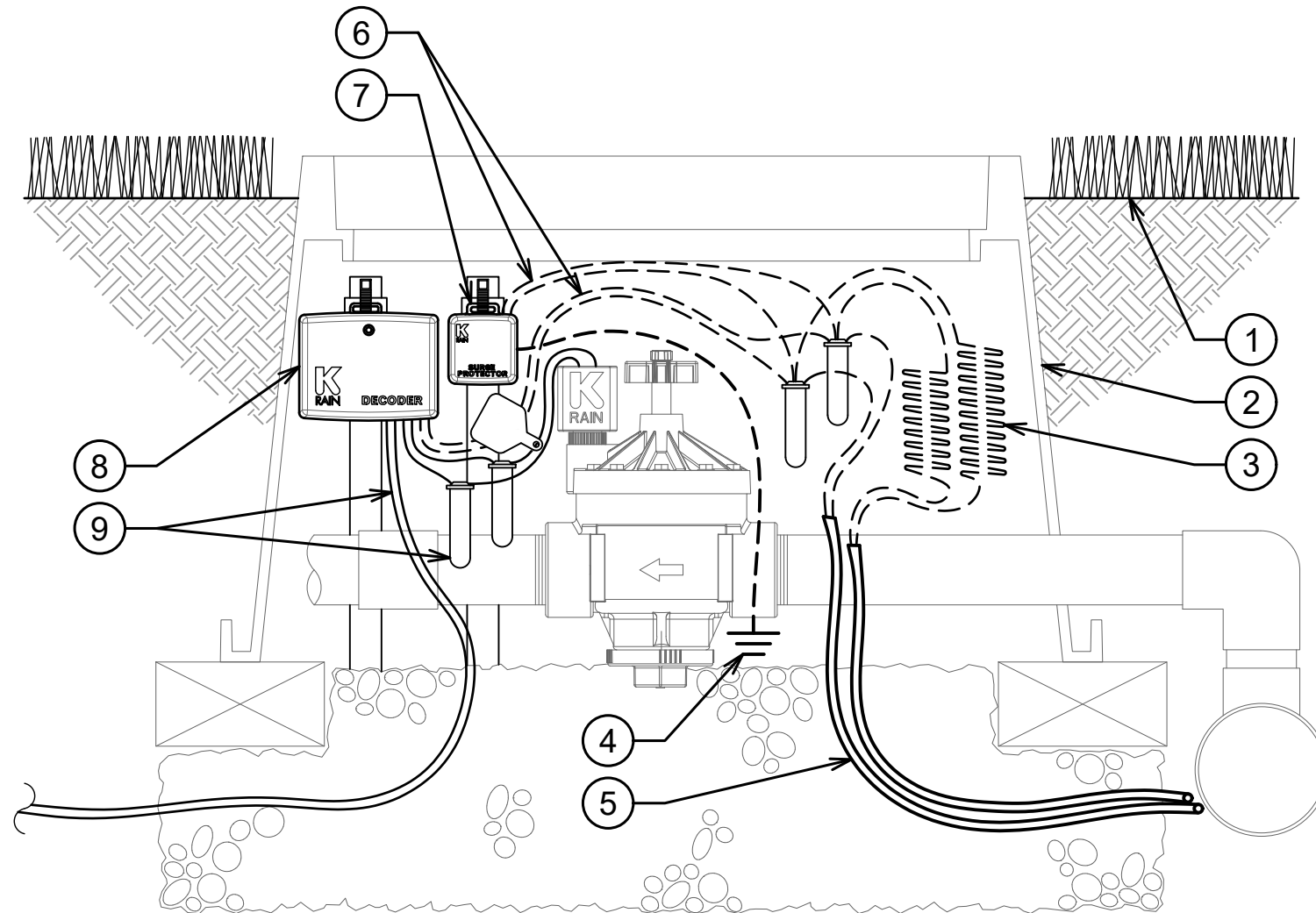
- ① FINISH GRADE
- ② REMOTE CONTROL VALVE IN STANDARD VALVE BOX: REFER TO DETAIL
- ③ 18-24 INCH LINEAR LENGTH OF 2-WIRE PATH COIL WITH DBR/Y-6 WATERPROOF CONNECTORS (2)
- ④ GROUNDING WIRE TO GROUND PLATE OR ROD (10 OHMS RESISTANCE OR LESS), INSTALLED PER ASIC GUIDELINES
- ⑤ 2-WIRE JACKETED DECODER CABLE, SIZED PER SPECIFICATIONS
- ⑥ RED AND BLACK WIRES FROM DECODER MODULE TO 2-WIRE PATH
- ⑦ K-RAIN SITEMASTER SURGE PROTECTOR MODEL 3402: SECURE WITH ZIP TIES TO 3/4" SLEEVE, ATTACH TO 1/2" PVC STAKE
- ⑧ K-RAIN SITEMASTER SINGLE STATION DECODER MODEL 3401: SECURE WITH ZIP TIES TO 3/4" SLEEVE, ATTACH TO 1/2" PVC STAKE
- ⑨ YELLOW IRRIGATION CONTROL WIRE TO VALVE SOLENOID WITH ID TAG AND WATERPROOF CONNECTORS (2): MAXIMUM LENGTH 100 FEET



- ① FINISH GRADE
- ② 10" ROUND VALVE BOX
- ③ K-RAIN SITEMASTER SURGE PROTECTOR MODEL 3402: SECURE WITH ZIP TIES TO 3/4" SLEEVE, ATTACH TO 1/2" PVC STAKE
- ④ GROUNDING WIRE TO GROUND PLATE OR ROD (10 OHMS RESISTANCE OR LESS), INSTALLED PER ASIC GUIDELINES
- ⑤ 2-WIRE JACKETED DECODER CABLE, SIZED PER SPECIFICATIONS
- ⑥ 18-24 INCH LINEAR LENGTH OF 2-WIRE PATH COIL WITH DBR/Y-6 WATERPROOF CONNECTORS (2)
- ⑦ BRICK SUPPORTS (4)
- ⑧ 6" DEPTH OF 3/4" WASHED GRAVEL



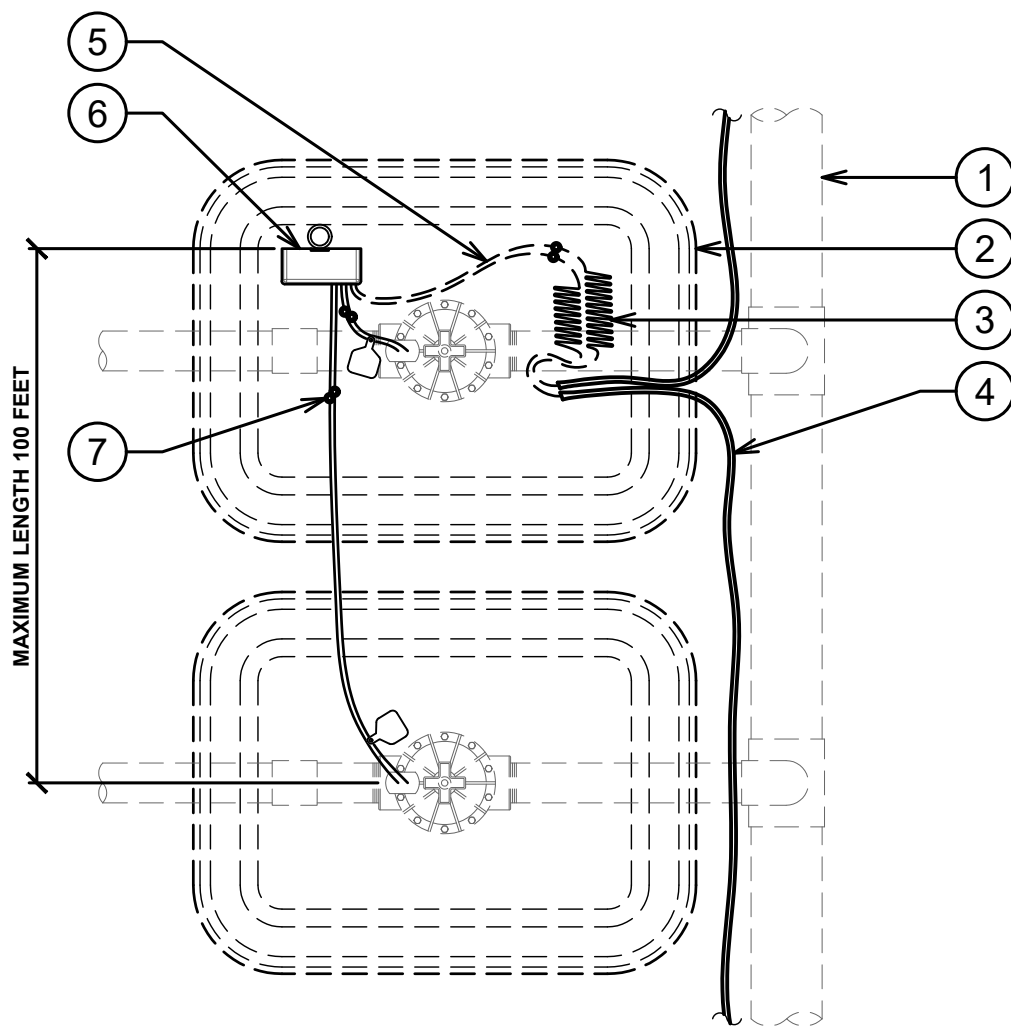
- ① FINISH GRADE
- ② REMOTE CONTROL VALVE IN STANDARD VALVE BOX: REFER TO DETAIL
- ③ 18-24 INCH LINEAR LENGTH OF 2-WIRE PATH COIL WITH DBR/Y-6 WATERPROOF CONNECTORS (2)
- ④ 2-WIRE JACKETED DECODER CABLE, SIZED PER SPECIFICATIONS
- ⑤ RED AND BLACK WIRES FROM DECODER MODULE TO 2-WIRE PATH
- ⑥ K-RAIN SITEMASTER TWO STATION DECODER MODEL 3405: SECURE WITH ZIP TIES TO 3/4" SLEEVE, ATTACH TO 1/2" PVC STAKE
- ⑦ YELLOW IRRIGATION CONTROL WIRE TO VALVE SOLENOIDS WITH ID TAGS (2) AND WATERPROOF CONNECTORS (4): MAXIMUM LENGTH 100 FEET



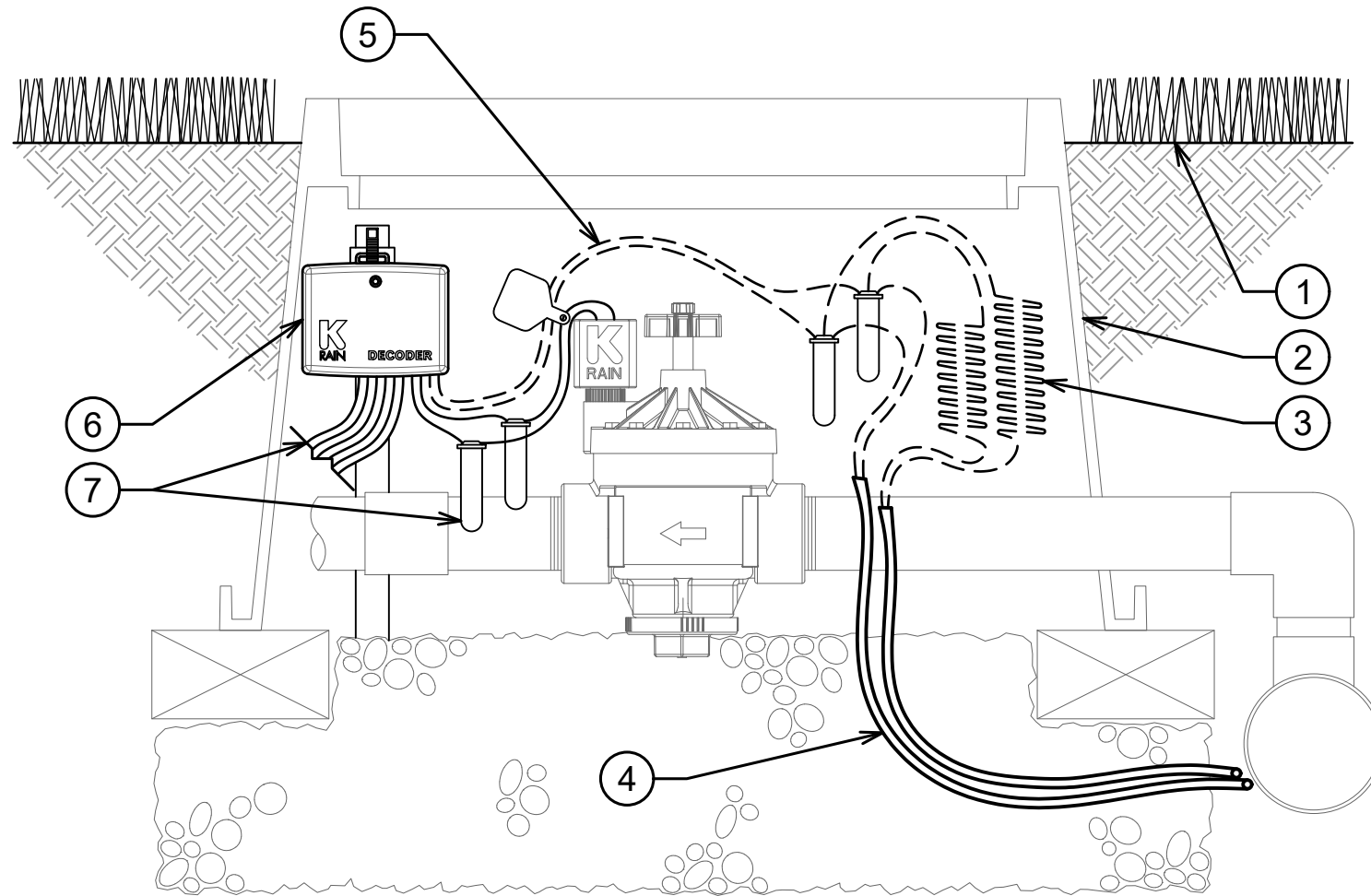
- ① FINISH GRADE
- ② REMOTE CONTROL VALVE IN STANDARD VALVE BOX: REFER TO DETAIL
- ③ 18-24 INCH LINEAR LENGTH OF 2-WIRE PATH COIL WITH DBR/Y-6 WATERPROOF CONNECTORS (2)
- ④ GROUNDING WIRE TO GROUND PLATE OR ROD (10 OHMS RESISTANCE OR LESS), INSTALLED PER ASIC GUIDELINES
- ⑤ 2-WIRE JACKETED DECODER CABLE, SIZED PER SPECIFICATIONS
- ⑥ RED AND BLACK WIRES FROM DECODER MODULE TO 2-WIRE PATH
- ⑦ K-RAIN SITEMASTER SURGE PROTECTOR MODEL 3402: SECURE WITH ZIP TIES TO 3/4" SLEEVE, ATTACH TO 1/2" PVC STAKE
- ⑧ K-RAIN SITEMASTER TWO STATION DECODER MODEL 3405: SECURE WITH ZIP TIES TO 3/4" SLEEVE, ATTACH TO 1/2" PVC STAKE
- ⑨ YELLOW IRRIGATION CONTROL WIRE TO VALVE SOLENOIDS WITH ID TAGS (2) AND WATERPROOF CONNECTORS (4): MAXIMUM LENGTH 100 FEET



- ① IRRIGATION MAINLINE PER PLAN
- ② REMOTE CONTROL VALVE IN STANDARD VALVE BOX: REFER TO DETAIL
- ③ 18-24 INCH LINEAR LENGTH OF 2-WIRE PATH COIL WITH DBR/Y-6 WATERPROOF CONNECTORS (2)
- ④ 2-WIRE JACKETED DECODER CABLE, SIZED PER SPECIFICATIONS
- ⑤ RED AND BLACK WIRES FROM DECODER MODULE TO 2-WIRE PATH
- ⑥ K-RAIN SITEMASTER TWO STATION DECODER MODEL 3405: SECURE WITH ZIP TIES TO 3/4" SLEEVE, ATTACH TO 1/2" PVC STAKE
- ⑦ YELLOW IRRIGATION CONTROL WIRE TO VALVE SOLENOIDS WITH ID TAGS (2) AND WATERPROOF CONNECTORS (4): MAXIMUM LENGTH 100 FEET



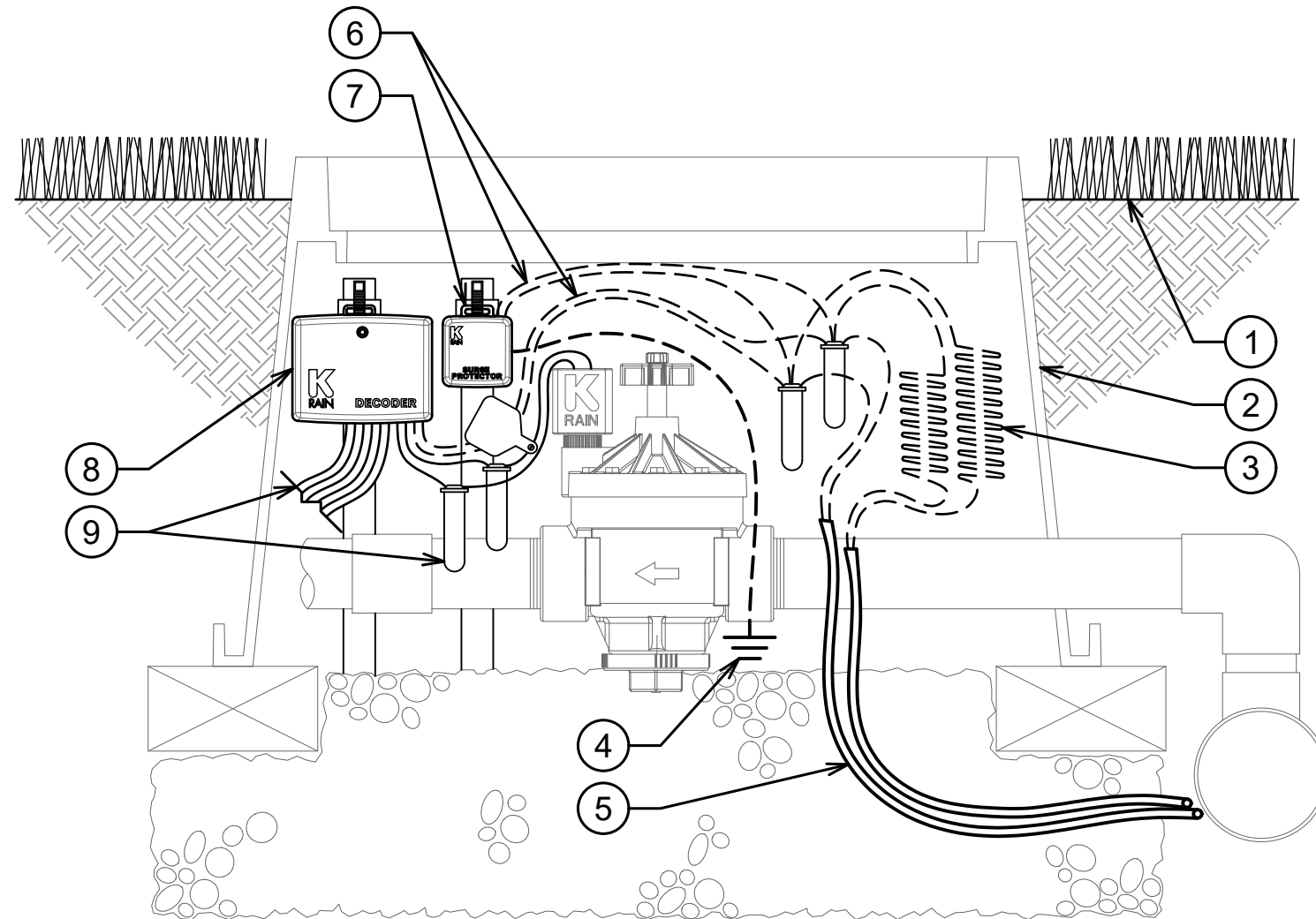




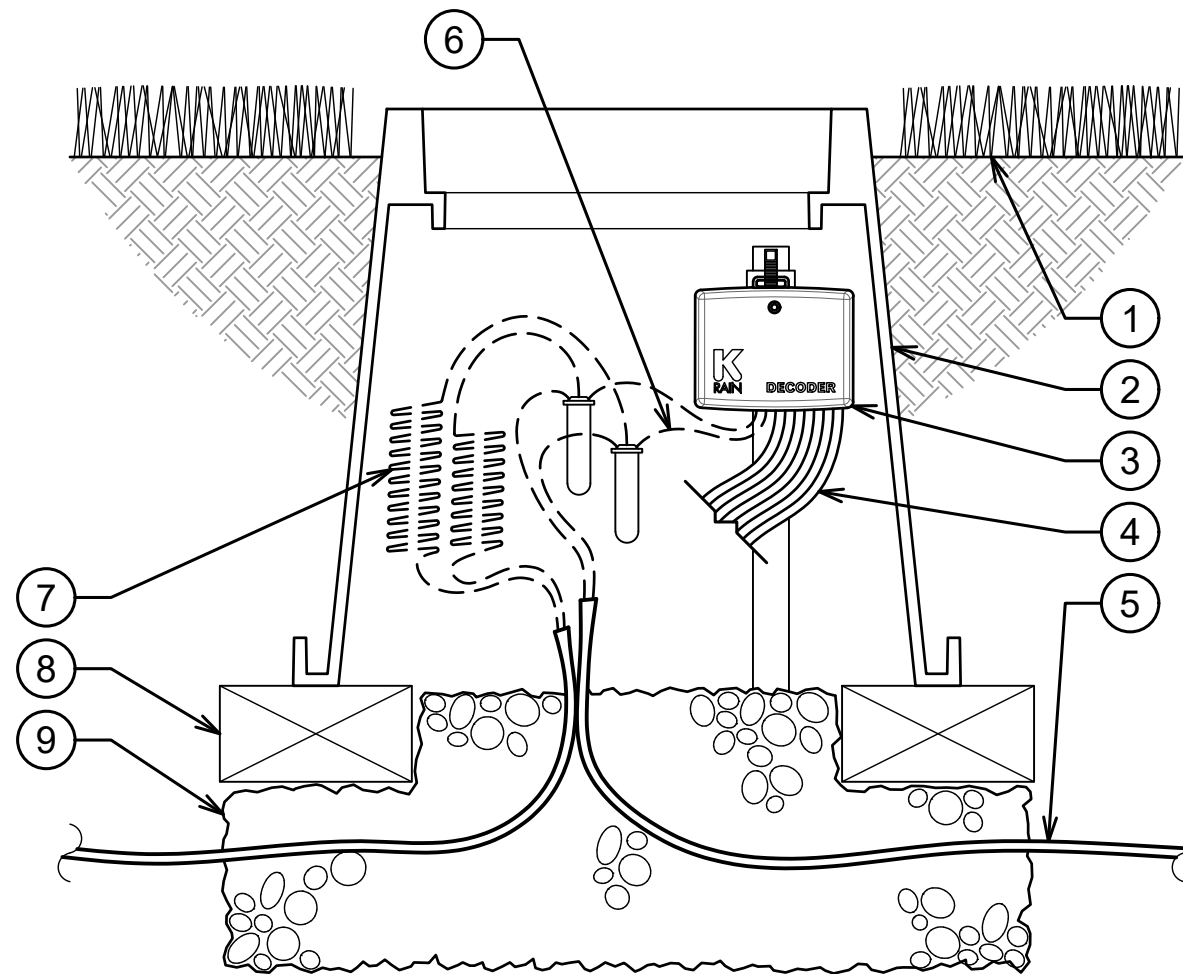
- ① FINISH GRADE
- ② REMOTE CONTROL VALVE IN STANDARD VALVE BOX: REFER TO DETAIL
- ③ 18-24 INCH LINEAR LENGTH OF 2-WIRE PATH COIL WITH DBR/Y-6 WATERPROOF CONNECTORS (2)
- ④ 2-WIRE JACKETED DECODER CABLE, SIZED PER SPECIFICATIONS
- ⑤ RED AND BLACK WIRES FROM DECODER MODULE TO 2-WIRE PATH
- ⑥ K-RAIN SITEMASTER FOUR STATION DECODER MODEL 3406: SECURE WITH ZIP TIES TO 3/4" SLEEVE, ATTACH TO 1/2" PVC STAKE
- ⑦ YELLOW IRRIGATION CONTROL WIRE TO VALVE SOLENOIDS WITH ID TAGS (4) AND WATERPROOF CONNECTORS (8): MAXIMUM LENGTH 100 FEET

**00** K-RAIN SITEMASTER: FOUR STATION DECODER

3" = 1'-0"

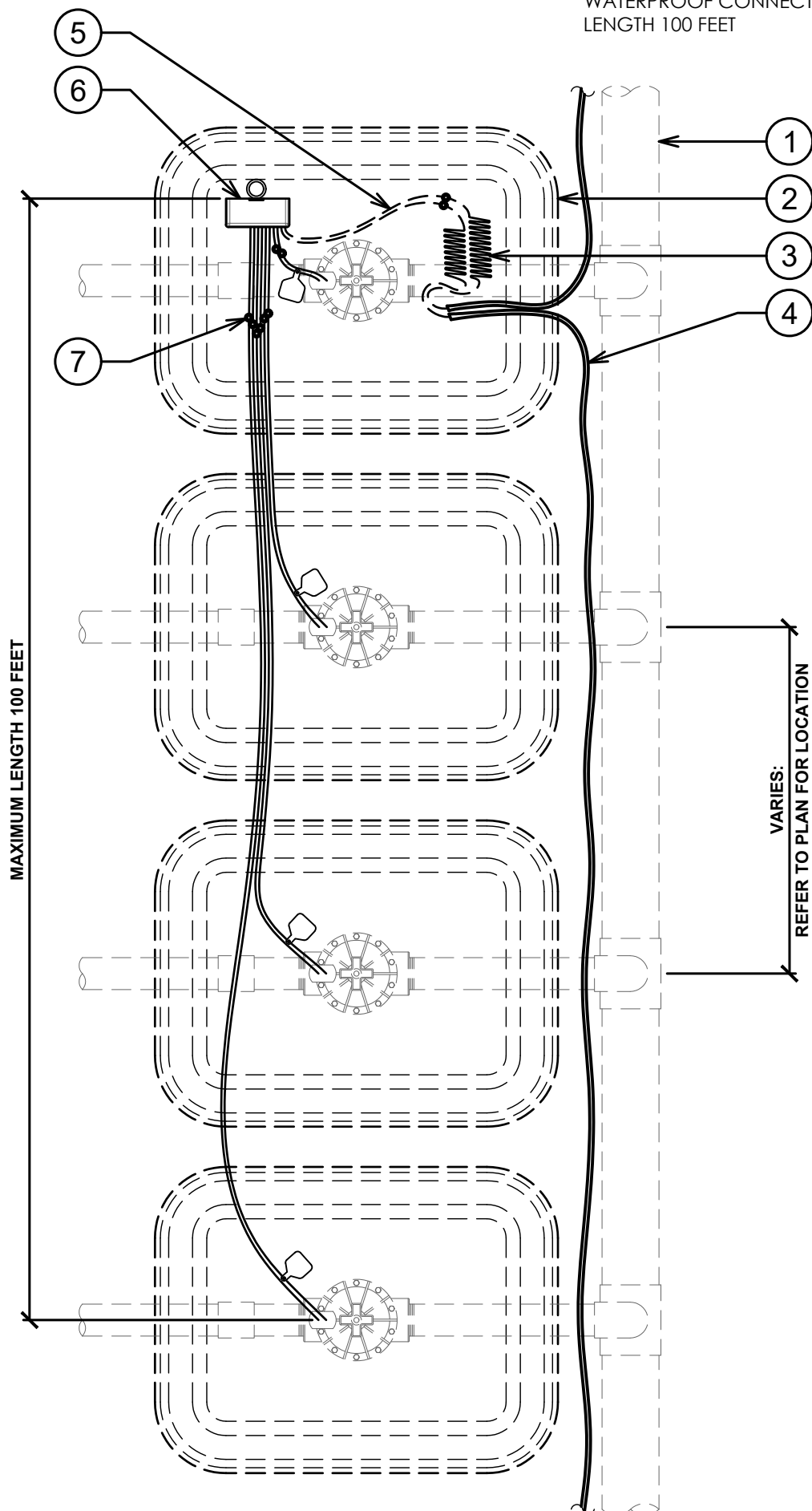


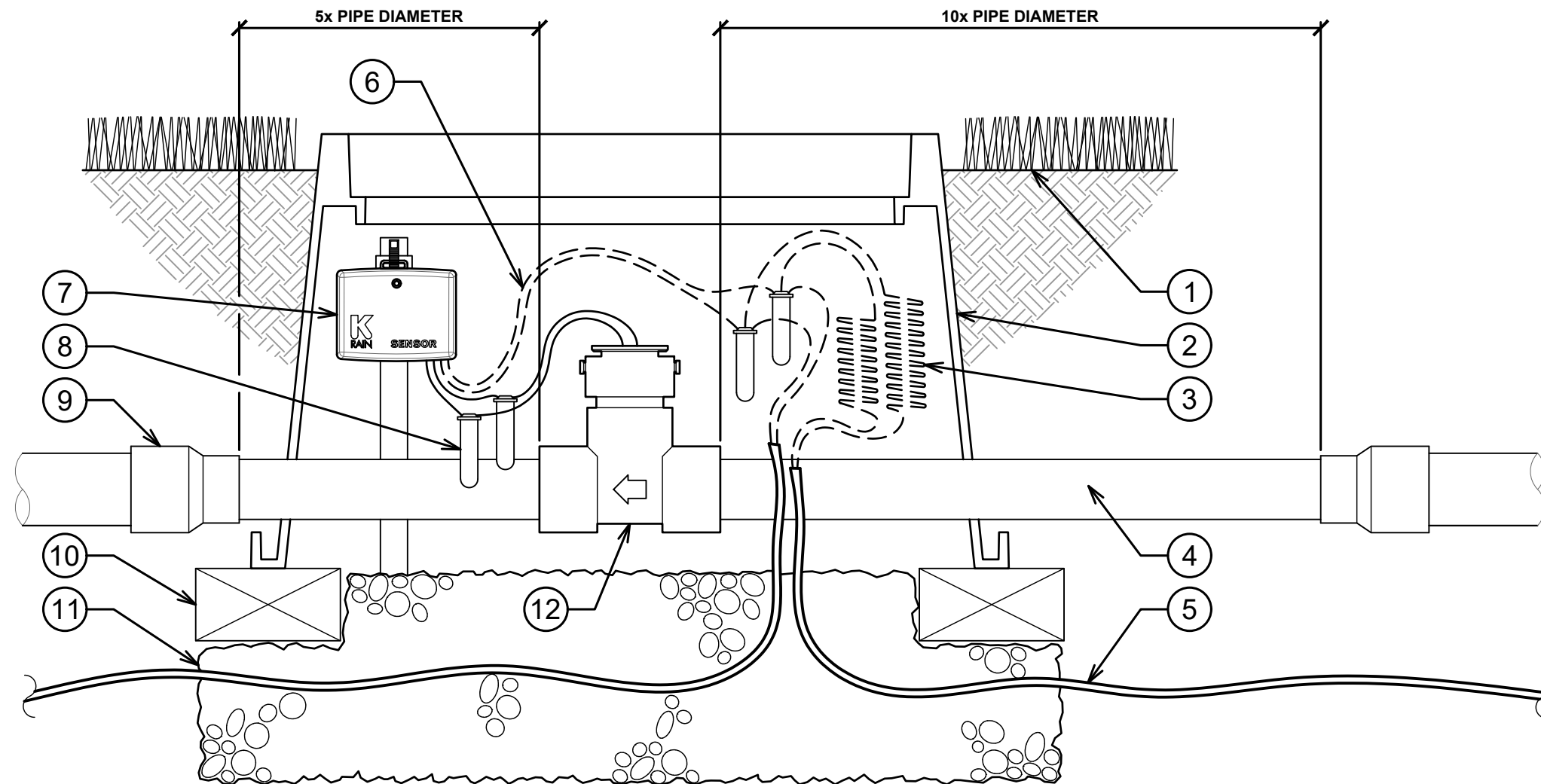
- ① FINISH GRADE
- ② REMOTE CONTROL VALVE IN STANDARD VALVE BOX: REFER TO DETAIL
- ③ 18-24 INCH LINEAR LENGTH OF 2-WIRE PATH COIL WITH DBR/Y-6 WATERPROOF CONNECTORS (2)
- ④ GROUNDING WIRE TO GROUND PLATE OR ROD (10 OHMS RESISTANCE OR LESS), INSTALLED PER ASIC GUIDELINES
- ⑤ 2-WIRE JACKETED DECODER CABLE, SIZED PER SPECIFICATIONS
- ⑥ RED AND BLACK WIRES FROM DECODER MODULE TO 2-WIRE PATH
- ⑦ K-RAIN SITEMASTER SURGE PROTECTOR MODEL 3402: SECURE WITH ZIP TIES TO 3/4" SLEEVE, ATTACH TO 1/2" PVC STAKE
- ⑧ K-RAIN SITEMASTER FOUR STATION DECODER MODEL 3406: SECURE WITH ZIP TIES TO 3/4" SLEEVE, ATTACH TO 1/2" PVC STAKE
- ⑨ YELLOW IRRIGATION CONTROL WIRE TO VALVE SOLENOIDS WITH ID TAGS (4) AND WATERPROOF CONNECTORS (8): MAXIMUM LENGTH 100 FEET



- ① FINISH GRADE
- ② 10" ROUND VALVE BOX
- ③ K-RAIN SITEMASTER FOUR STATION DECODER MODEL 3406: SECURE WITH ZIP TIES TO 3/4" SLEEVE, ATTACH TO 1/2" PVC STAKE
- ④ YELLOW IRRIGATION CONTROL WIRE TO VALVE SOLENOIDS WITH ID TAGS (4) AND WATERPROOF CONNECTORS (8): MAXIMUM LENGTH 100 FEET
- ⑤ 2-WIRE JACKETED DECODER CABLE, SIZED PER SPECIFICATIONS
- ⑥ RED AND BLACK WIRES FROM DECODER MODULE TO 2-WIRE PATH
- ⑦ 18-24 INCH LINEAR LENGTH OF 2-WIRE PATH COIL WITH DBR/Y-6 WATERPROOF CONNECTORS (2)
- ⑧ BRICK SUPPORTS (4)
- ⑨ 6" DEPTH OF 3/4" WASHED GRAVEL

- ① IRRIGATION MAINLINE PER PLAN
- ② REMOTE CONTROL VALVE IN STANDARD VALVE BOX: REFER TO DETAIL
- ③ 18-24 INCH LINEAR LENGTH OF 2-WIRE PATH COIL WITH DBR/Y-6 WATERPROOF CONNECTORS (2)
- ④ 2-WIRE JACKETED DECODER CABLE, SIZED PER SPECIFICATIONS
- ⑤ RED AND BLACK WIRES FROM DECODER MODULE TO 2-WIRE PATH
- ⑥ K-RAIN SITEMASTER FOUR STATION DECODER MODEL 3406: SECURE WITH ZIP TIES TO 3/4" SLEEVE, ATTACH TO 1/2" PVC STAKE
- ⑦ YELLOW IRRIGATION CONTROL WIRE TO VALVE SOLENOIDS WITH ID TAGS (4) AND WATERPROOF CONNECTORS (8): MAXIMUM LENGTH 100 FEET





- ① FINISH GRADE
- ② STANDARD VALVE BOX
- ③ 18-24 INCH LINEAR LENGTH OF 2-WIRE PATH COIL WITH DBR/Y-6 WATERPROOF CONNECTORS (2)
- ④ SCHEDULE 80 NIPPLE, LENGTH AS REQUIRED
- ⑤ 2-WIRE JACKETED DECODER CABLE, SIZED PER SPECIFICATIONS
- ⑥ RED AND BLACK WIRES FROM DECODER MODULE TO 2-WIRE PATH
- ⑦ K-RAIN SITEMASTER SENSOR DECODER MODEL 3408: SECURE WITH ZIP TIES TO 3/4" SLEEVE, ATTACH TO 1/2" PVC STAKE
- ⑧ YELLOW CONTROL WIRE TO FLOW SENSOR WITH WATERPROOF CONNECTORS (2)
- ⑨ REDUCER AS REQUIRED (2)
- ⑩ BRICK SUPPORTS (4)
- ⑪ 6" DEPTH OF 3/4" WASHED GRAVEL
- ⑫ K-RAIN 1-1/2" FLOW SENSOR MODEL FS228-15

**00** K-RAIN SITEMASTER: FLOW SENSOR DECODER

3" = 1'-0"