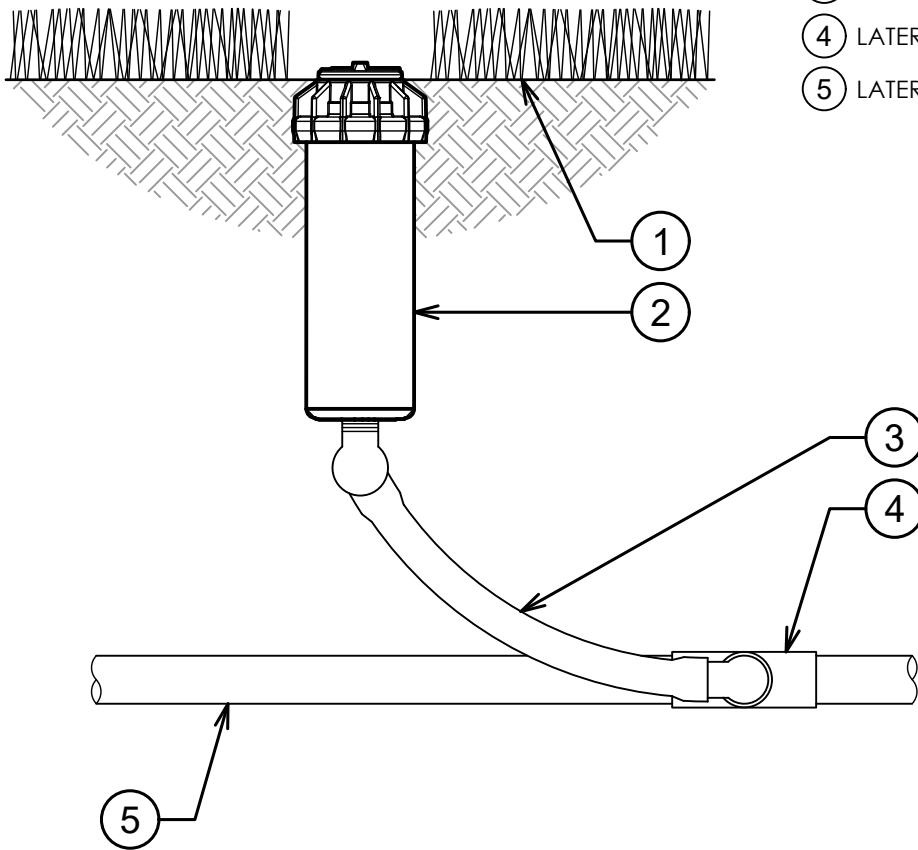


- ① FINISH GRADE
- ② K-RAIN RPS75i GEAR DRIVE ROTOR MODEL RPS75i: 4" POP-UP ROTOR WITH INTELLIGENT FLOW TECHNOLOGY™
- ③ 3/4" FLEX SWING JOINT
- ④ LATERAL TEE OR ELL
- ⑤ LATERAL PIPE

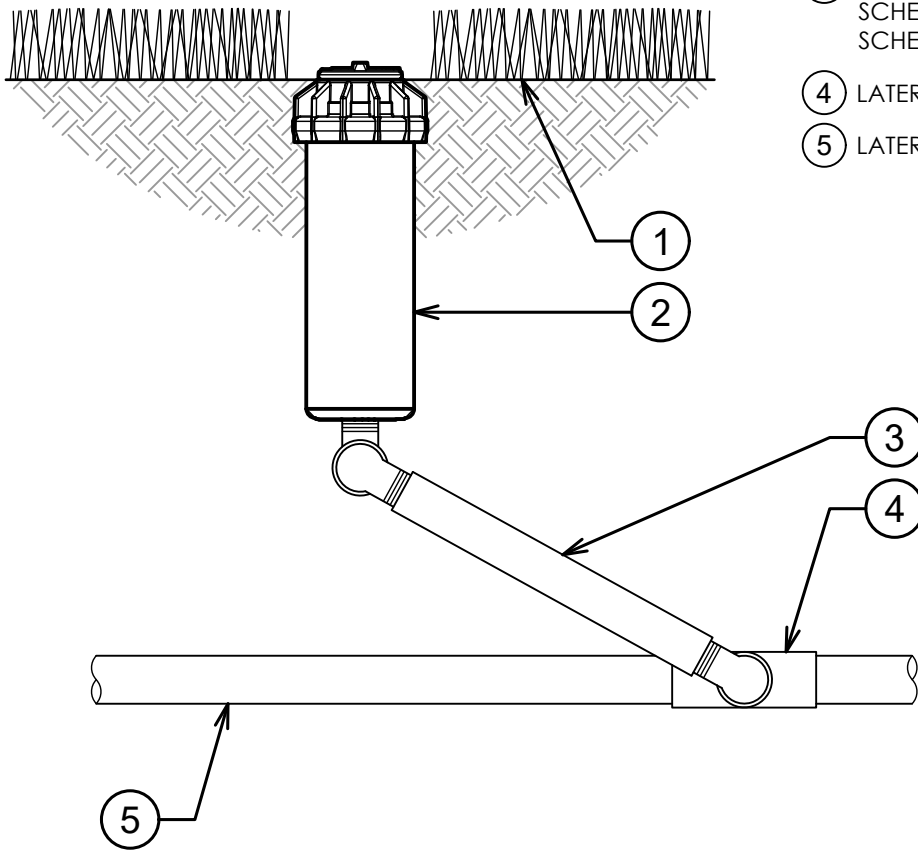


## K-RAIN RPS75i ROTOR WITH 4" POP-UP

3" = 1'-0"

[www.krain.com](http://www.krain.com)

- ① FINISH GRADE
- ② K-RAIN RPS75i GEAR DRIVE ROTOR MODEL RPS75i: 4" POP-UP ROTOR WITH INTELLIGENT FLOW TECHNOLOGY™
- ③ 3/4" RIGID SWING JOINT: SCHEDULE 80 NIPPLE, SCHEDULE 40 STREET ELLS
- ④ LATERAL TEE OR ELL
- ⑤ LATERAL PIPE

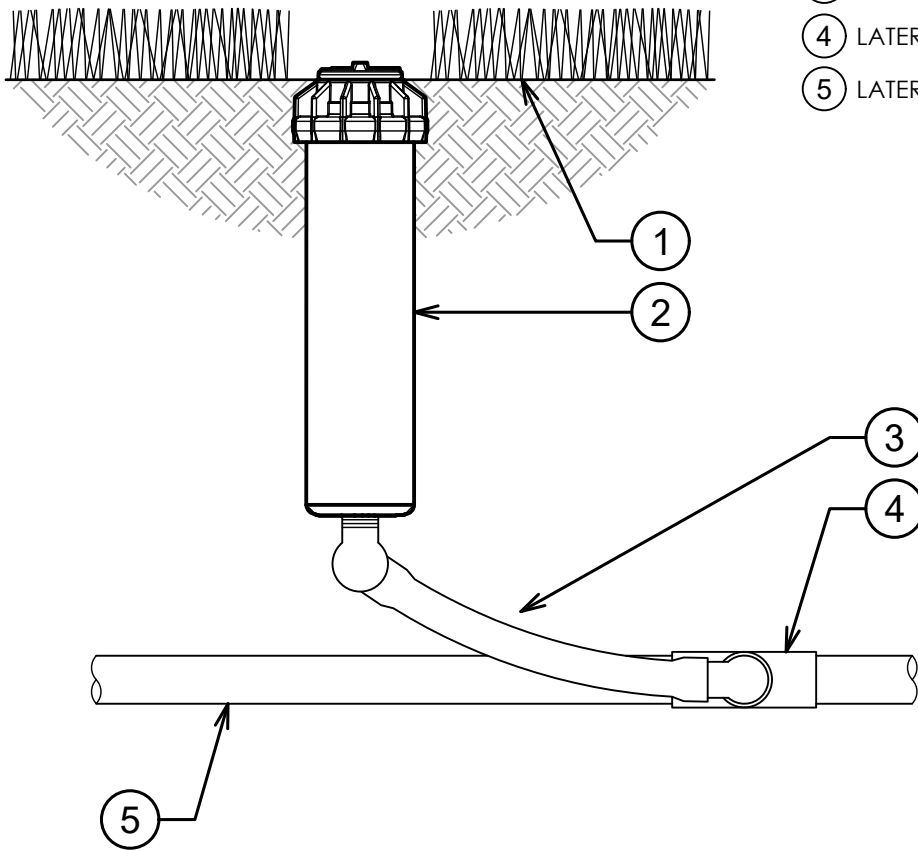


00

**K-RAIN RPS75i ROTOR WITH 4" POP-UP**

3" = 1'-0"

- ① FINISH GRADE
- ② K-RAIN RPS75i GEAR DRIVE ROTOR MODEL RPS75i-6INCH: 6" POP-UP ROTOR WITH INTELLIGENT FLOW TECHNOLOGY™
- ③ 3/4" FLEX SWING JOINT
- ④ LATERAL TEE OR ELL
- ⑤ LATERAL PIPE

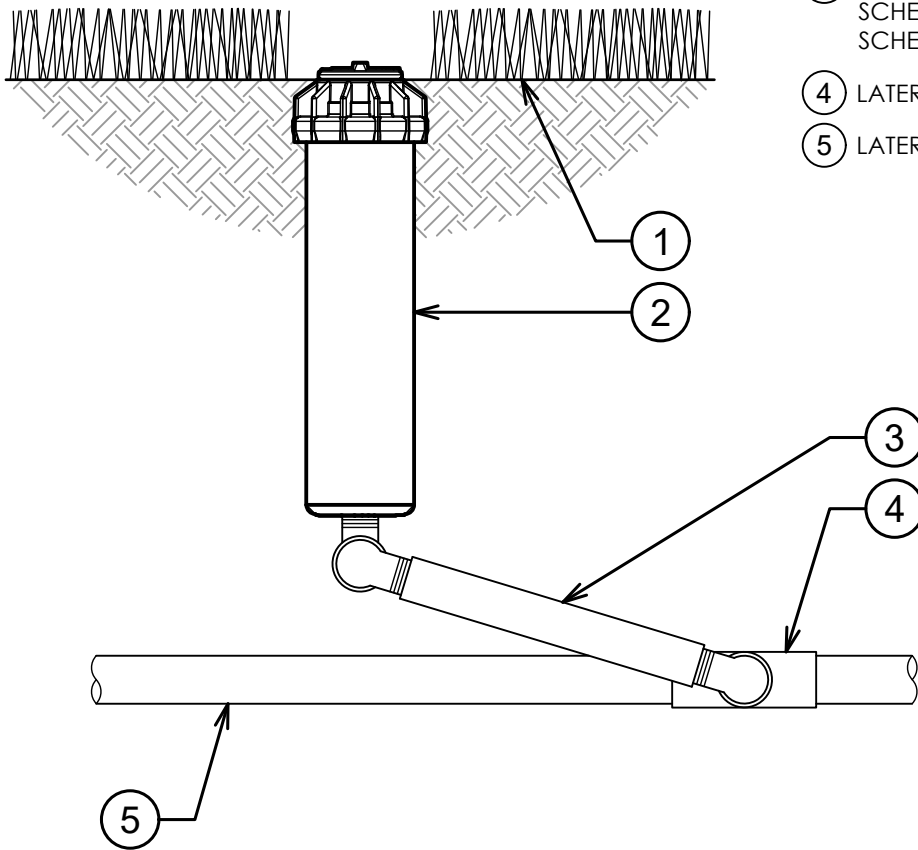


## K-RAIN RPS75i ROTOR WITH 6" POP-UP

3" = 1'-0"

[www.krain.com](http://www.krain.com)

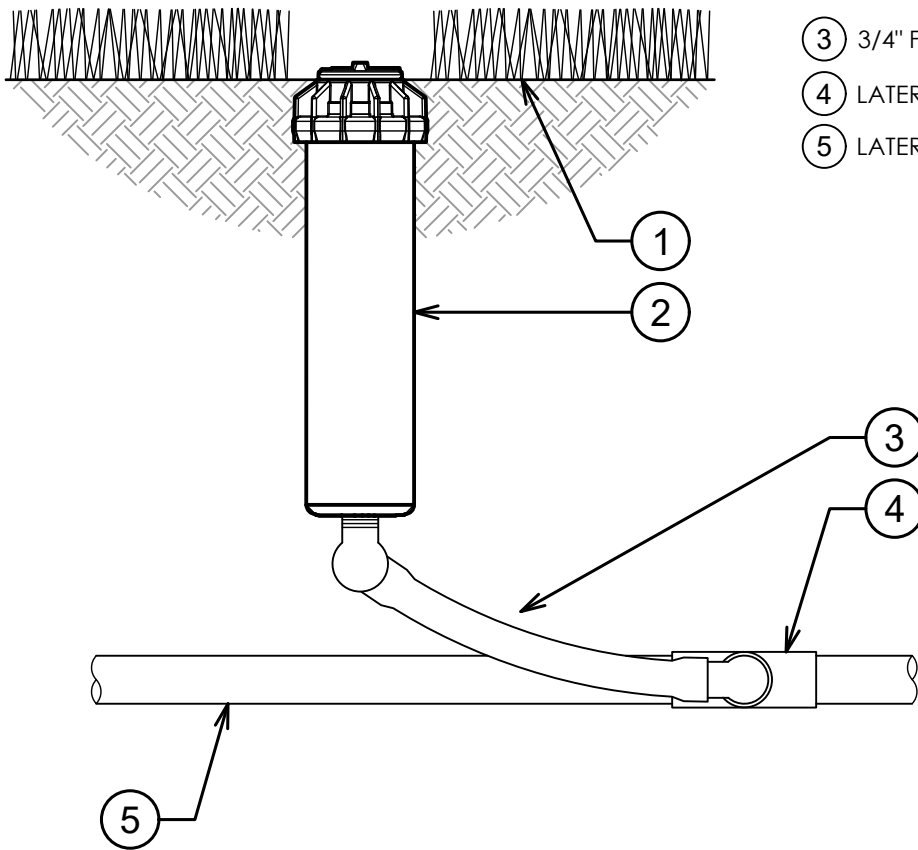
- ① FINISH GRADE
- ② K-RAIN RPS75i GEAR DRIVE ROTOR MODEL RPS75i-6INCH: 6" POP-UP ROTOR WITH INTELLIGENT FLOW TECHNOLOGY™
- ③ 3/4" RIGID SWING JOINT: SCHEDULE 80 NIPPLE, SCHEDULE 40 STREET ELLS
- ④ LATERAL TEE OR ELL
- ⑤ LATERAL PIPE



## K-RAIN RPS75i ROTOR WITH 6" POP-UP

3" = 1'-0"

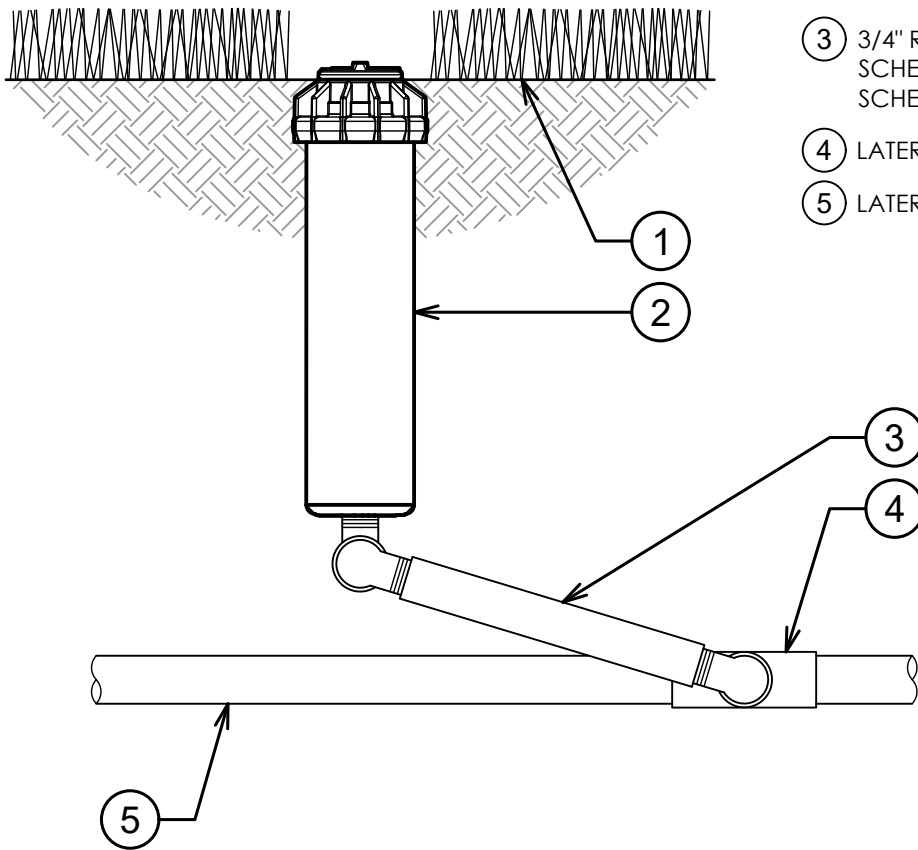
- ① FINISH GRADE
- ② K-RAIN RPS75i GEAR DRIVE ROTOR MODEL RPS75i-6INCH-CV: 6" POP-UP ROTOR WITH INTELLIGENT FLOW TECHNOLOGY™ AND CHECK VALVE
- ③ 3/4" FLEX SWING JOINT
- ④ LATERAL TEE OR ELL
- ⑤ LATERAL PIPE

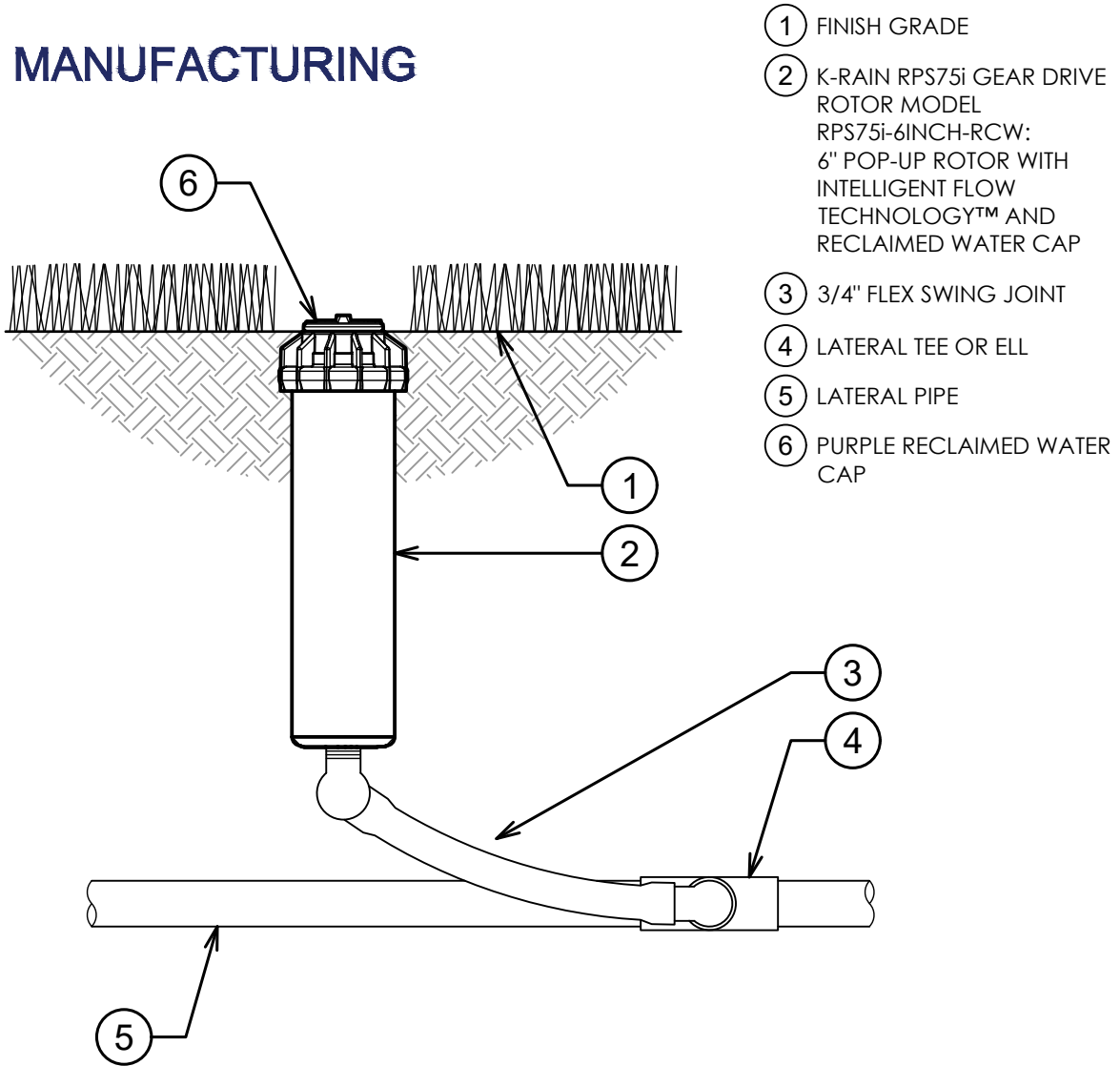


## K-RAIN RPS75i ROTOR WITH 6" POP-UP

3" = 1'-0"

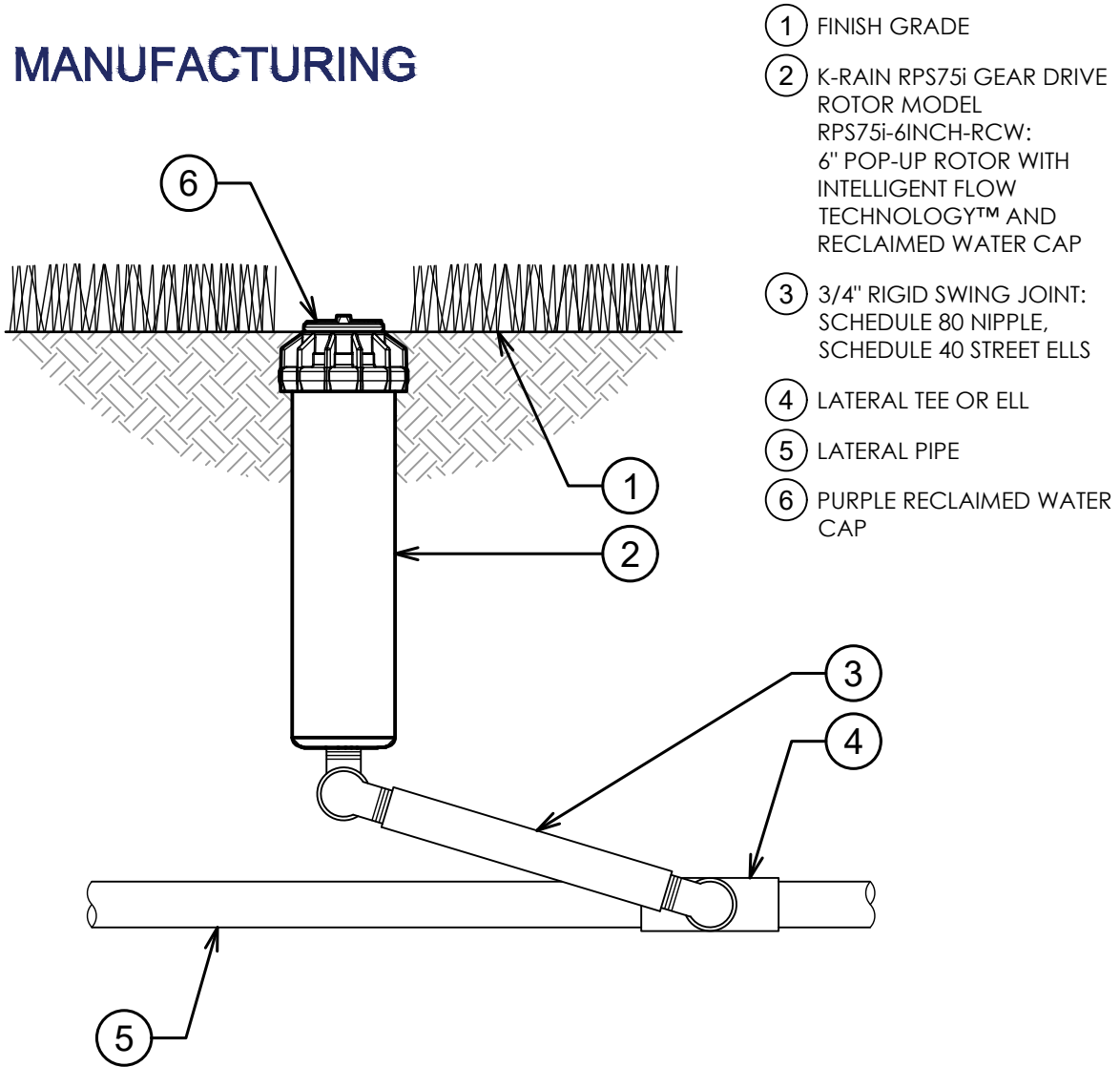
- ① FINISH GRADE
- ② K-RAIN RPS75i GEAR DRIVE ROTOR MODEL RPS75i-6INCH-CV: 6" POP-UP ROTOR WITH INTELLIGENT FLOW TECHNOLOGY™ AND CHECK VALVE
- ③ 3/4" RIGID SWING JOINT: SCHEDULE 80 NIPPLE, SCHEDULE 40 STREET ELLS
- ④ LATERAL TEE OR ELL
- ⑤ LATERAL PIPE





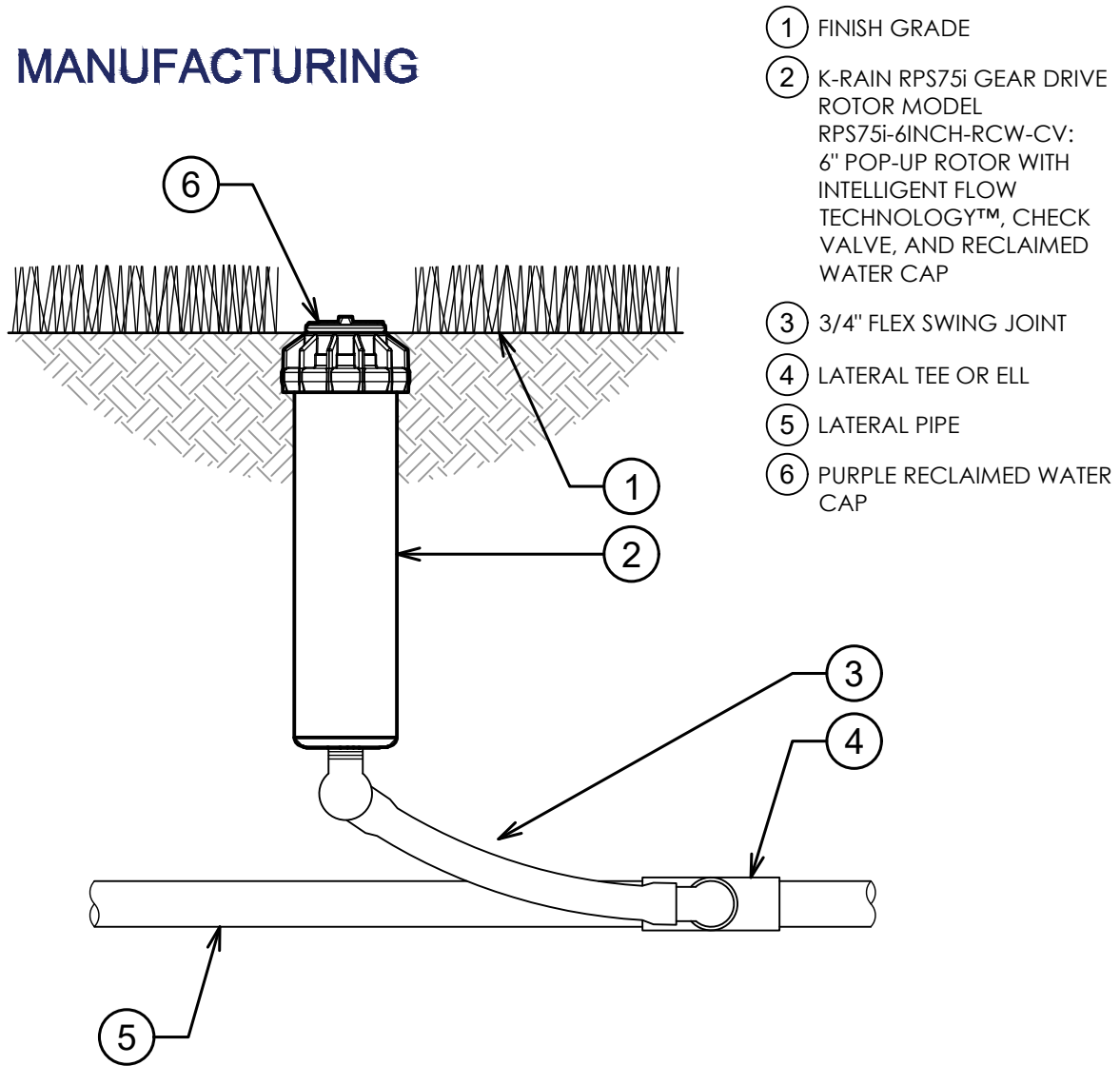
**K-RAIN RPS75i ROTOR WITH 6" POP-UP**

3" = 1'-0"



- ① FINISH GRADE
- ② K-RAIN RPS75i GEAR DRIVE ROTOR MODEL RPS75i-6INCH-RCW: 6" POP-UP ROTOR WITH INTELLIGENT FLOW TECHNOLOGY™ AND RECLAIMED WATER CAP
- ③ 3/4" RIGID SWING JOINT: SCHEDULE 80 NIPPLE, SCHEDULE 40 STREET ELLS
- ④ LATERAL TEE OR ELL
- ⑤ LATERAL PIPE
- ⑥ PURPLE RECLAIMED WATER CAP

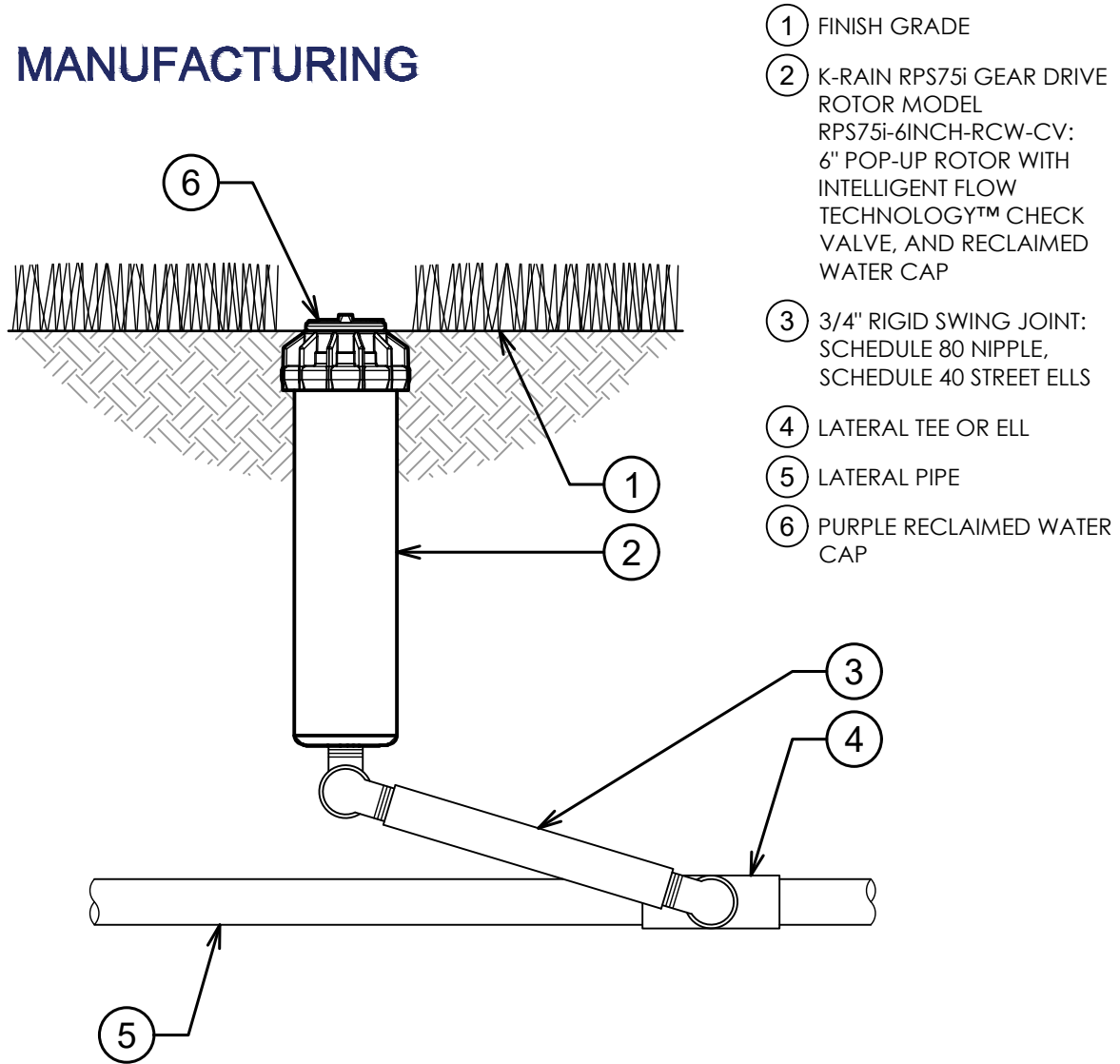




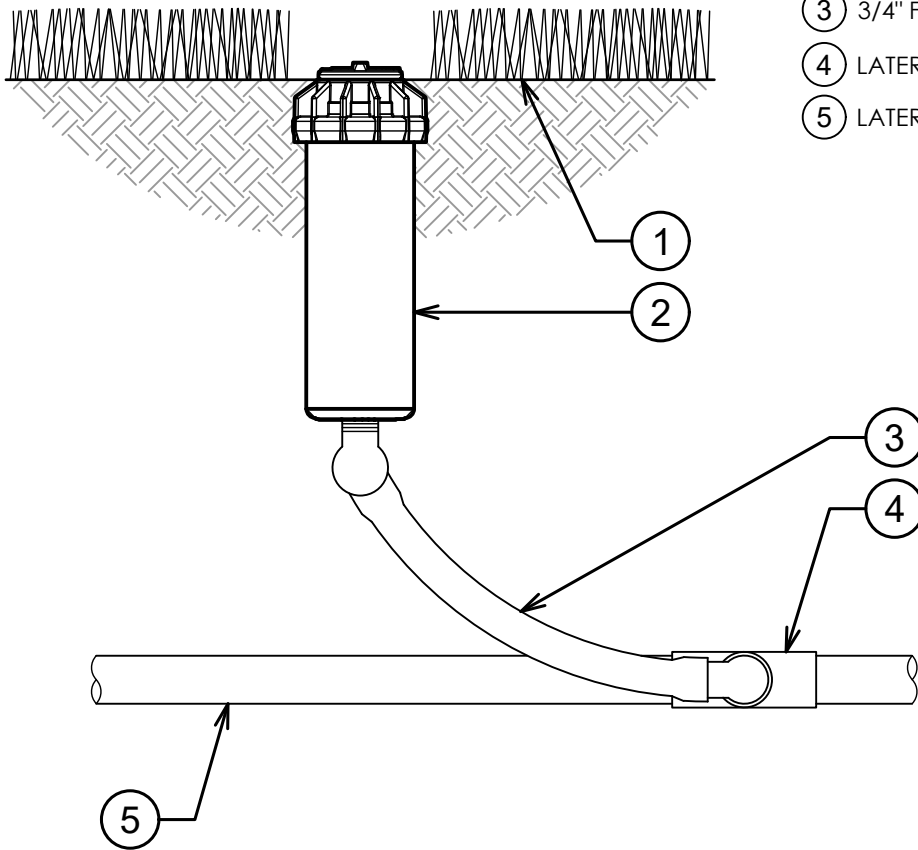
00

**K-RAIN RPS75i ROTOR WITH 6" POP-UP**

3" = 1'-0"



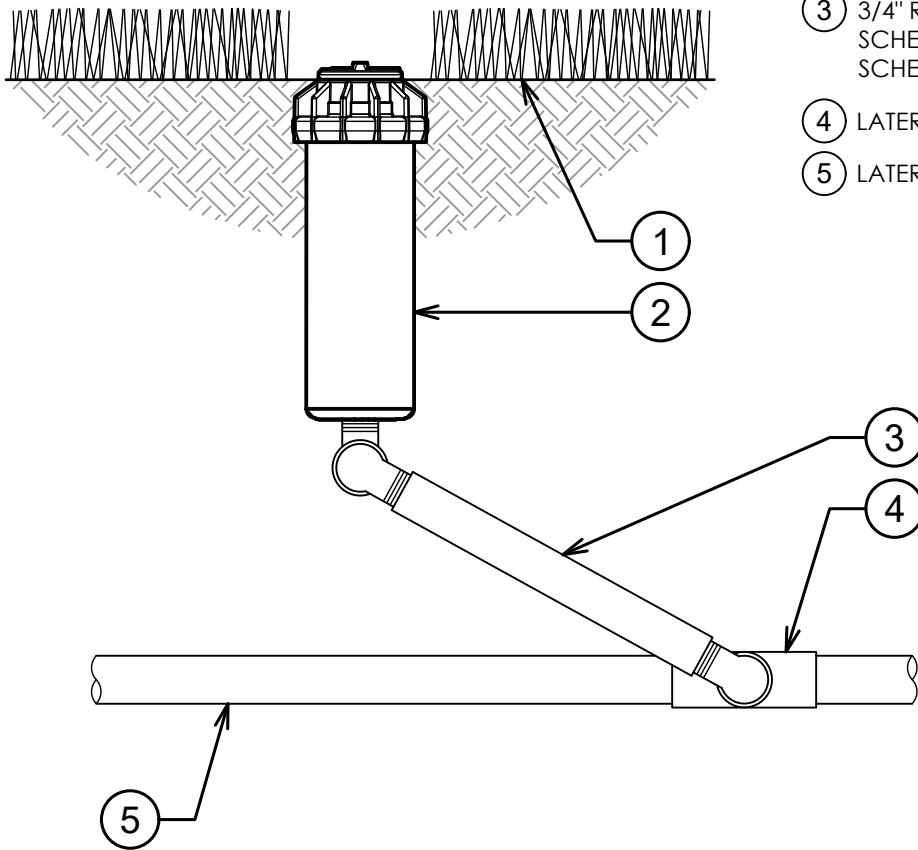
- ① FINISH GRADE
- ② K-RAIN RPS75i GEAR DRIVE ROTOR MODEL RPS75i-CV: 4" POP-UP ROTOR WITH INTELLIGENT FLOW TECHNOLOGY™ AND CHECK VALVE
- ③ 3/4" FLEX SWING JOINT
- ④ LATERAL TEE OR ELL
- ⑤ LATERAL PIPE

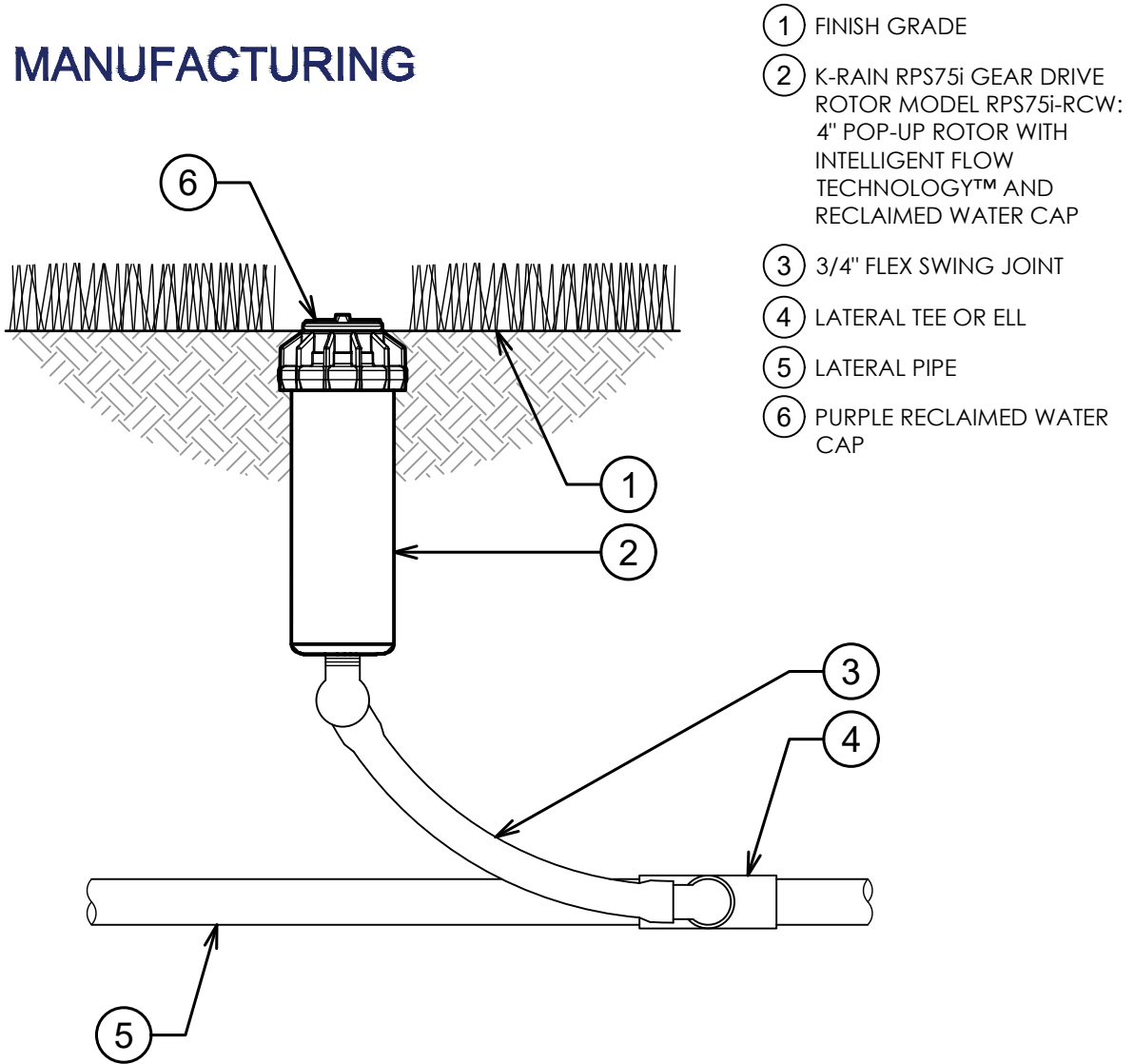


## K-RAIN RPS75i ROTOR WITH 4" POP-UP

3" = 1'-0"

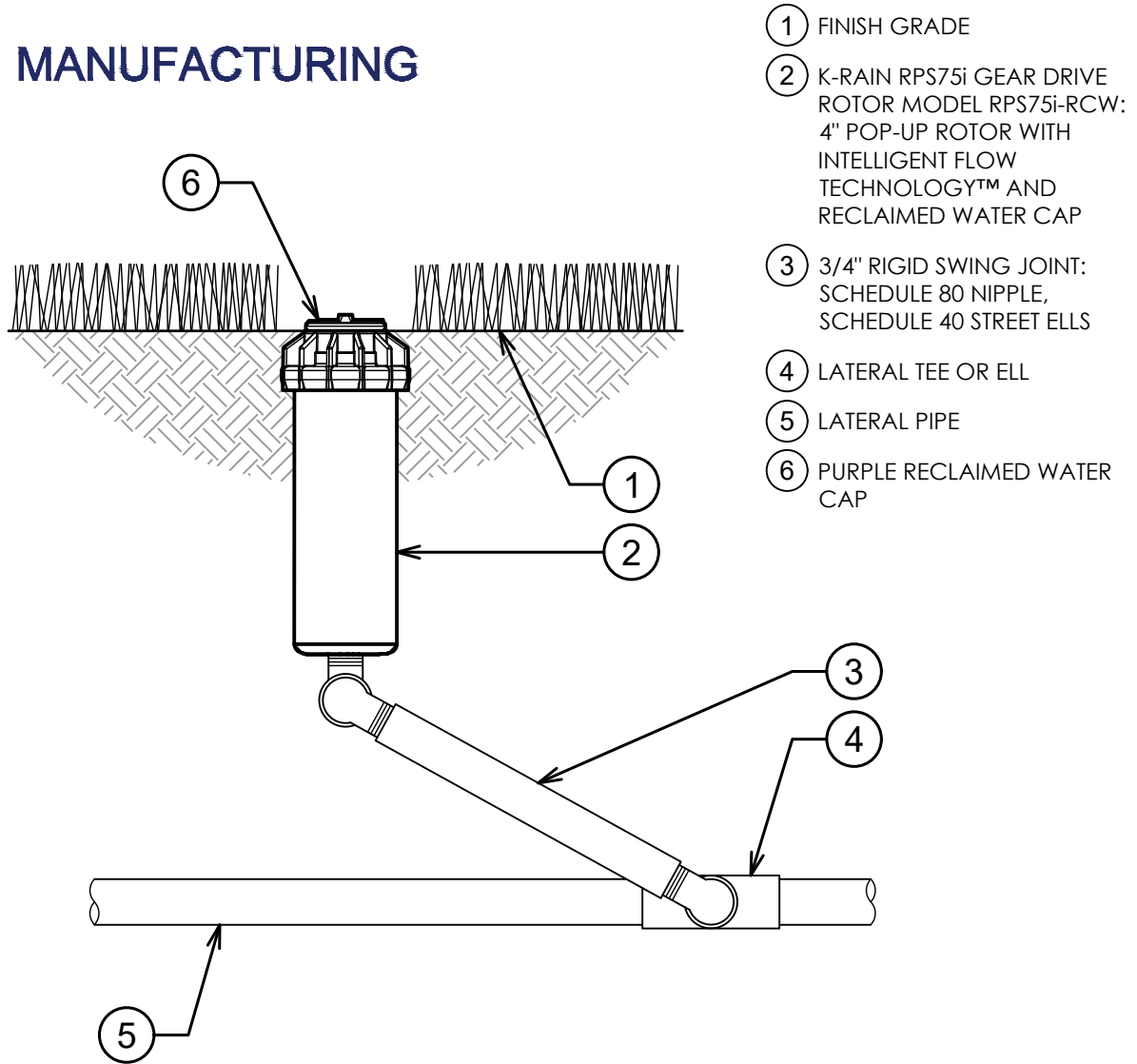
- ① FINISH GRADE
- ② K-RAIN RPS75i GEAR DRIVE ROTOR MODEL RPS75i-CV: 4" POP-UP ROTOR WITH INTELLIGENT FLOW TECHNOLOGY™ AND CHECK VALVE
- ③ 3/4" RIGID SWING JOINT: SCHEDULE 80 NIPPLE, SCHEDULE 40 STREET ELLS
- ④ LATERAL TEE OR ELL
- ⑤ LATERAL PIPE

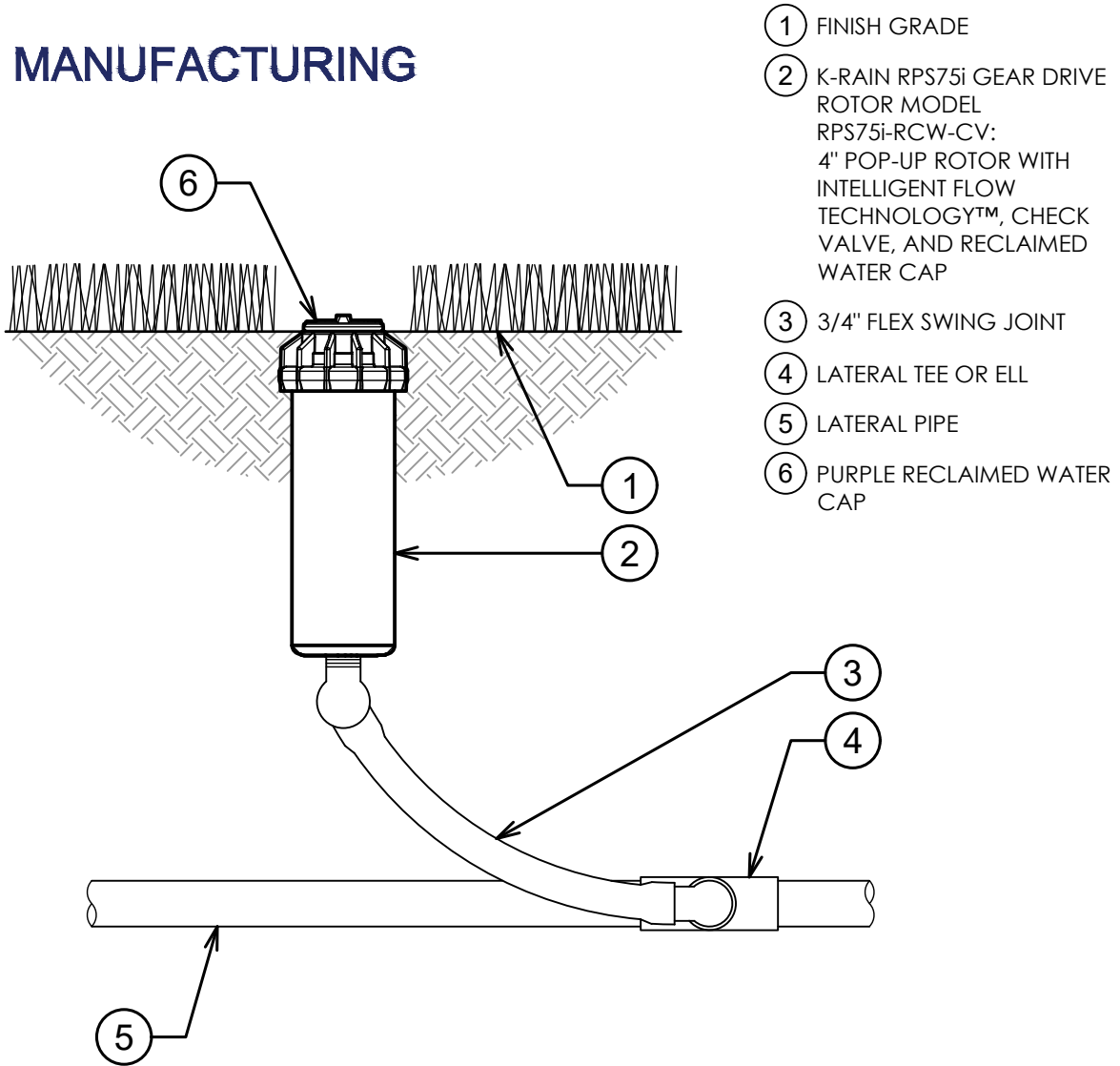




**K-RAIN RPS75i ROTOR WITH 4" POP-UP**

3" = 1'-0"



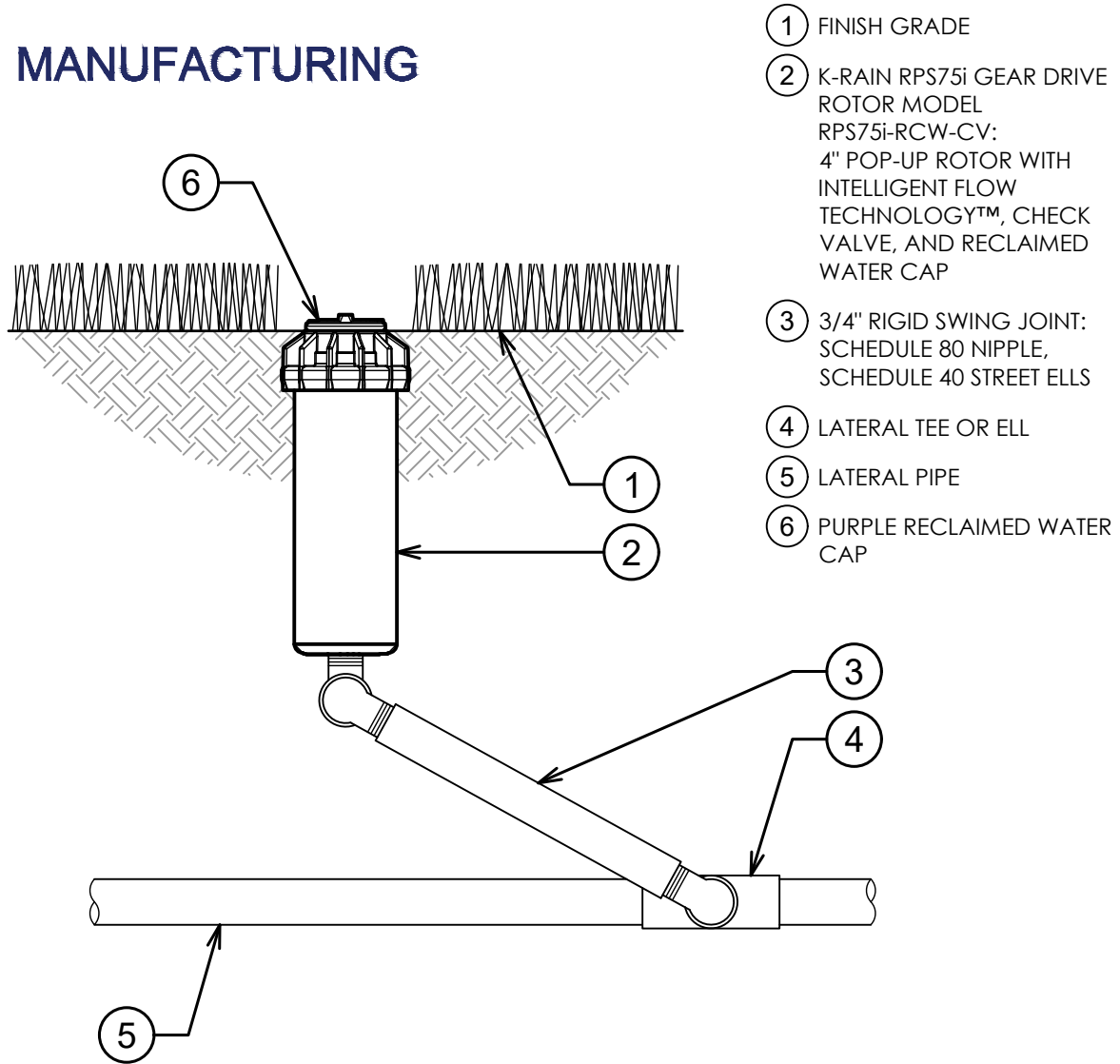


- ① FINISH GRADE
- ② K-RAIN RPS75i GEAR DRIVE ROTOR MODEL RPS75i-RCW-CV: 4" POP-UP ROTOR WITH INTELLIGENT FLOW TECHNOLOGY™, CHECK VALVE, AND RECLAIMED WATER CAP
- ③ 3/4" FLEX SWING JOINT
- ④ LATERAL TEE OR ELL
- ⑤ LATERAL PIPE
- ⑥ PURPLE RECLAIMED WATER CAP



**K-RAIN RPS75i ROTOR WITH 4" POP-UP**

3" = 1'-0"



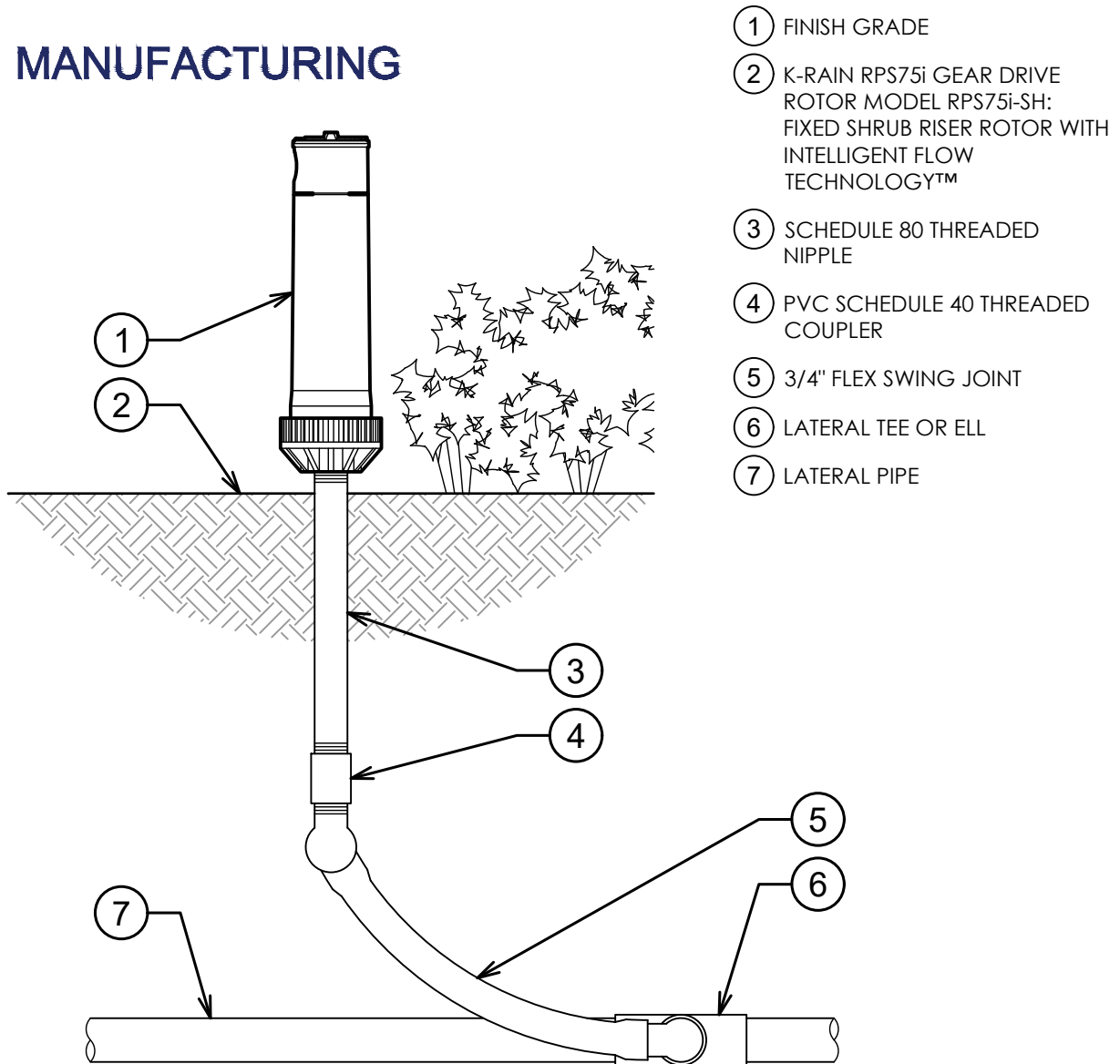
- ① FINISH GRADE
- ② K-RAIN RPS75i GEAR DRIVE ROTOR MODEL RPS75i-RCW-CV: 4" POP-UP ROTOR WITH INTELLIGENT FLOW TECHNOLOGY™, CHECK VALVE, AND RECLAIMED WATER CAP
- ③ 3/4" RIGID SWING JOINT: SCHEDULE 80 NIPPLE, SCHEDULE 40 STREET ELLS
- ④ LATERAL TEE OR ELL
- ⑤ LATERAL PIPE
- ⑥ PURPLE RECLAIMED WATER CAP



**K-RAIN RPS75i ROTOR WITH 4" POP-UP**

3" = 1'-0"



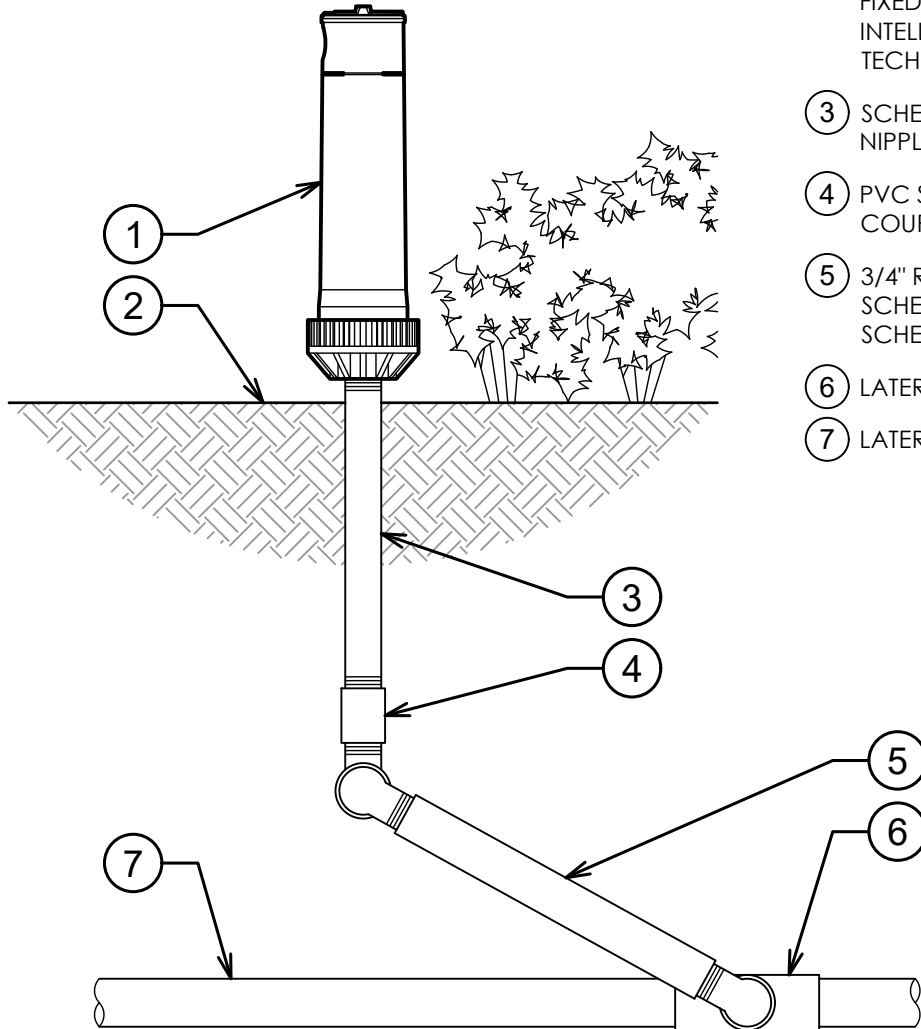


- ① FINISH GRADE
- ② K-RAIN RPS75i GEAR DRIVE ROTOR MODEL RPS75i-SH: FIXED SHRUB RISER ROTOR WITH INTELLIGENT FLOW TECHNOLOGY™
- ③ SCHEDULE 80 THREADED NIPPLE
- ④ PVC SCHEDULE 40 THREADED COUPLER
- ⑤ 3/4" FLEX SWING JOINT
- ⑥ LATERAL TEE OR ELL
- ⑦ LATERAL PIPE

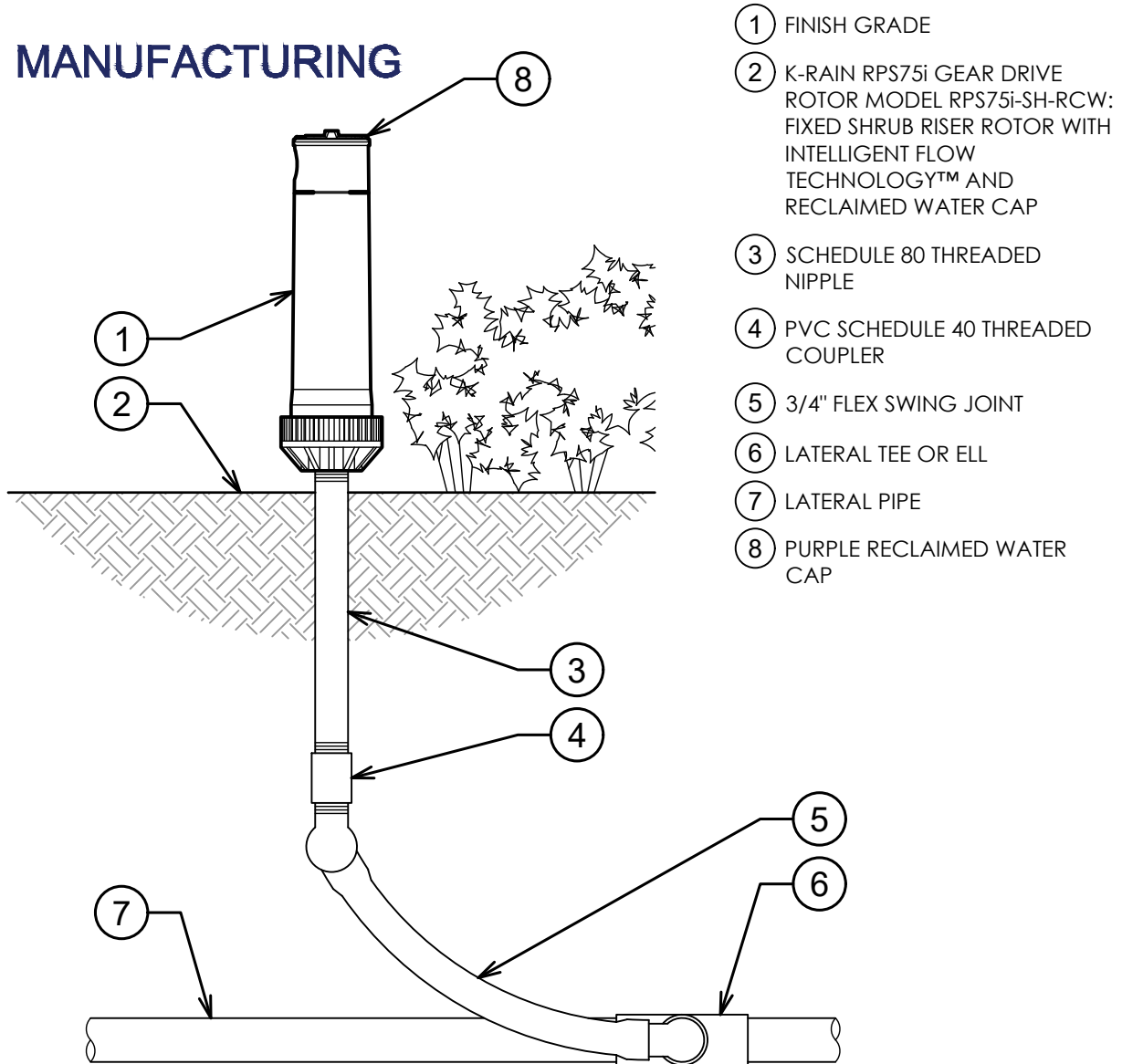


**K-RAIN RPS75i ROTOR WITH FIXED SHRUB RISER**

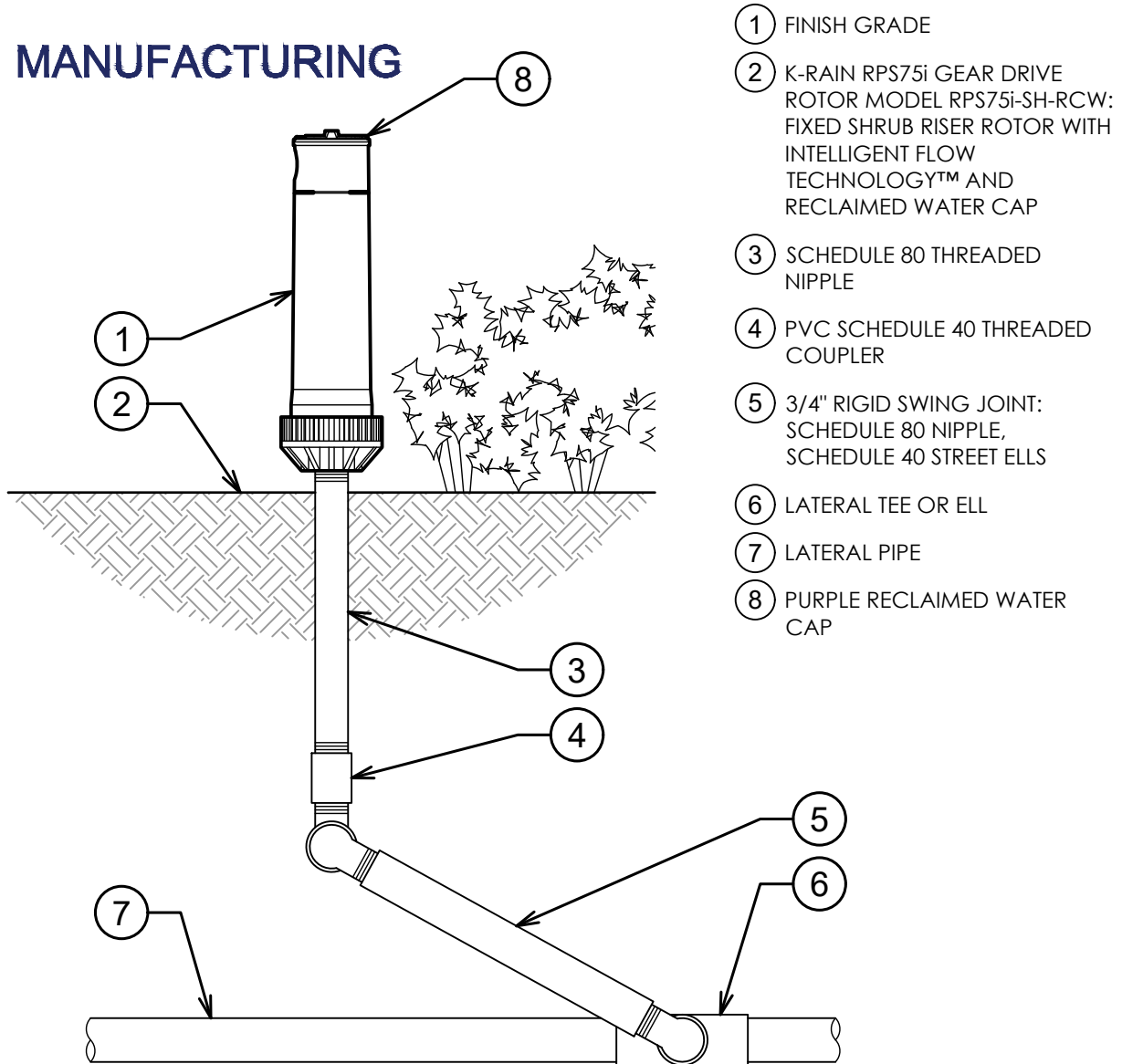
3" = 1'-0"



- ① FINISH GRADE
- ② K-RAIN RPS75i GEAR DRIVE ROTOR MODEL RPS75i-SH: FIXED SHRUB RISER ROTOR WITH INTELLIGENT FLOW TECHNOLOGY™
- ③ SCHEDULE 80 THREADED NIPPLE
- ④ PVC SCHEDULE 40 THREADED COUPLER
- ⑤ 3/4" RIGID SWING JOINT: SCHEDULE 80 NIPPLE, SCHEDULE 40 STREET ELLS
- ⑥ LATERAL TEE OR ELL
- ⑦ LATERAL PIPE

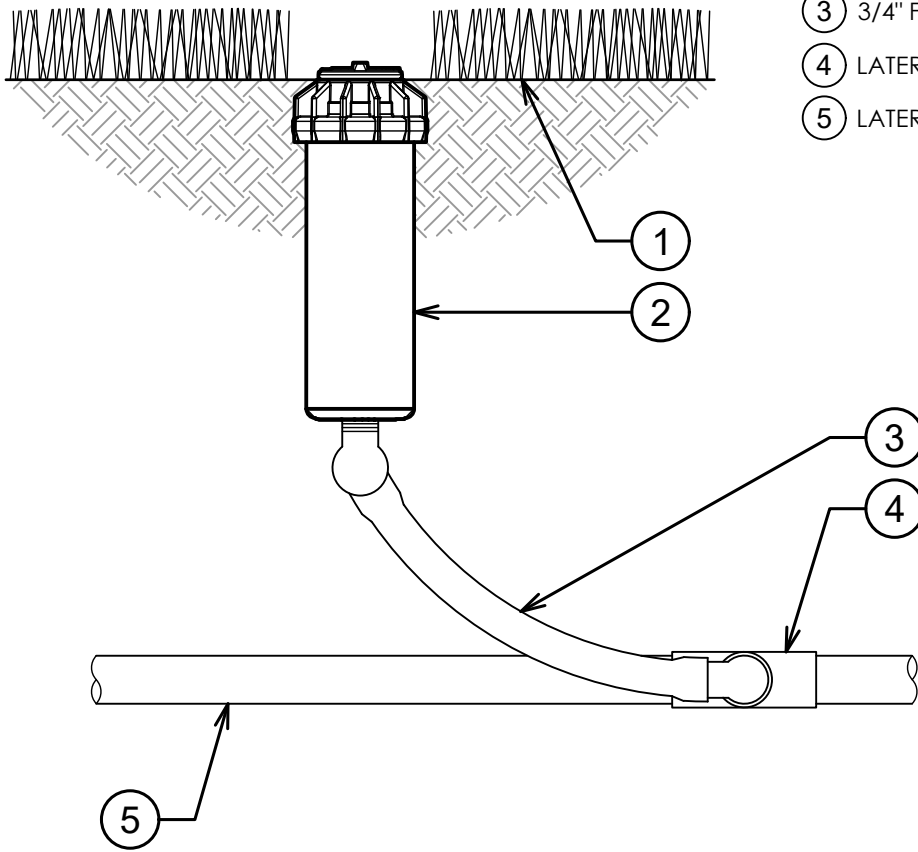


- ① FINISH GRADE
- ② K-RAIN RPS75i GEAR DRIVE ROTOR MODEL RPS75i-SH-RCW: FIXED SHRUB RISER ROTOR WITH INTELLIGENT FLOW TECHNOLOGY™ AND RECLAIMED WATER CAP
- ③ SCHEDULE 80 THREADED NIPPLE
- ④ PVC SCHEDULE 40 THREADED COUPLER
- ⑤ 3/4" FLEX SWING JOINT
- ⑥ LATERAL TEE OR ELL
- ⑦ LATERAL PIPE
- ⑧ PURPLE RECLAIMED WATER CAP

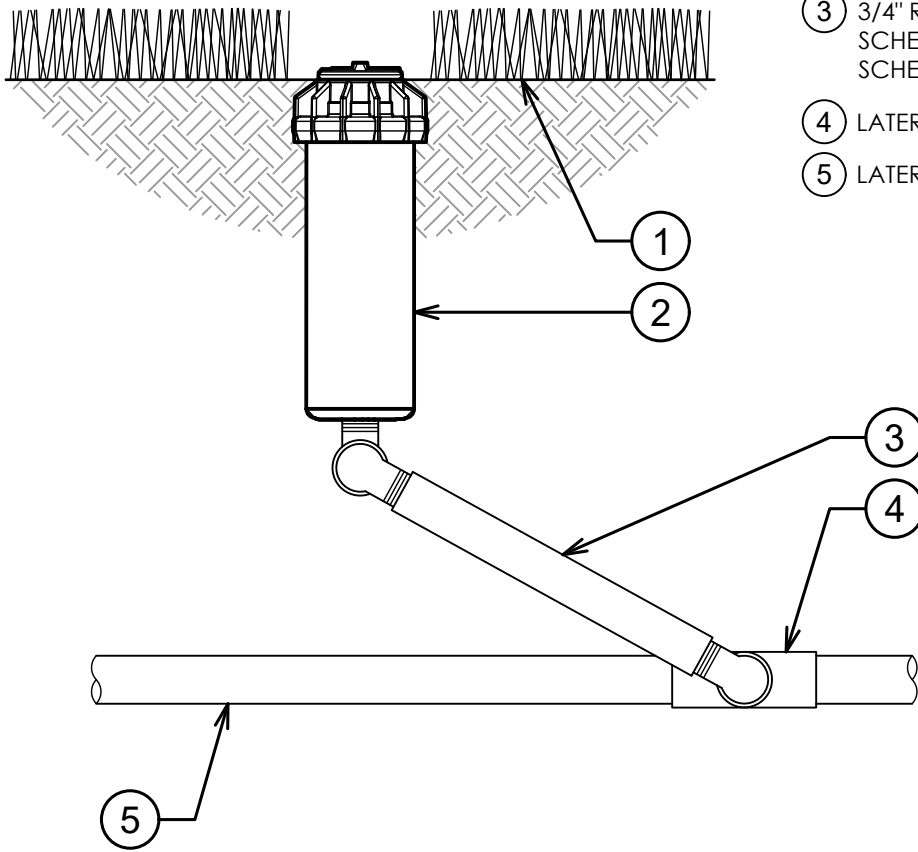


- ① FINISH GRADE
- ② K-RAIN RPS75i GEAR DRIVE ROTOR MODEL RPS75i-SH-RCW: FIXED SHRUB RISER ROTOR WITH INTELLIGENT FLOW TECHNOLOGY™ AND RECLAIMED WATER CAP
- ③ SCHEDULE 80 THREADED NIPPLE
- ④ PVC SCHEDULE 40 THREADED COUPLER
- ⑤ 3/4" RIGID SWING JOINT: SCHEDULE 80 NIPPLE, SCHEDULE 40 STREET ELLS
- ⑥ LATERAL TEE OR ELL
- ⑦ LATERAL PIPE
- ⑧ PURPLE RECLAIMED WATER CAP

- ① FINISH GRADE
- ② K-RAIN RPS75i GEAR DRIVE ROTOR MODEL RPS75i-SS: 4" POP-UP ROTOR WITH INTELLIGENT FLOW TECHNOLOGY™ AND STAINLESS STEEL RISER
- ③ 3/4" FLEX SWING JOINT
- ④ LATERAL TEE OR ELL
- ⑤ LATERAL PIPE



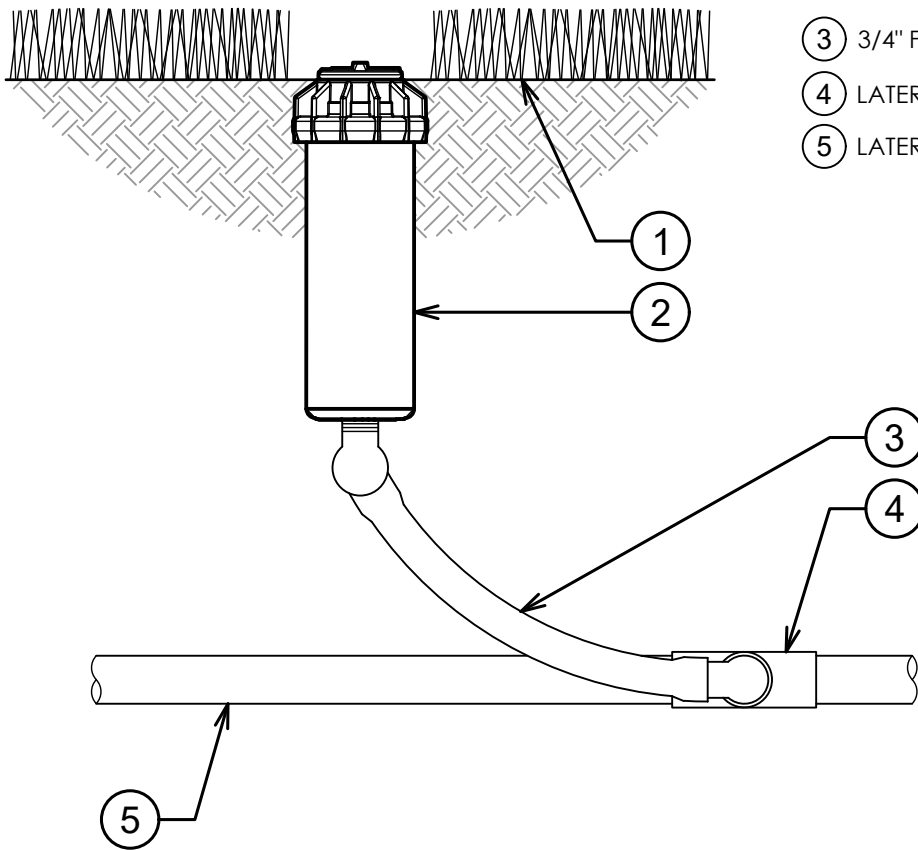
- ① FINISH GRADE
- ② K-RAIN RPS75i GEAR DRIVE ROTOR MODEL RPS75i-SS: 4" POP-UP ROTOR WITH INTELLIGENT FLOW TECHNOLOGY™ AND STAINLESS STEEL RISER
- ③ 3/4" RIGID SWING JOINT: SCHEDULE 80 NIPPLE, SCHEDULE 40 STREET ELLS
- ④ LATERAL TEE OR ELL
- ⑤ LATERAL PIPE



**K-RAIN RPS75i ROTOR WITH 4" POP-UP**

3" = 1'-0"

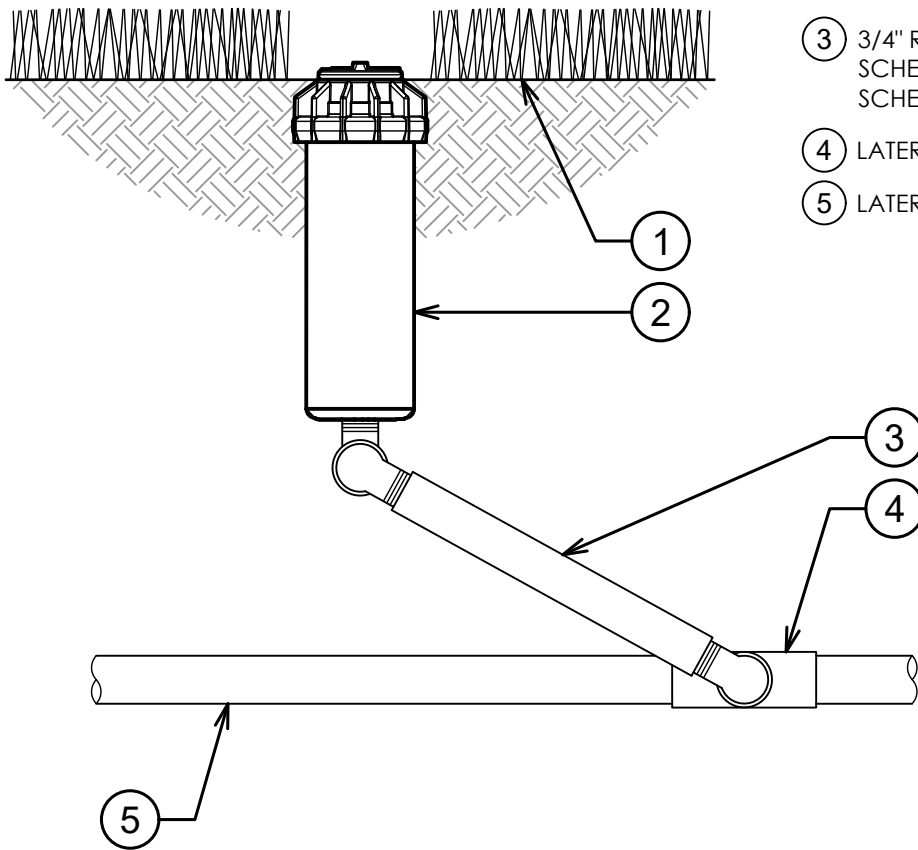
- ① FINISH GRADE
- ② K-RAIN RPS75i GEAR DRIVE ROTOR MODEL RPS75i-SS-CV: 4" POP-UP ROTOR WITH INTELLIGENT FLOW TECHNOLOGY™, STAINLESS STEEL RISER, AND CHECK VALVE
- ③ 3/4" FLEX SWING JOINT
- ④ LATERAL TEE OR ELL
- ⑤ LATERAL PIPE



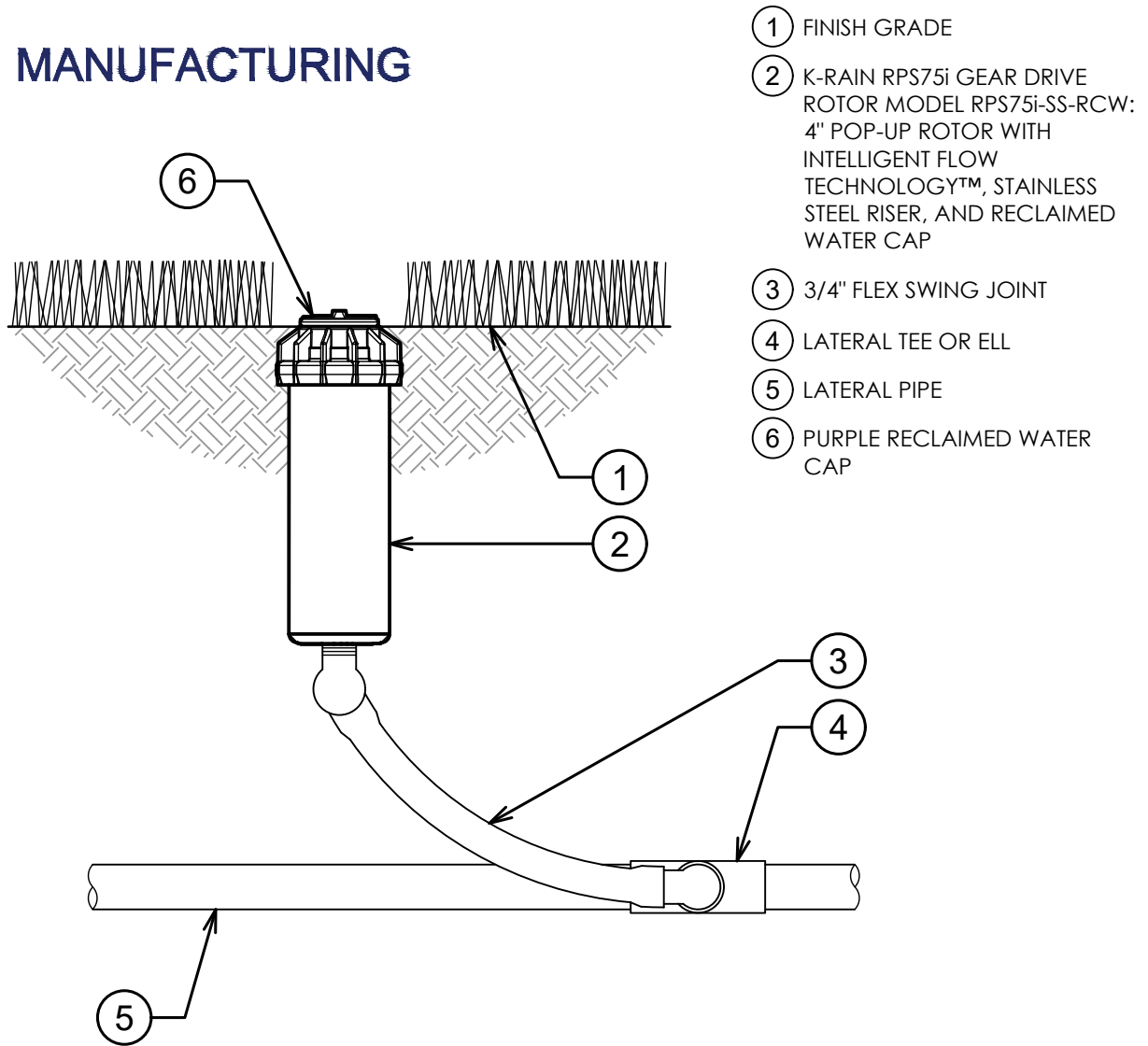
## K-RAIN RPS75i ROTOR WITH 4" POP-UP

3" = 1'-0"

- ① FINISH GRADE
- ② K-RAIN RPS75i GEAR DRIVE ROTOR MODEL RPS75i-SS-CV: 4" POP-UP ROTOR WITH INTELLIGENT FLOW TECHNOLOGY™, STAINLESS STEEL RISER, AND CHECK VALVE
- ③ 3/4" RIGID SWING JOINT: SCHEDULE 80 NIPPLE, SCHEDULE 40 STREET ELLS
- ④ LATERAL TEE OR ELL
- ⑤ LATERAL PIPE





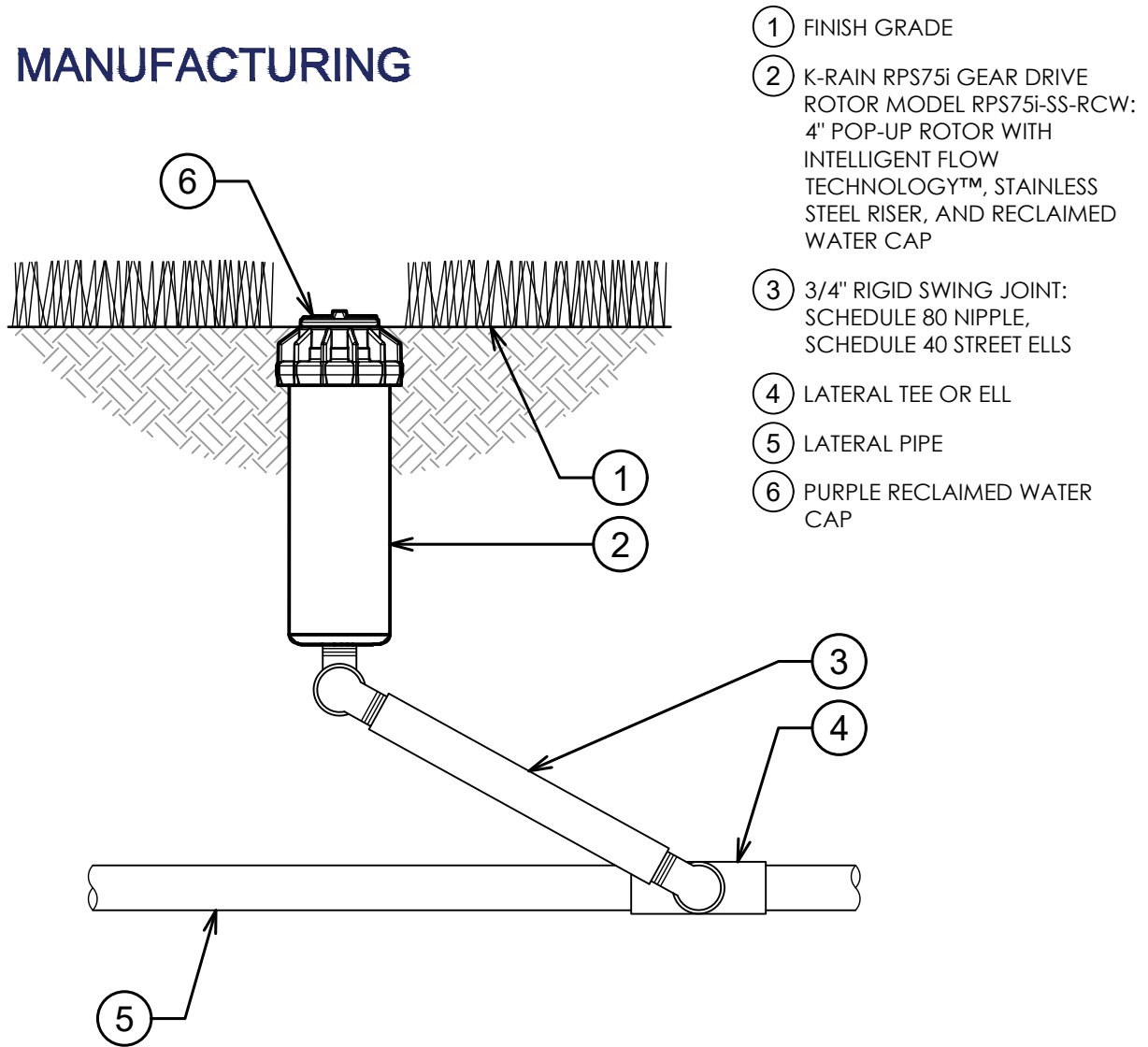


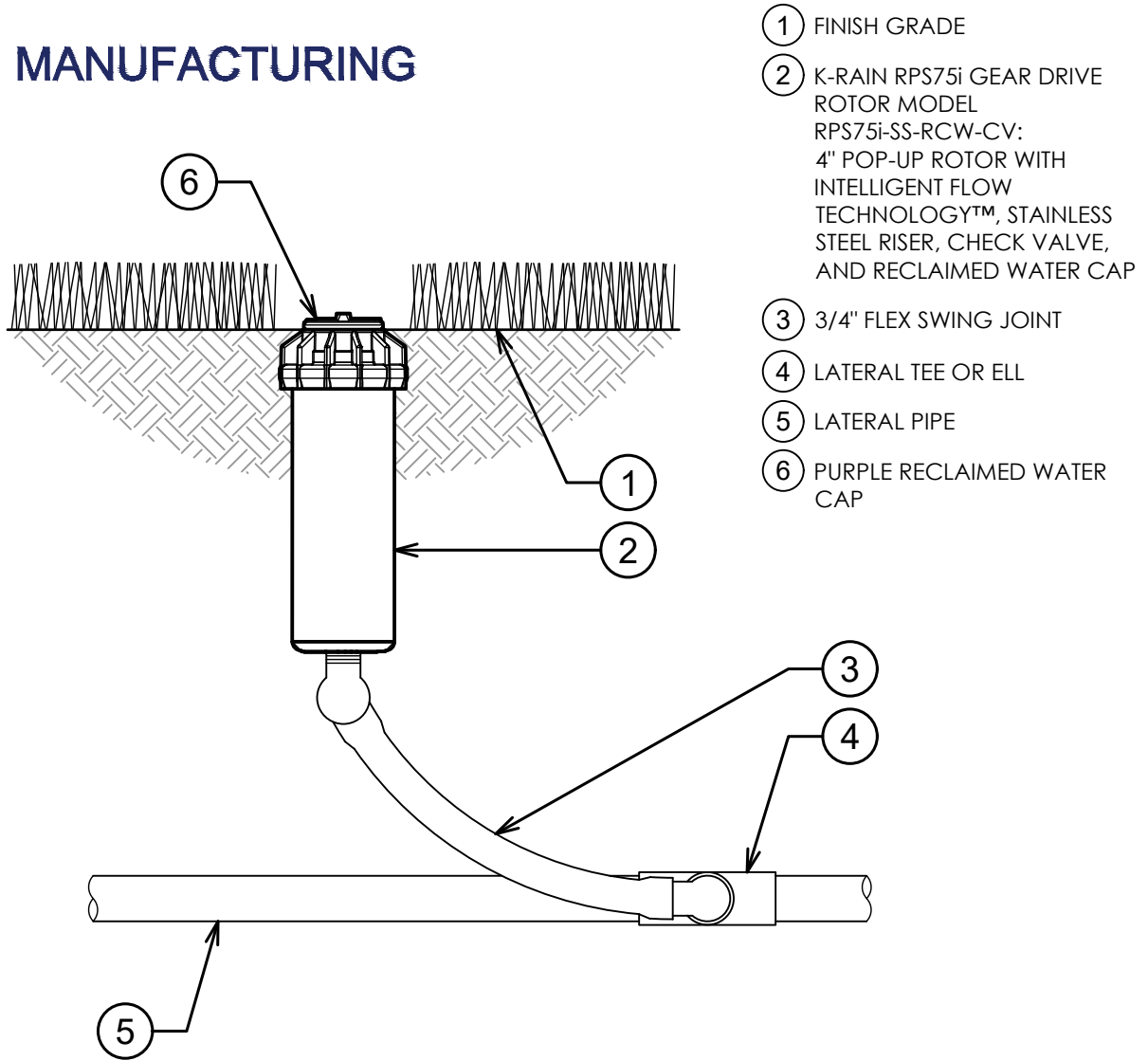
- ① FINISH GRADE
- ② K-RAIN RPS75i GEAR DRIVE ROTOR MODEL RPS75i-SS-RCW: 4" POP-UP ROTOR WITH INTELLIGENT FLOW TECHNOLOGY™, STAINLESS STEEL RISER, AND RECLAIMED WATER CAP
- ③ 3/4" FLEX SWING JOINT
- ④ LATERAL TEE OR ELL
- ⑤ LATERAL PIPE
- ⑥ PURPLE RECLAIMED WATER CAP



**K-RAIN RPS75i ROTOR WITH 4" POP-UP**

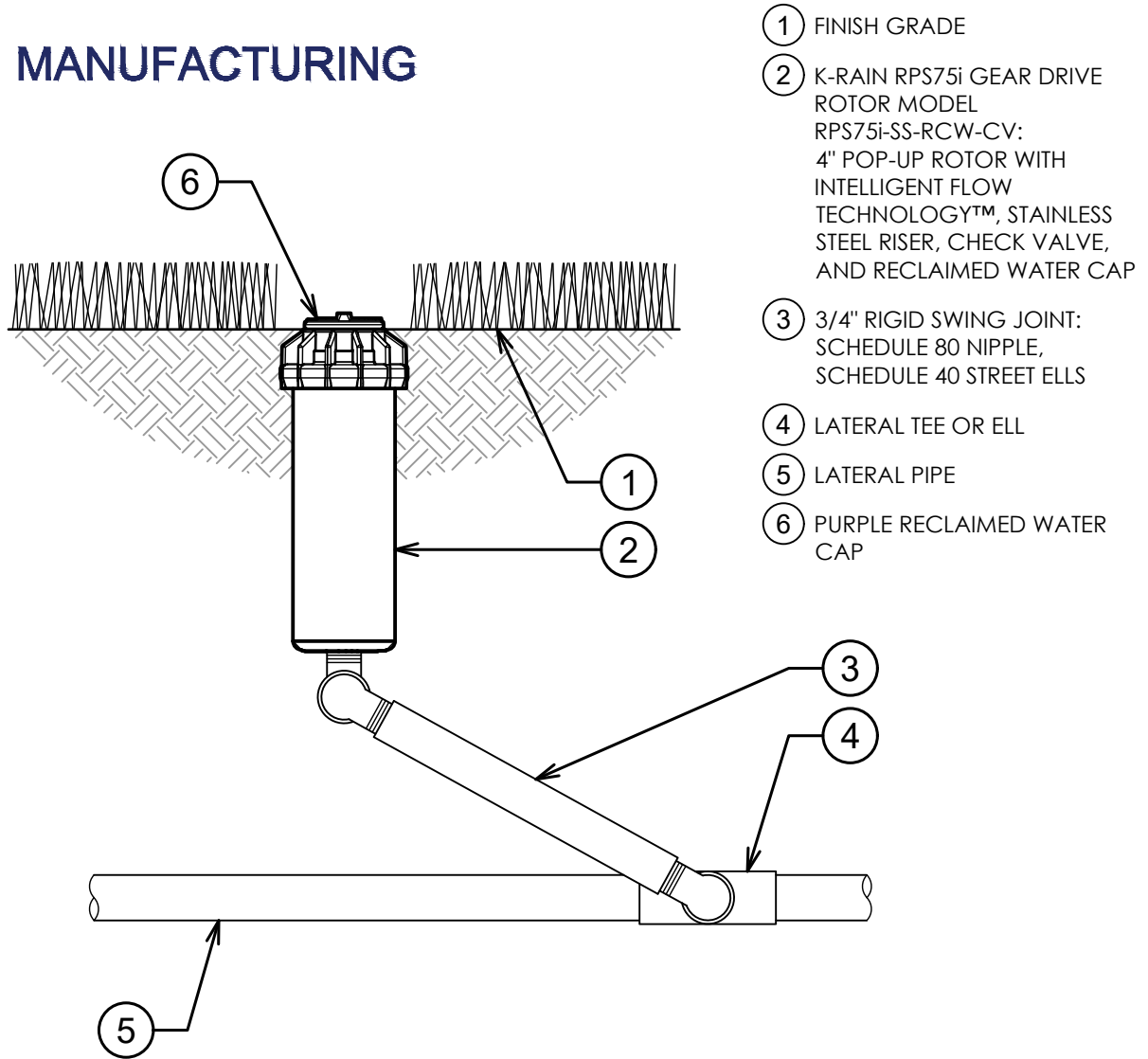
3" = 1'-0"





**K-RAIN RPS75i ROTOR WITH 4" POP-UP**

3" = 1'-0"



**K-RAIN RPS75i ROTOR WITH 4" POP-UP**

3" = 1'-0"