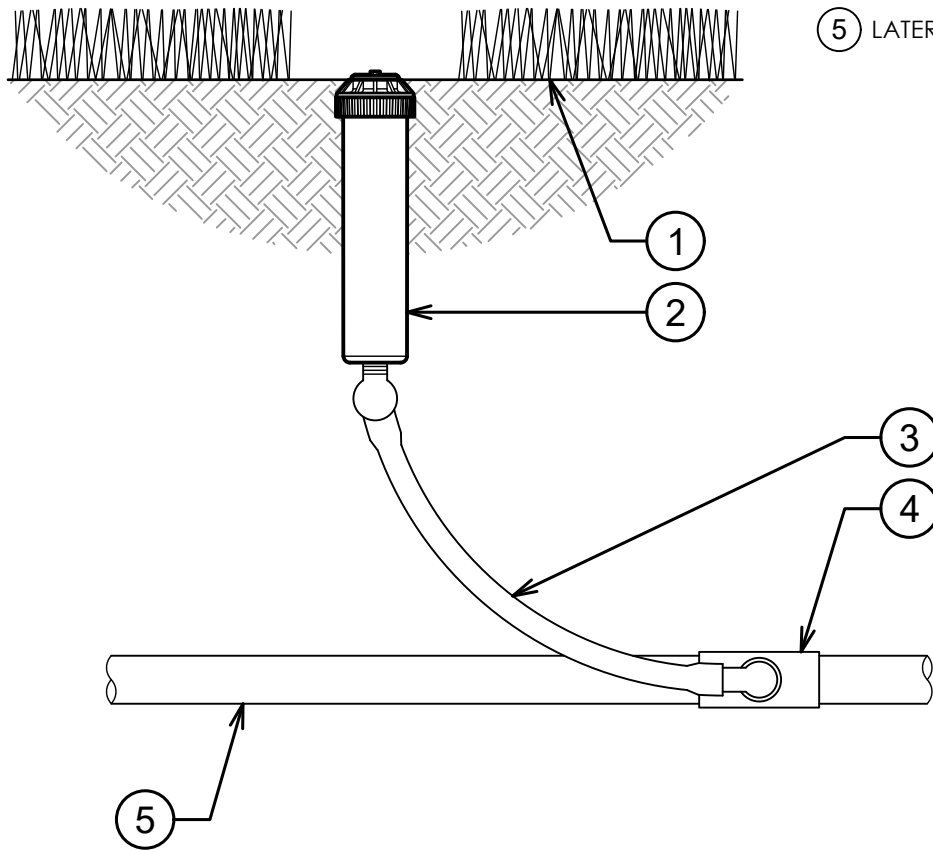
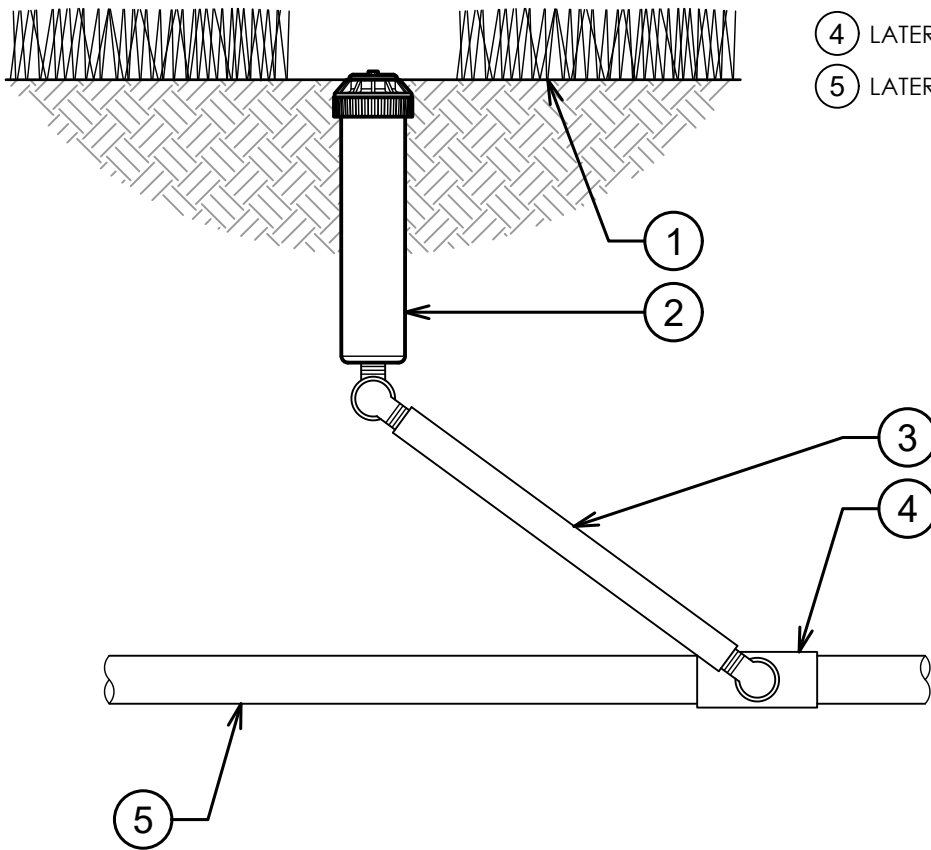


- ① FINISH GRADE
- ② K-RAIN RPS50 GEAR DRIVE ROTOR MODEL RPS50: 4" POP-UP ROTOR
- ③ 1/2" FLEX SWING JOINT
- ④ LATERAL TEE OR ELL
- ⑤ LATERAL PIPE



- ① FINISH GRADE
- ② K-RAIN RPS50 GEAR DRIVE ROTOR MODEL RPS50: 4" POP-UP ROTOR
- ③ 1/2" RIGID SWING JOINT: SCHEDULE 80 NIPPLE, SCHEDULE 40 STREET ELLS
- ④ LATERAL TEE OR ELL
- ⑤ LATERAL PIPE

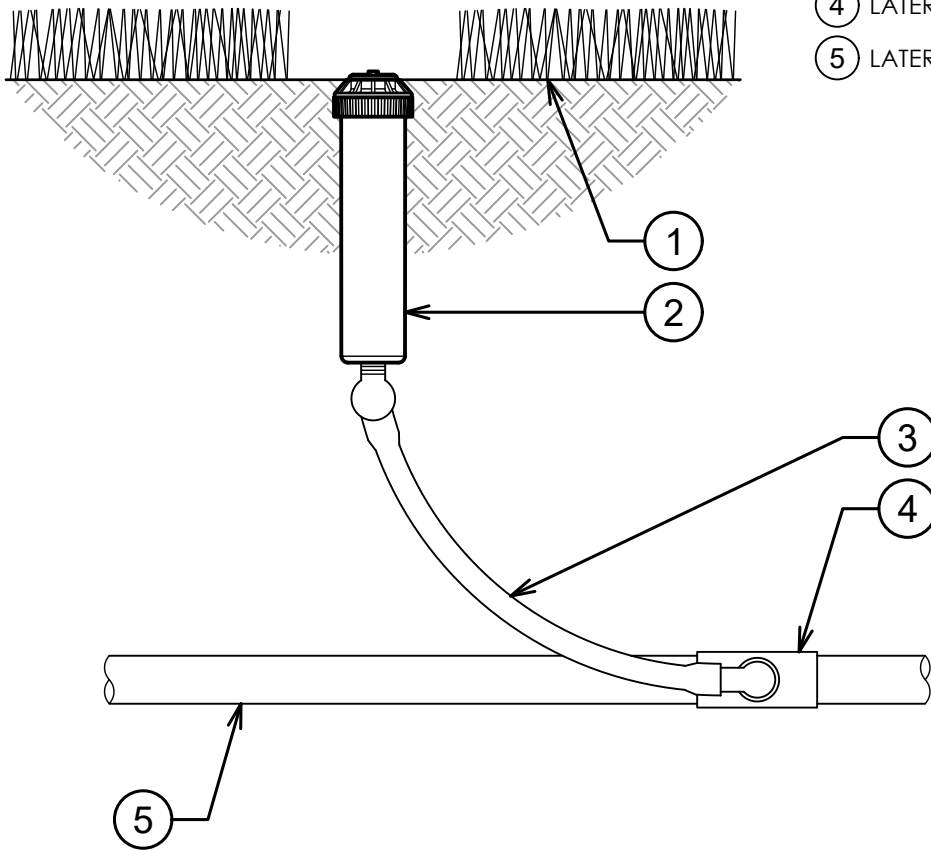


00

K-RAIN RPS50 ROTOR WITH 4" POP-UP

3" = 1'-0"

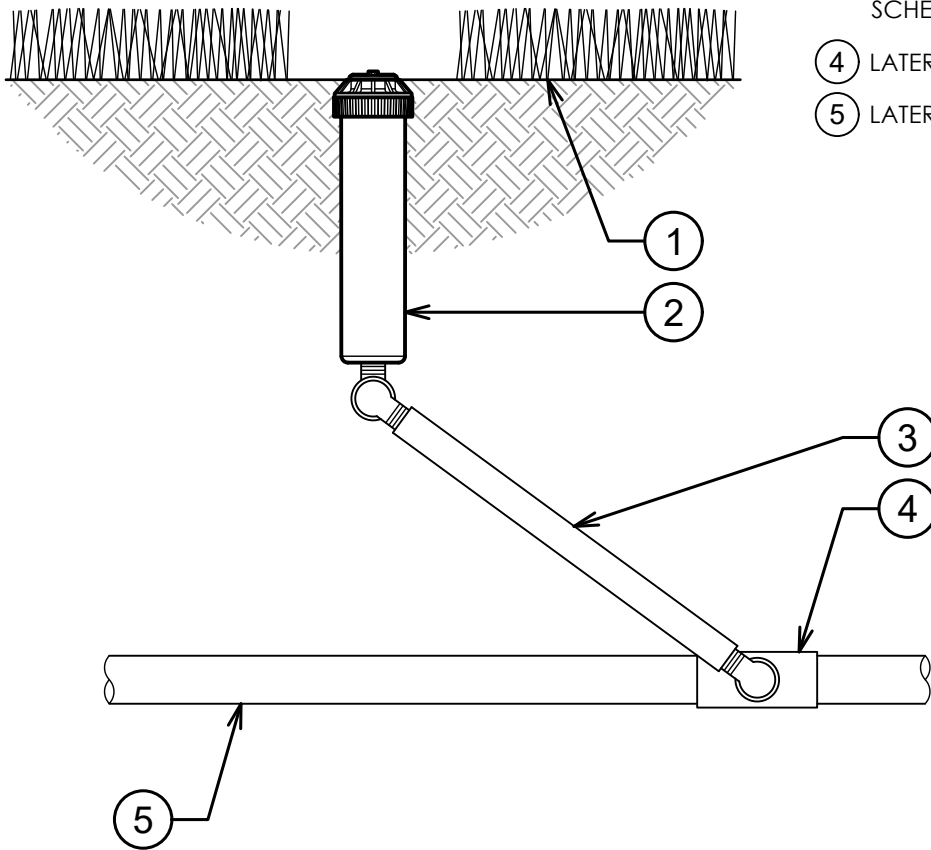
- ① FINISH GRADE
- ② K-RAIN RPS50 GEAR DRIVE ROTOR MODEL RPS50-CV: 4" POP-UP ROTOR WITH CHECK VALVE
- ③ 1/2" FLEX SWING JOINT
- ④ LATERAL TEE OR ELL
- ⑤ LATERAL PIPE

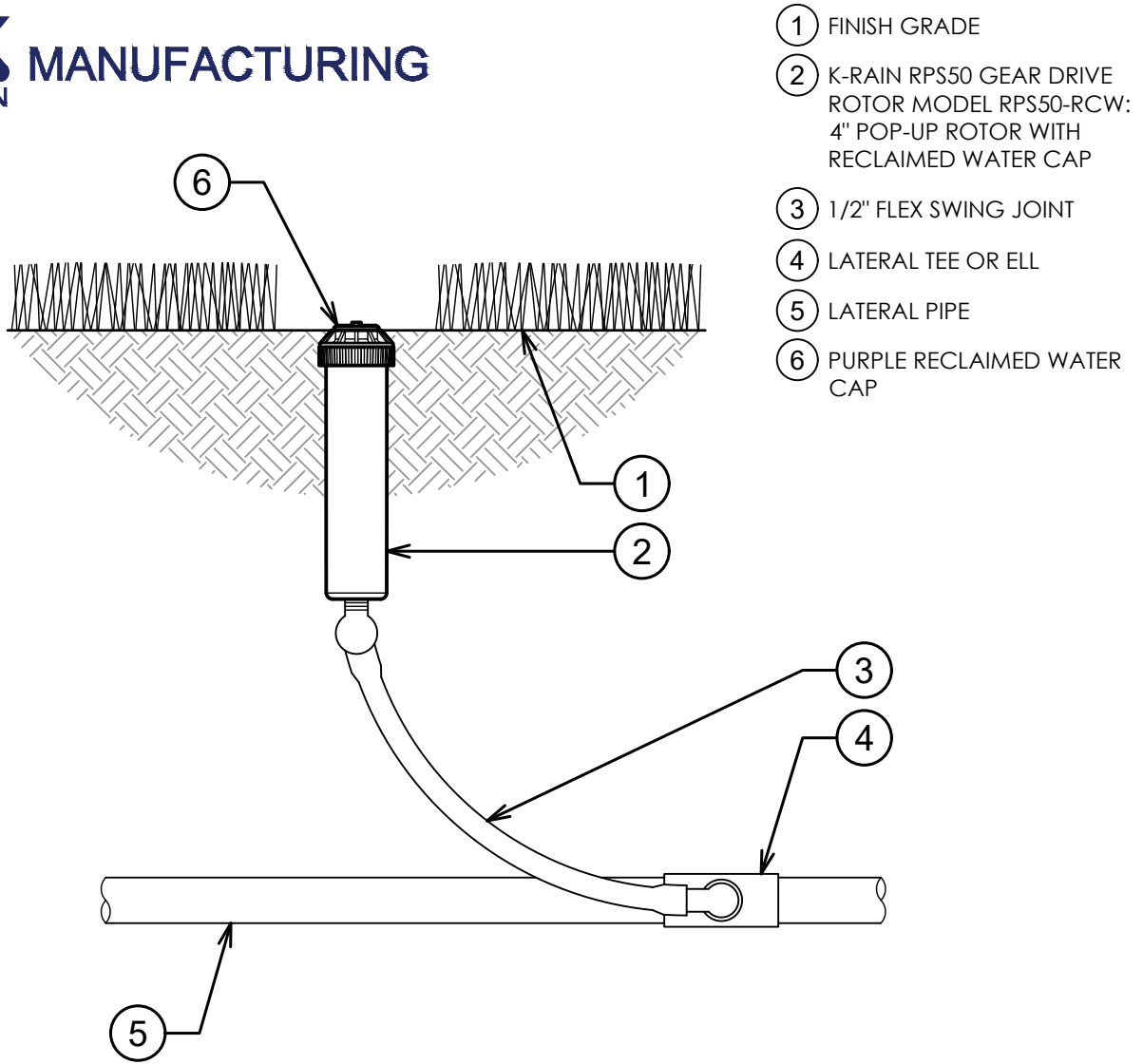


K-RAIN RPS50 ROTOR WITH 4" POP-UP

3" = 1'-0"

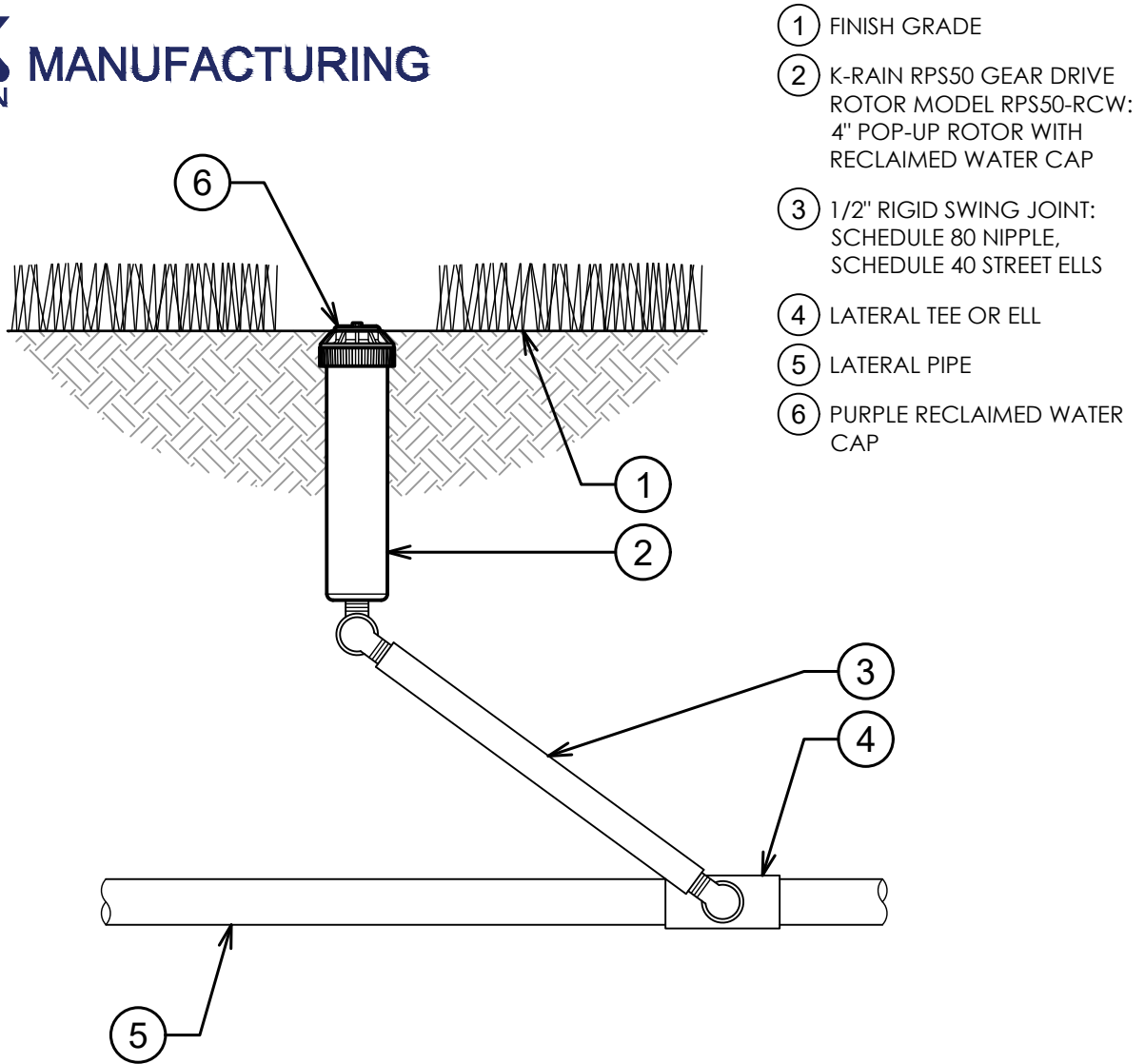
- ① FINISH GRADE
- ② K-RAIN RPS50 GEAR DRIVE ROTOR MODEL RPS50-CV: 4" POP-UP ROTOR WITH CHECK VALVE
- ③ 1/2" RIGID SWING JOINT: SCHEDULE 80 NIPPLE, SCHEDULE 40 STREET ELLS
- ④ LATERAL TEE OR ELL
- ⑤ LATERAL PIPE





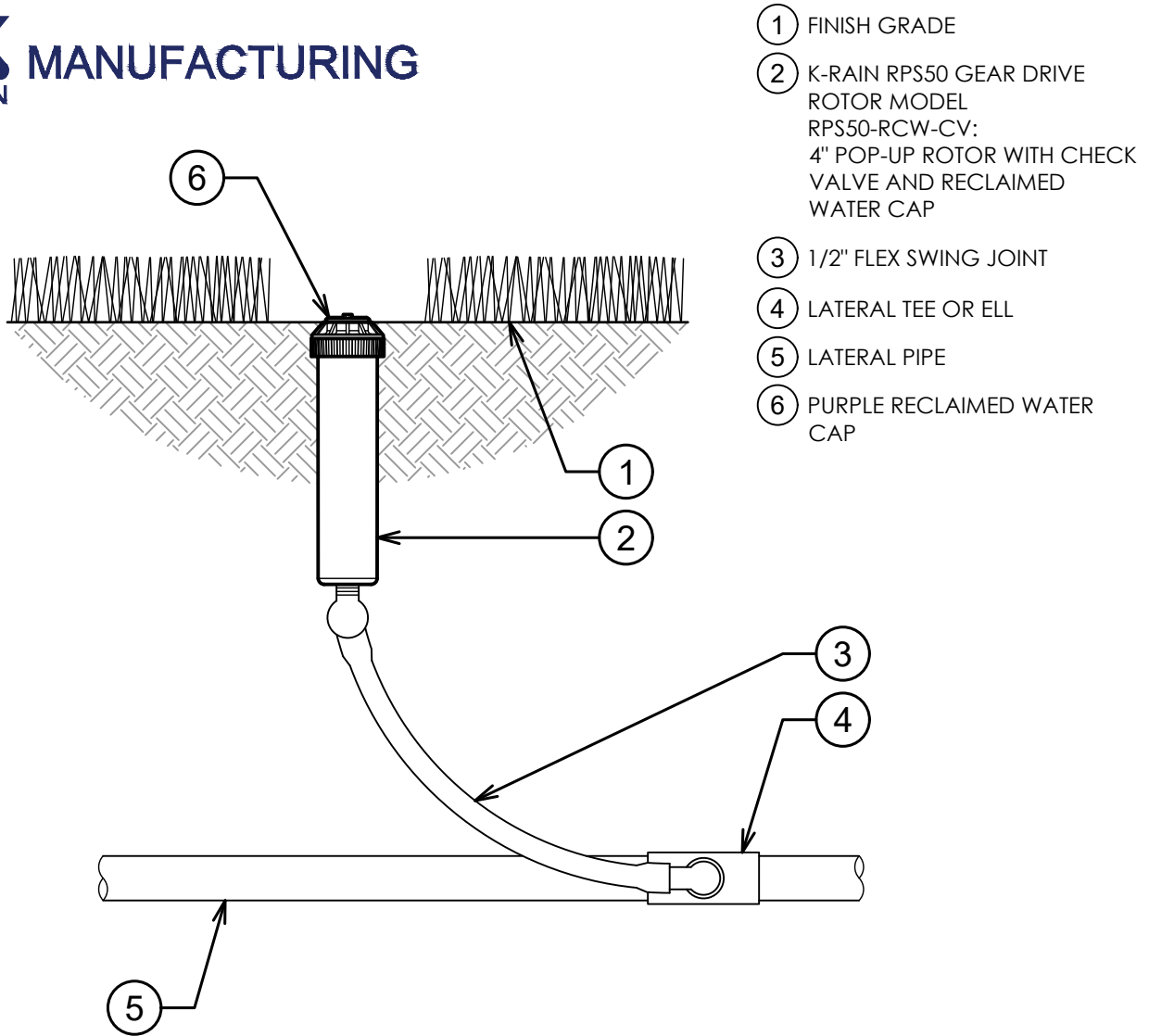
K-RAIN RPS50 ROTOR WITH 4" POP-UP

3" = 1'-0"



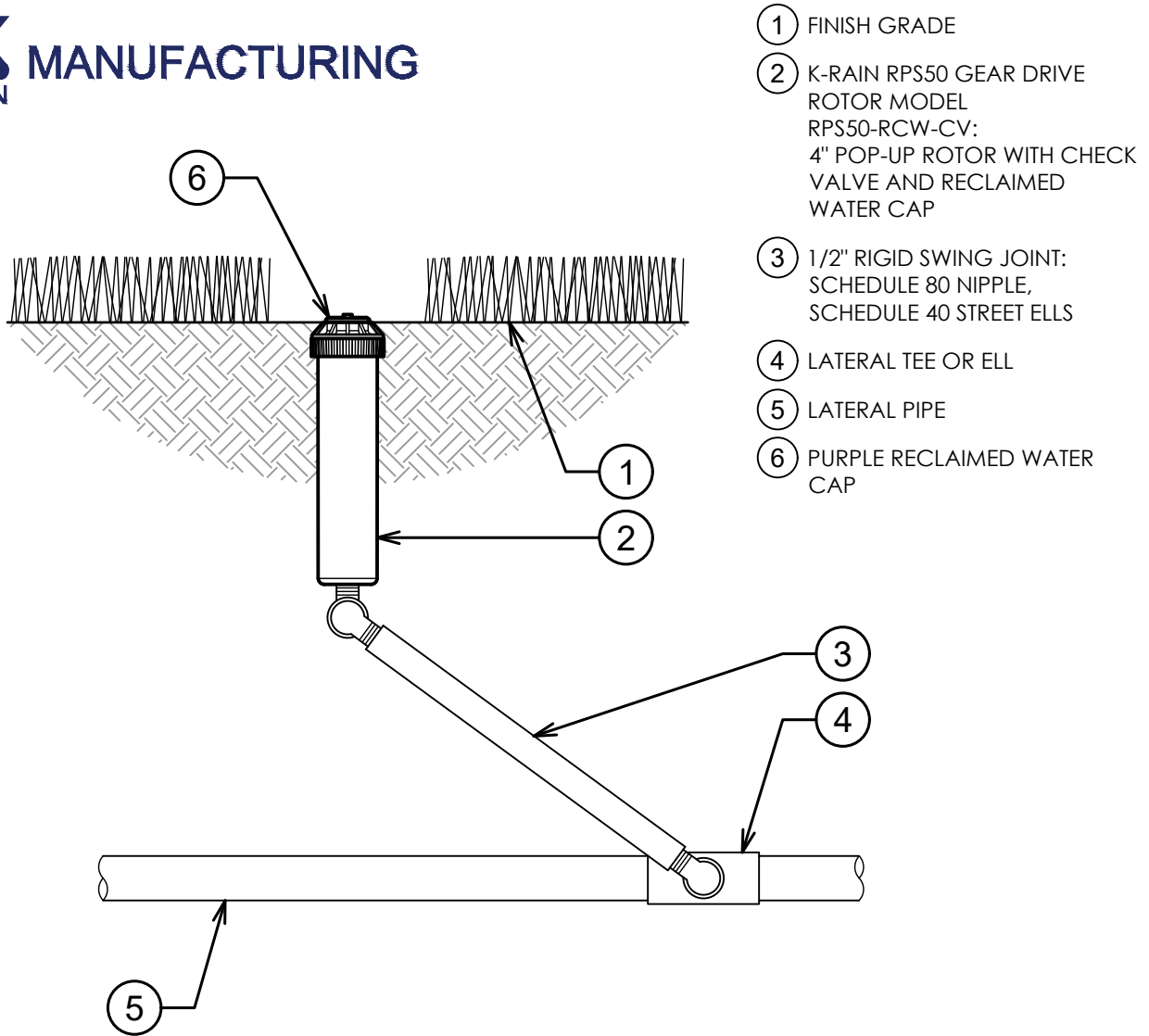
K-RAIN RPS50 ROTOR WITH 4" POP-UP

3" = 1'-0"



K-RAIN RPS50 ROTOR WITH 4" POP-UP

3" = 1'-0"



K-RAIN RPS50 ROTOR WITH 4" POP-UP

3" = 1'-0"