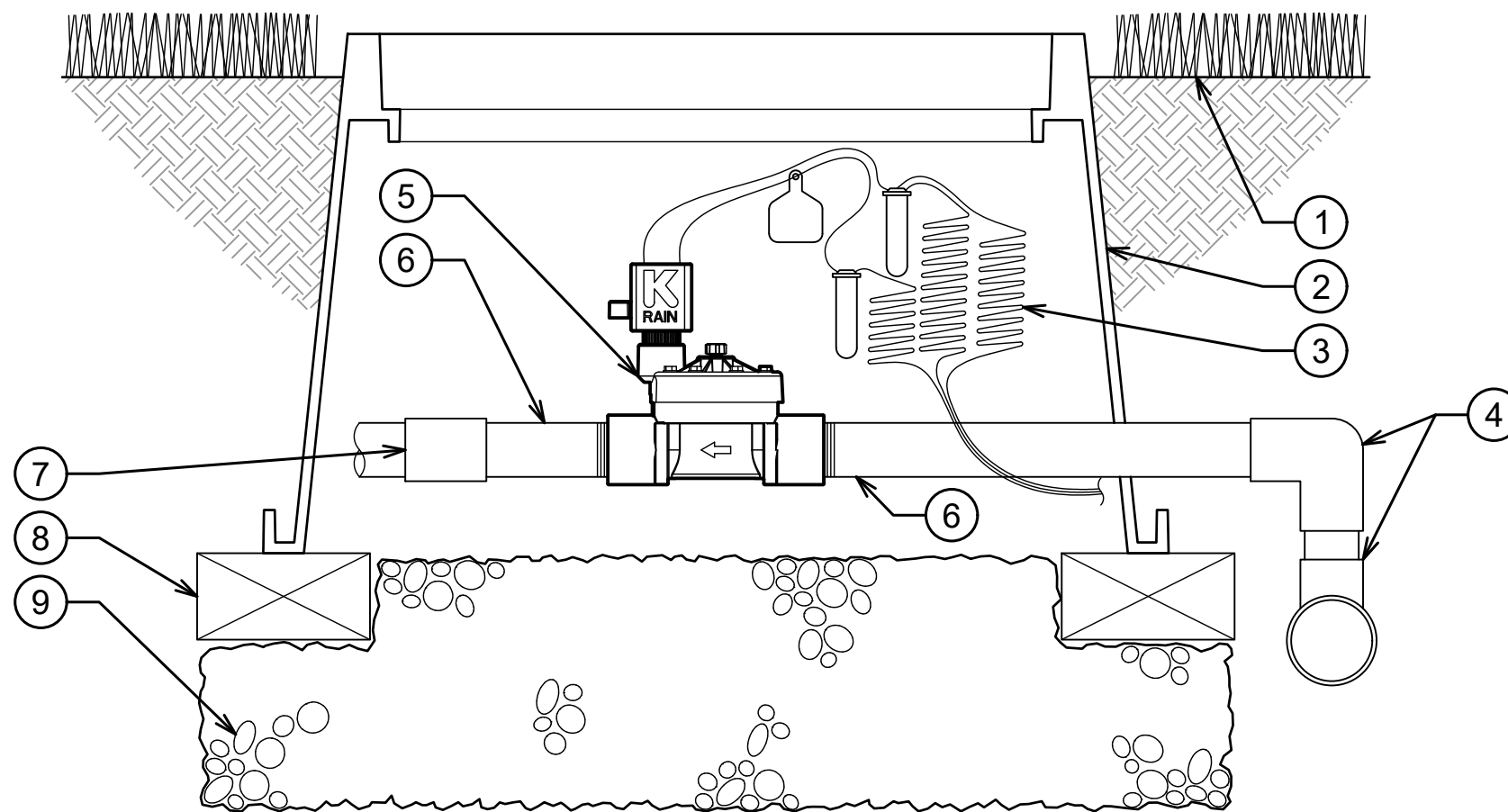
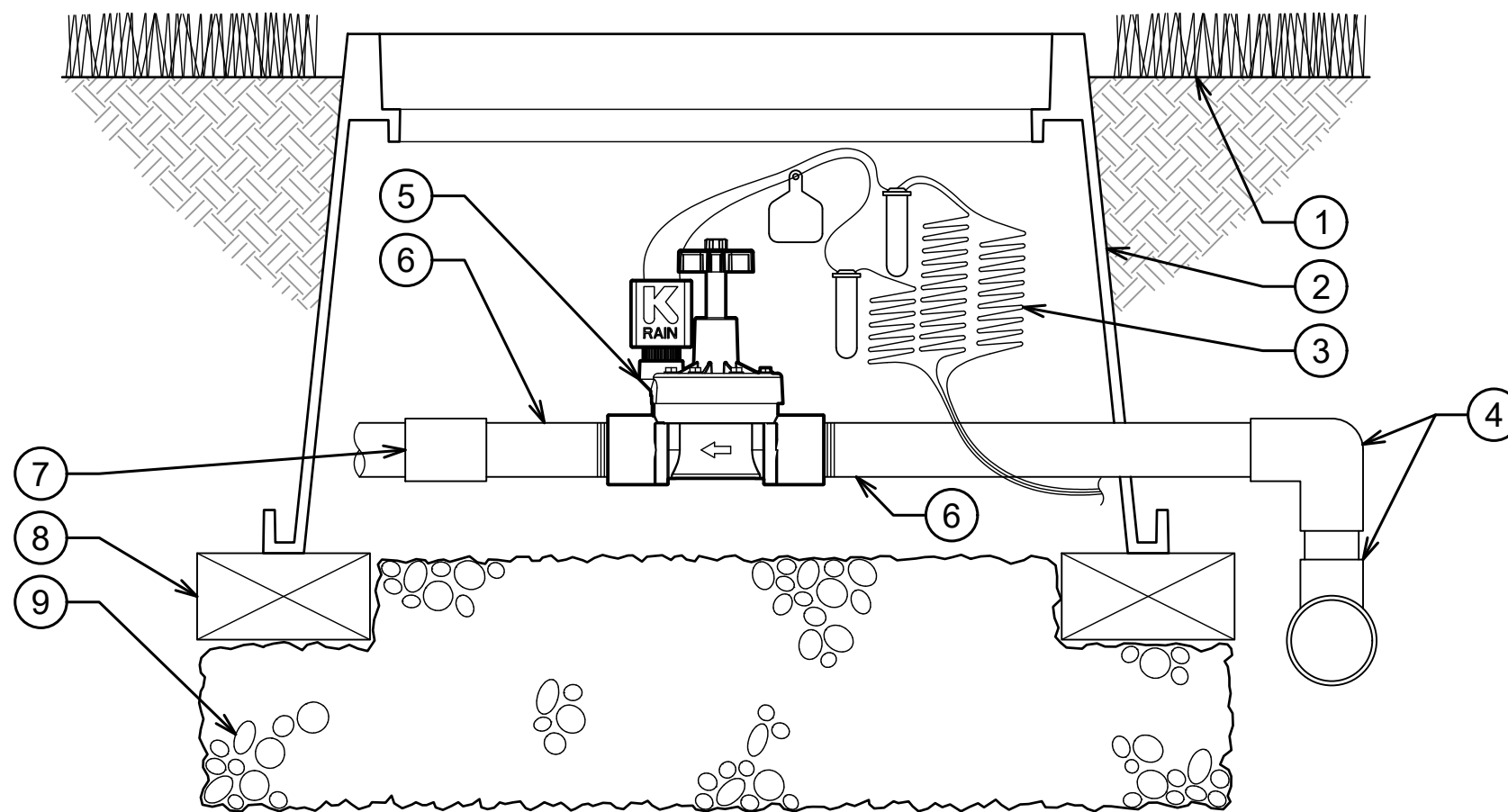


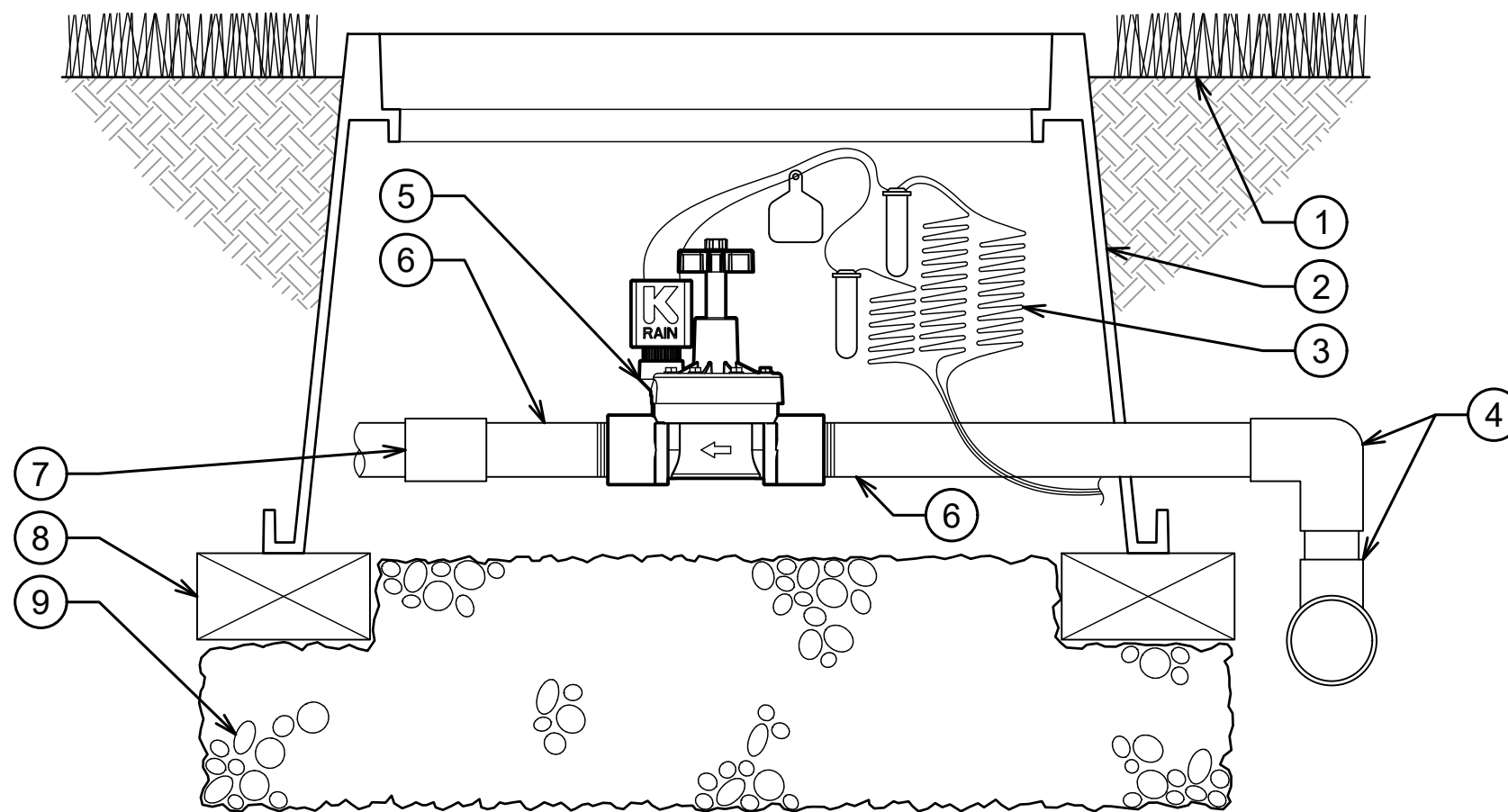
- ① FINISH GRADE
- ② STANDARD VALVE BOX
- ③ 18-24 INCH LINEAR LENGTH OF CONTROL WIRE WITH WATERPROOF CONNECTORS AND ZONE ID TAG
- ④ IRRIGATION MAINLINE AND FITTINGS PER SPECIFICATIONS
- ⑤ K-RAIN PROSERIES 150 VALVE MODEL 7101: REMOTE CONTROL VALVE WITH 1" FEMALE THREAD FITTING, REMOVABLE METERING PIN, AND EXTERNAL BLEED SCREW
- ⑥ PVC SCHEDULE 80 T.O.E. NIPPLE
- ⑦ LATERAL PIPE WITH PVC SCHEDULE 40 ADAPTER
- ⑧ BRICK SUPPORTS (4)
- ⑨ 6" DEPTH OF 3/4" WASHED GRAVEL



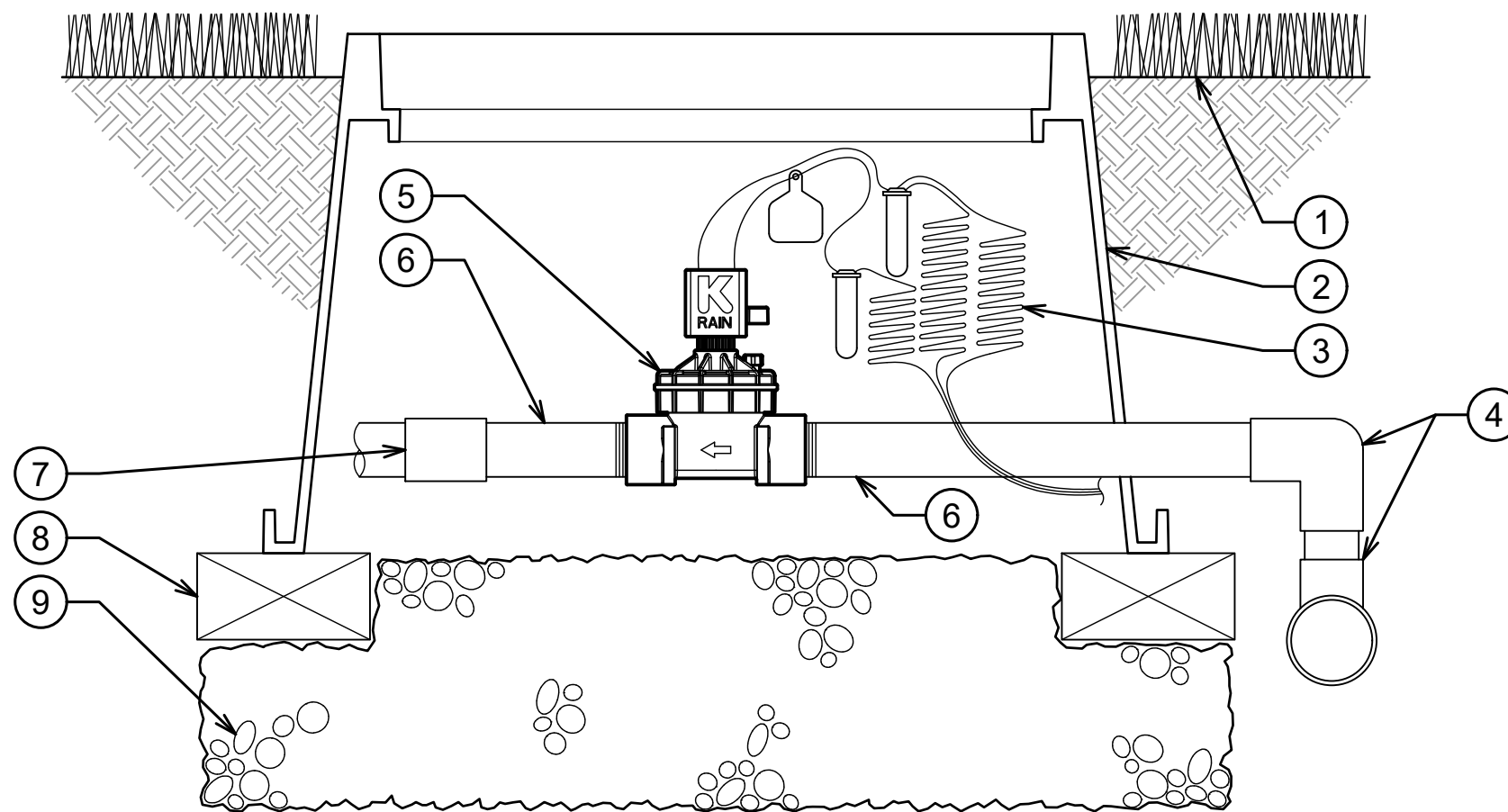
- ① FINISH GRADE
- ② STANDARD VALVE BOX
- ③ 18-24 INCH LINEAR LENGTH OF CONTROL WIRE WITH WATERPROOF CONNECTORS AND ZONE ID TAG
- ④ IRRIGATION MAINLINE AND FITTINGS PER SPECIFICATIONS
- ⑤ K-RAIN PROSERIES 150 VALVE MODEL 7101-BSP: REMOTE CONTROL VALVE WITH 1" FEMALE BSP FITTING, REMOVABLE METERING PIN, AND EXTERNAL BLEED SCREW
- ⑥ PVC SCHEDULE 80 T.O.E. NIPPLE
- ⑦ LATERAL PIPE WITH PVC SCHEDULE 40 ADAPTER
- ⑧ BRICK SUPPORTS (4)
- ⑨ 6" DEPTH OF 3/4" WASHED GRAVEL



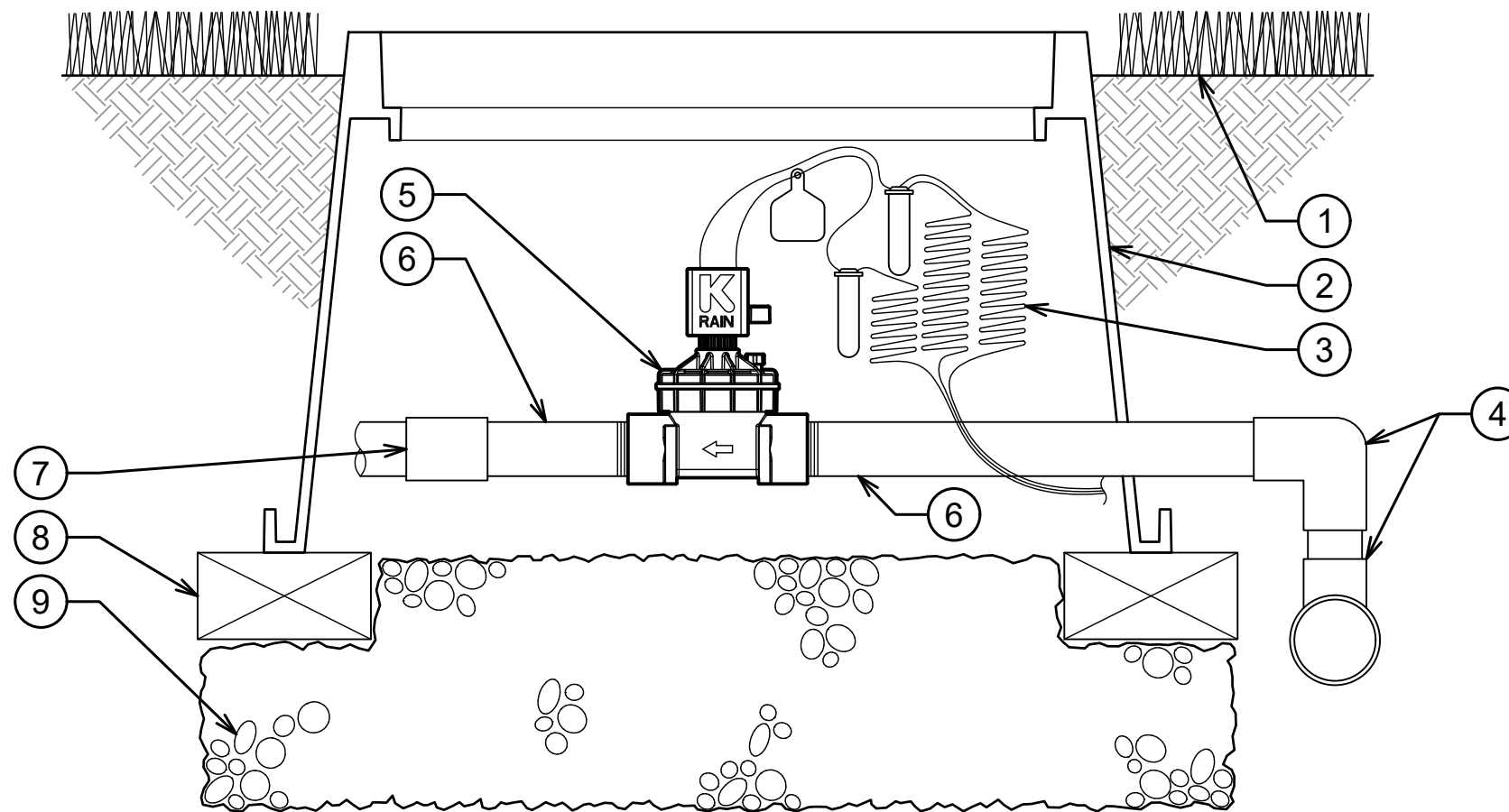
- ① FINISH GRADE
- ② STANDARD VALVE BOX
- ③ 18-24 INCH LINEAR LENGTH OF CONTROL WIRE WITH WATERPROOF CONNECTORS AND ZONE ID TAG
- ④ IRRIGATION MAINLINE AND FITTINGS PER SPECIFICATIONS
- ⑤ K-RAIN PROSERIES 150 VALVE MODEL 7101-BSP-FC: REMOTE CONTROL VALVE WITH 1" FEMALE BSP THREAD FITTING, REMOVABLE METERING PIN, EXTERNAL BLEED SCREW, AND FLOW CONTROL
- ⑥ PVC SCHEDULE 80 T.O.E. NIPPLE
- ⑦ LATERAL PIPE WITH PVC SCHEDULE 40 ADAPTER
- ⑧ BRICK SUPPORTS (4)
- ⑨ 6" DEPTH OF 3/4" WASHED GRAVEL



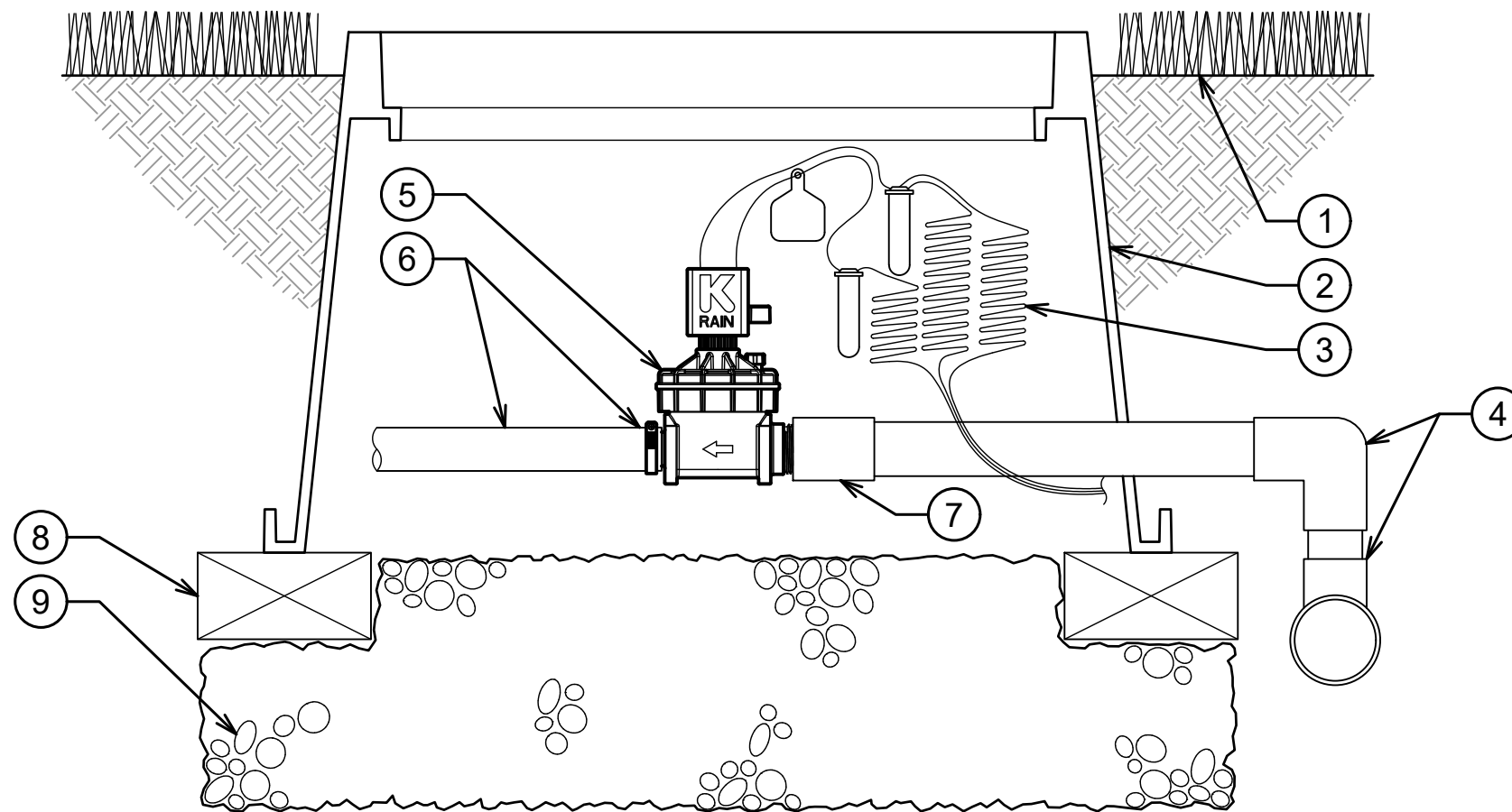
- ① FINISH GRADE
- ② STANDARD VALVE BOX
- ③ 18-24 INCH LINEAR LENGTH OF CONTROL WIRE WITH WATERPROOF CONNECTORS AND ZONE ID TAG
- ④ IRRIGATION MAINLINE AND FITTINGS PER SPECIFICATIONS
- ⑤ K-RAIN PROSERIES 150 VALVE MODEL 7101-FC: REMOTE CONTROL VALVE WITH 1" FEMALE THREAD FITTING, REMOVABLE METERING PIN, EXTERNAL BLEED SCREW, AND FLOW CONTROL
- ⑥ PVC SCHEDULE 80 T.O.E. NIPPLE
- ⑦ LATERAL PIPE WITH PVC SCHEDULE 40 ADAPTER
- ⑧ BRICK SUPPORTS (4)
- ⑨ 6" DEPTH OF 3/4" WASHED GRAVEL



- ① FINISH GRADE
- ② STANDARD VALVE BOX
- ③ 18-24 INCH LINEAR LENGTH OF CONTROL WIRE WITH WATERPROOF CONNECTORS AND ZONE ID TAG
- ④ IRRIGATION MAINLINE AND FITTINGS PER SPECIFICATIONS
- ⑤ K-RAIN PROSERIES 150 VALVE MODEL 7101-J: REMOTE CONTROL JAR-TOP VALVE WITH 1" FEMALE THREAD FITTING, REMOVABLE METERING PIN, AND EXTERNAL BLEED SCREW
- ⑥ PVC SCHEDULE 80 T.O.E. NIPPLE
- ⑦ LATERAL PIPE WITH PVC SCHEDULE 40 ADAPTER
- ⑧ BRICK SUPPORTS (4)
- ⑨ 6" DEPTH OF 3/4" WASHED GRAVEL

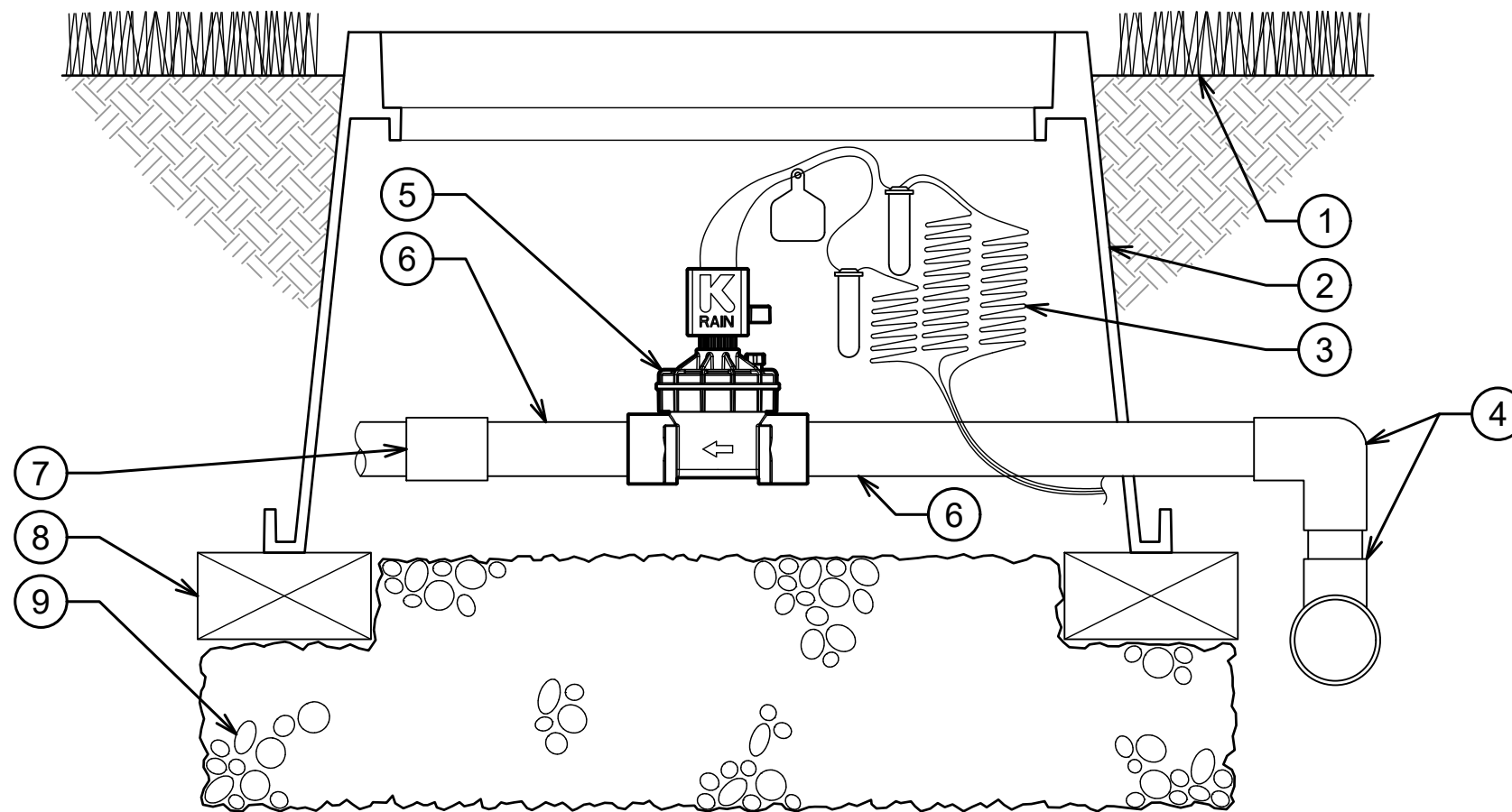


- ① FINISH GRADE
- ② STANDARD VALVE BOX
- ③ 18-24 INCH LINEAR LENGTH OF CONTROL WIRE WITH WATERPROOF CONNECTORS AND ZONE ID TAG
- ④ IRRIGATION MAINLINE AND FITTINGS PER SPECIFICATIONS
- ⑤ K-RAIN PROSERIES 150 VALVE MODEL 7101-J-BSP: REMOTE CONTROL JAR-TOP VALVE WITH 1" FEMALE BSP FITTING, REMOVABLE METERING PIN, AND EXTERNAL BLEED SCREW
- ⑥ PVC SCHEDULE 80 T.O.E. NIPPLE
- ⑦ LATERAL PIPE WITH PVC SCHEDULE 40 ADAPTER
- ⑧ BRICK SUPPORTS (4)
- ⑨ 6" DEPTH OF 3/4" WASHED GRAVEL



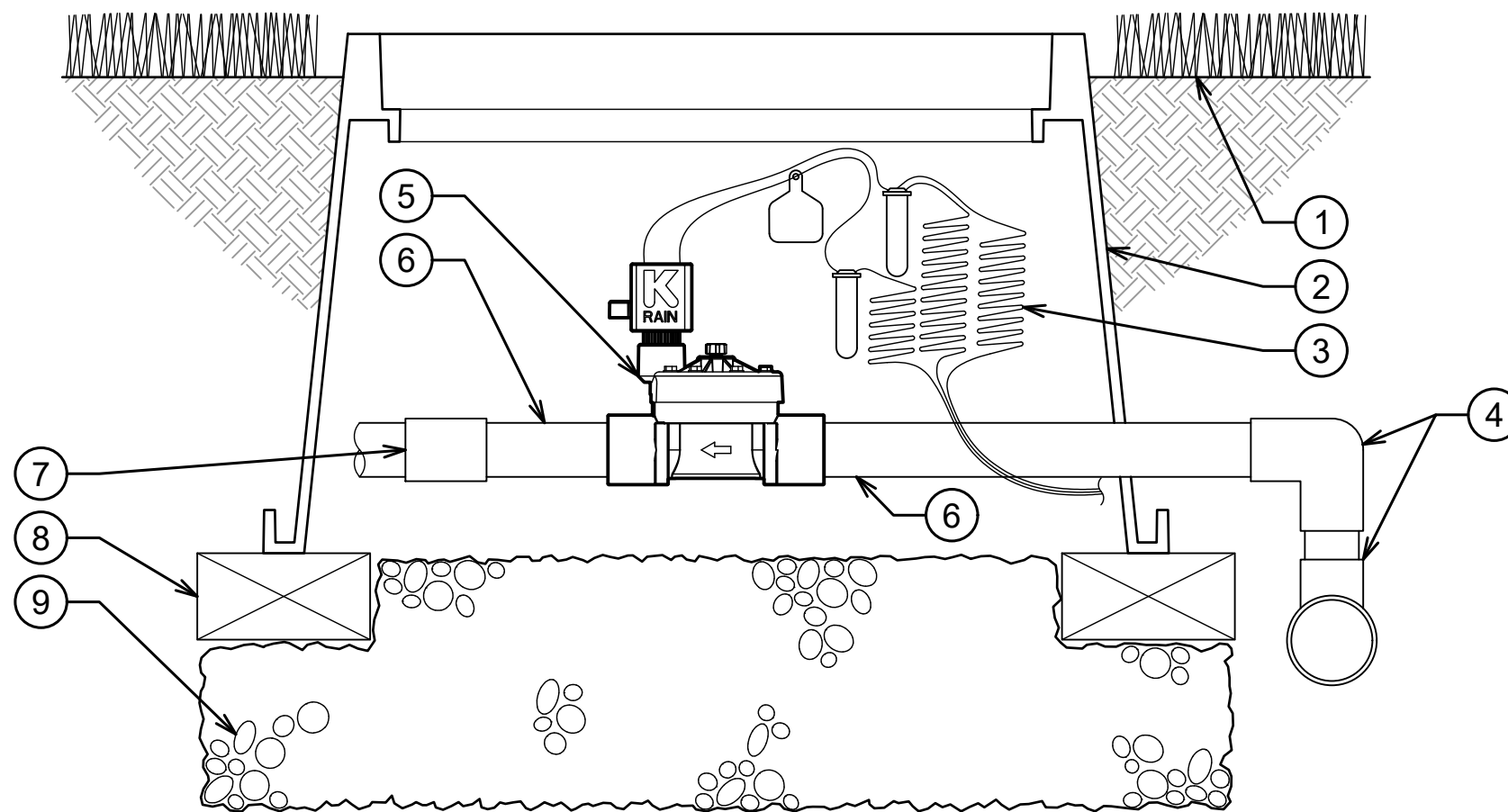
- ① FINISH GRADE
- ② STANDARD VALVE BOX
- ③ 18-24 INCH LINEAR LENGTH OF CONTROL WIRE WITH WATERPROOF CONNECTORS AND ZONE ID TAG
- ④ IRRIGATION MAINLINE AND FITTINGS PER SPECIFICATIONS
- ⑤ K-RAIN PROSERIES 150 VALVE MODEL 7101-J-MXB: REMOTE CONTROL JAR-TOP VALVE WITH 1" MALE THREADED FITTING X 1" BARB, REMOVABLE METERING PIN, AND EXTERNAL BLEED SCREW
- ⑥ POLYETHYLENE LATERAL PIPE WITH STAINLESS STEEL PIPE CLAMP
- ⑦ PVC SCHEDULE 40 FEMALE THREADED ADAPTER
- ⑧ BRICK SUPPORTS (4)
- ⑨ 6" DEPTH OF 3/4" WASHED GRAVEL



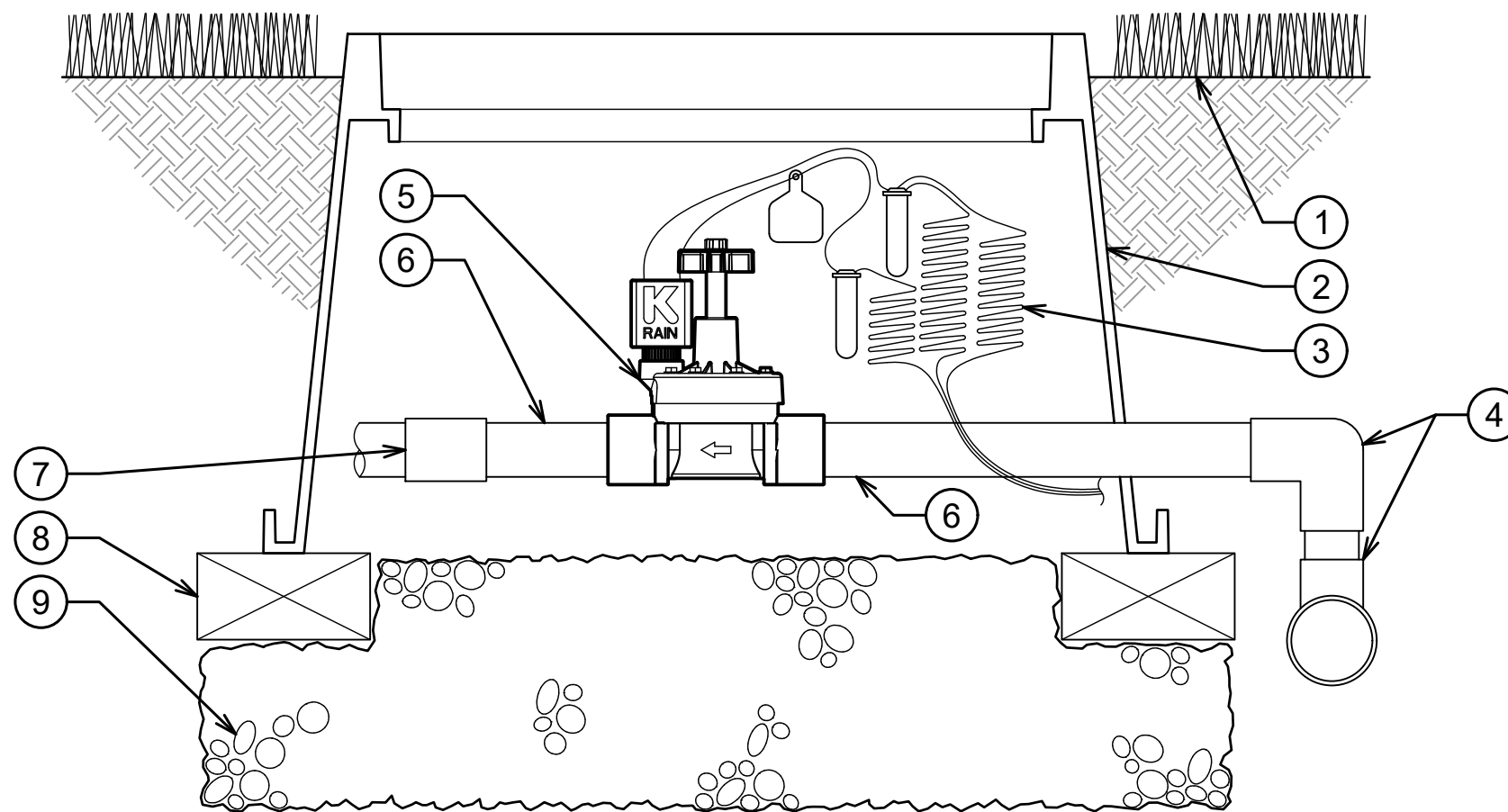


- ① FINISH GRADE
- ② STANDARD VALVE BOX
- ③ 18-24 INCH LINEAR LENGTH OF CONTROL WIRE WITH WATERPROOF CONNECTORS AND ZONE ID TAG
- ④ IRRIGATION MAINLINE AND FITTINGS PER SPECIFICATIONS
- ⑤ K-RAIN PROSERIES 150 VALVE MODEL 7101-J-SL: REMOTE CONTROL JAR-TOP VALVE WITH 1" SLIP FITTING, REMOVABLE METERING PIN, AND EXTERNAL BLEED SCREW
- ⑥ PVC SCHEDULE 80 NIPPLE
- ⑦ LATERAL PIPE WITH PVC SCHEDULE 40 ADAPTER
- ⑧ BRICK SUPPORTS (4)
- ⑨ 6" DEPTH OF 3/4" WASHED GRAVEL

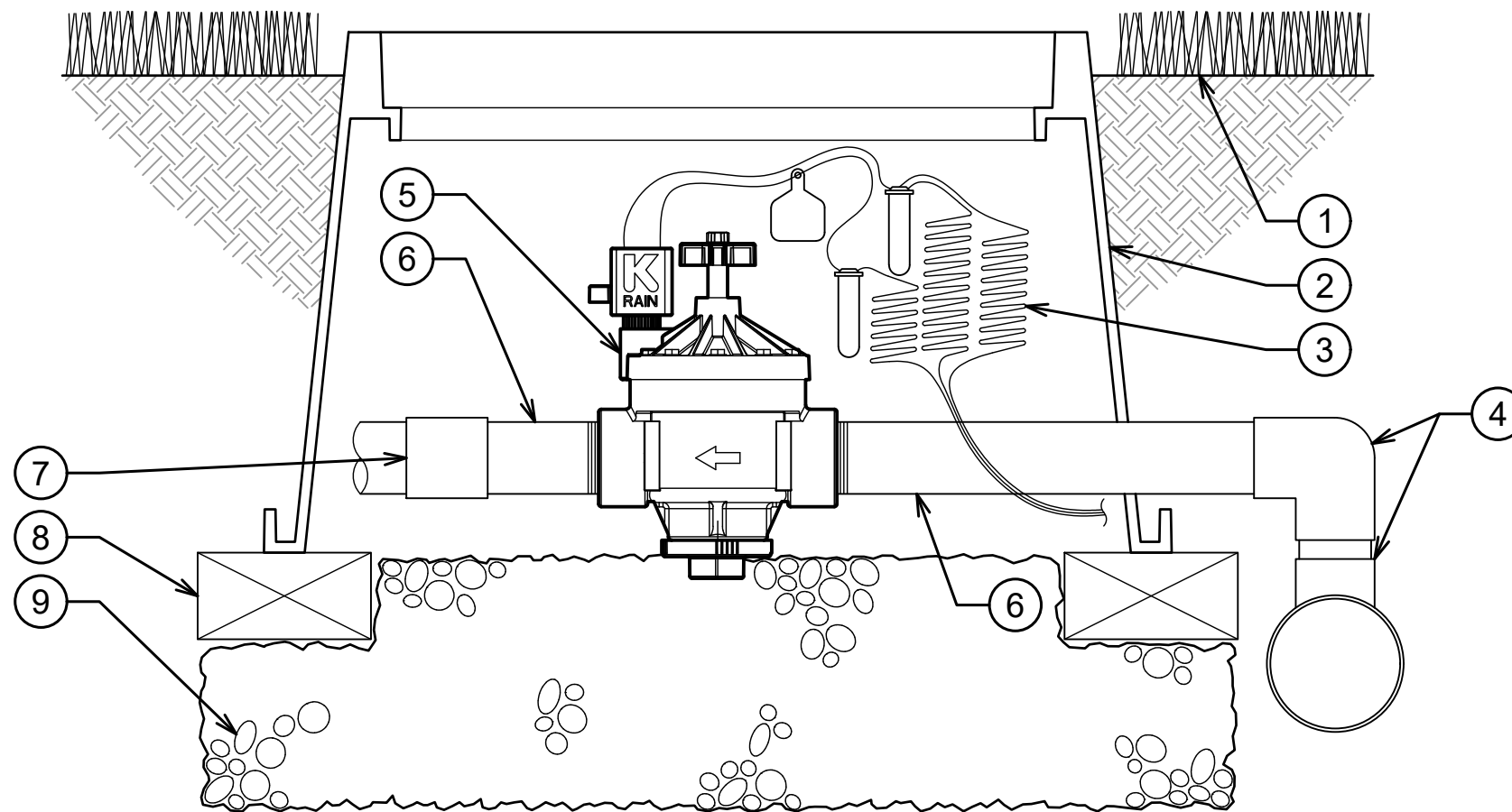




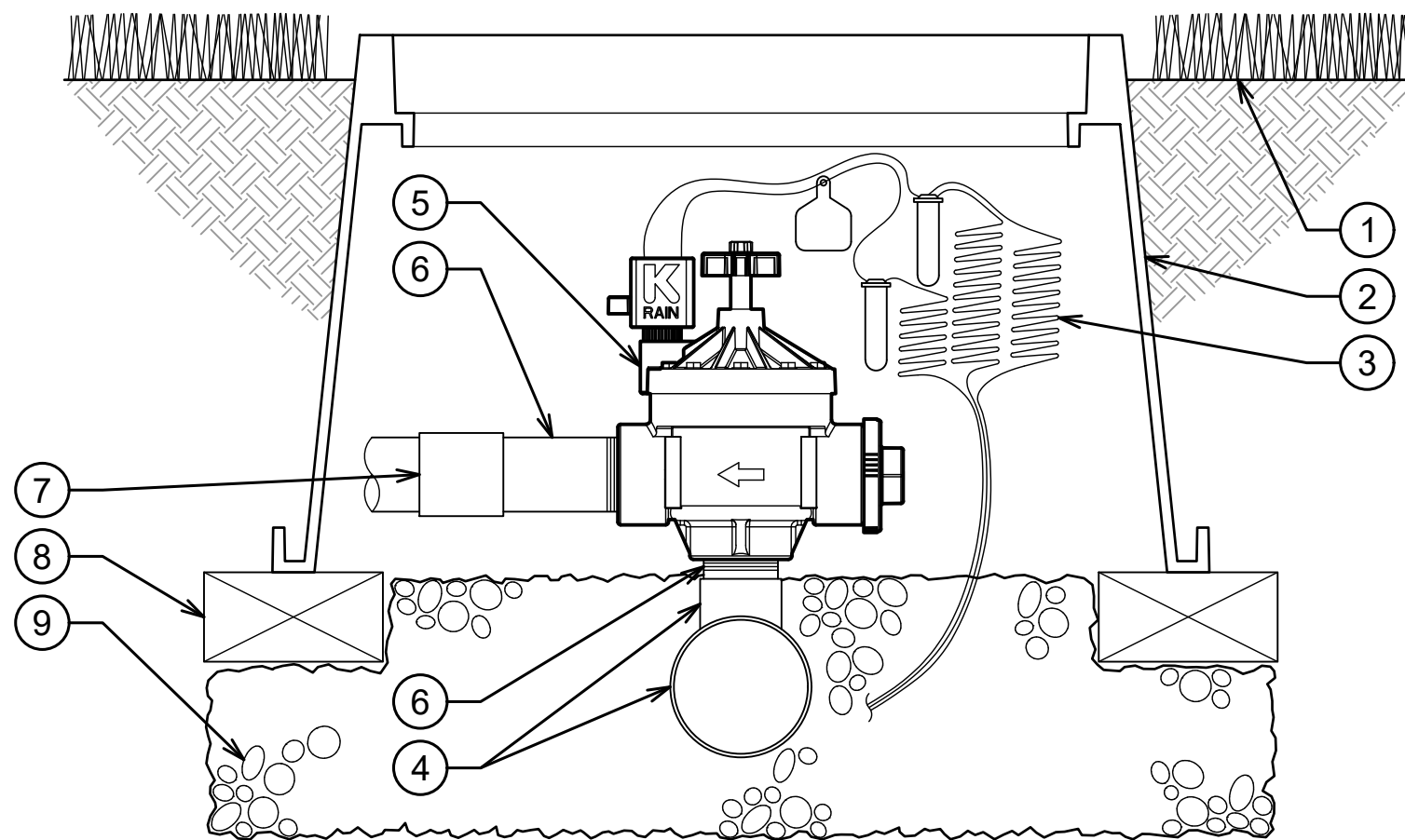
- ① FINISH GRADE
- ② STANDARD VALVE BOX
- ③ 18-24 INCH LINEAR LENGTH OF CONTROL WIRE WITH WATERPROOF CONNECTORS AND ZONE ID TAG
- ④ IRRIGATION MAINLINE AND FITTINGS PER SPECIFICATIONS
- ⑤ K-RAIN PROSERIES 150 VALVE MODEL 7101-SL: REMOTE CONTROL VALVE WITH 1" SLIP FITTING, REMOVABLE METERING PIN, AND EXTERNAL BLEED SCREW
- ⑥ PVC SCHEDULE 80 NIPPLE
- ⑦ LATERAL PIPE WITH PVC SCHEDULE 40 ADAPTER
- ⑧ BRICK SUPPORTS (4)
- ⑨ 6" DEPTH OF 3/4" WASHED GRAVEL



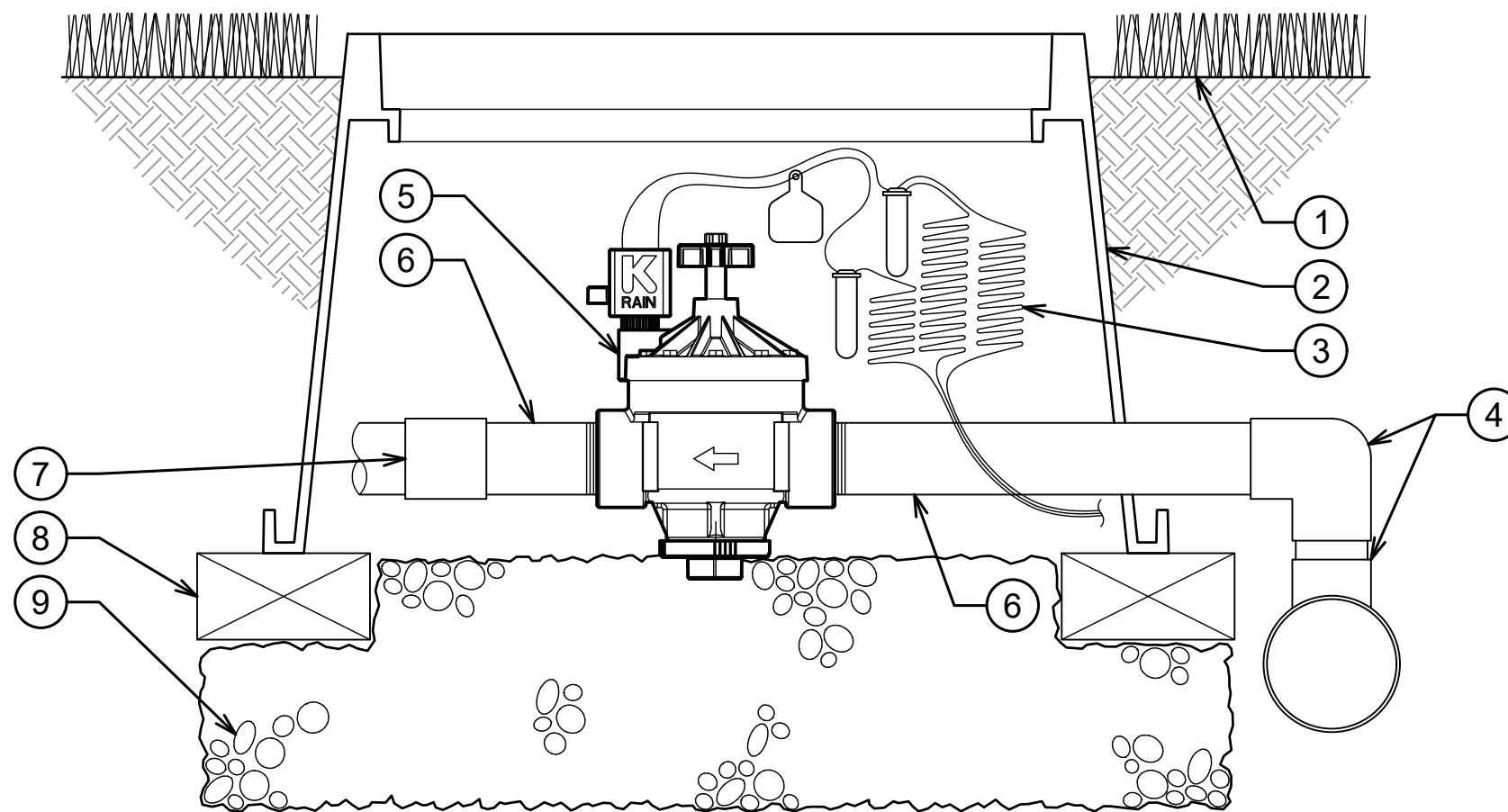
- ① FINISH GRADE
- ② STANDARD VALVE BOX
- ③ 18-24 INCH LINEAR LENGTH OF CONTROL WIRE WITH WATERPROOF CONNECTORS AND ZONE ID TAG
- ④ IRRIGATION MAINLINE AND FITTINGS PER SPECIFICATIONS
- ⑤ K-RAIN PROSERIES 150 VALVE MODEL 7101-SL-FC: REMOTE CONTROL VALVE WITH 1" SLIP FITTING, REMOVABLE METERING PIN, EXTERNAL BLEED SCREW, AND FLOW CONTROL
- ⑥ PVC SCHEDULE 80 NIPPLE
- ⑦ LATERAL PIPE WITH PVC SCHEDULE 40 ADAPTER
- ⑧ BRICK SUPPORTS (4)
- ⑨ 6" DEPTH OF 3/4" WASHED GRAVEL



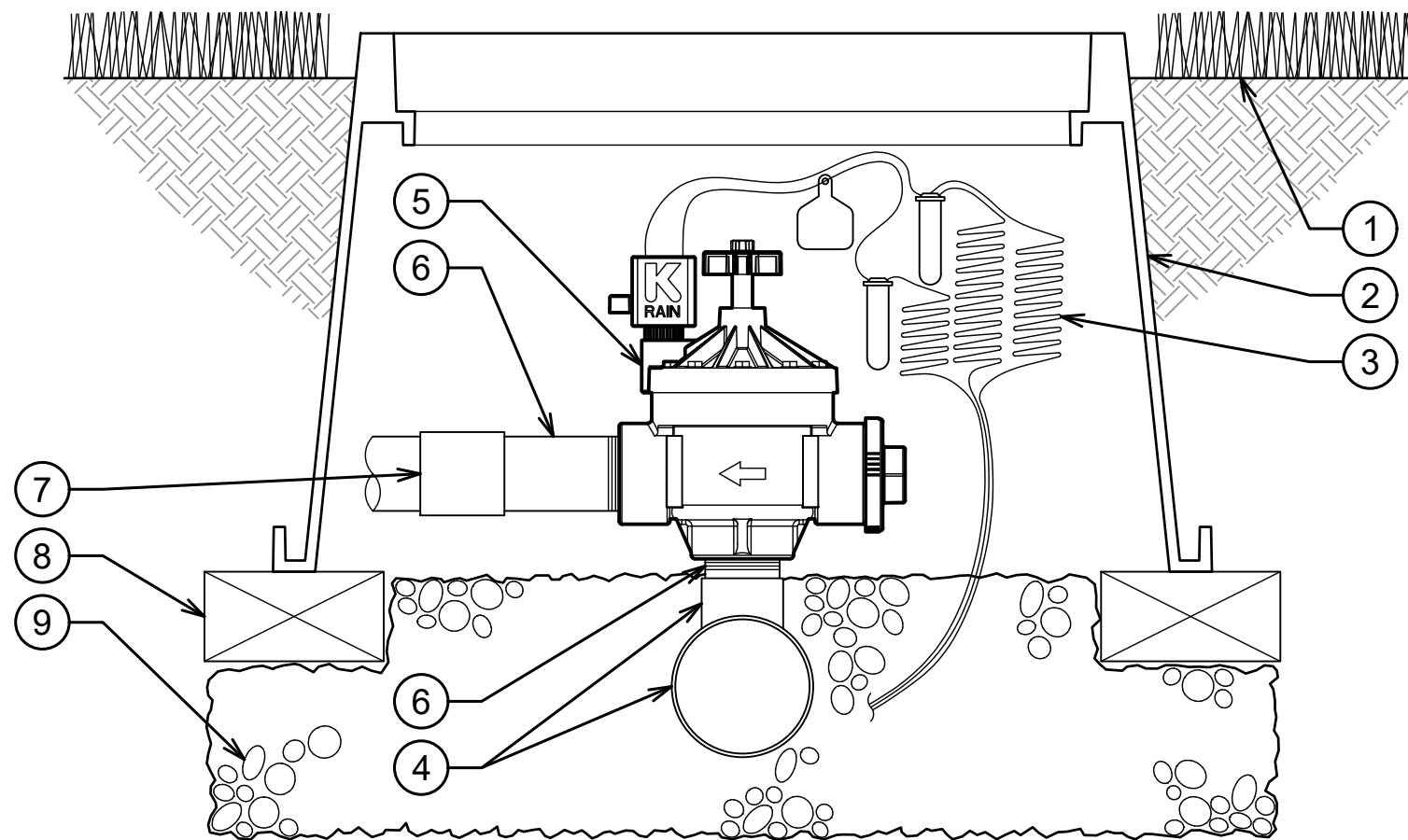
- ① FINISH GRADE
- ② STANDARD VALVE BOX
- ③ 18-24 INCH LINEAR LENGTH OF CONTROL WIRE WITH WATERPROOF CONNECTORS AND ZONE ID TAG
- ④ IRRIGATION MAINLINE AND FITTINGS PER SPECIFICATIONS
- ⑤ K-RAIN PROSERIES 150 VALVE MODEL 7115: REMOTE CONTROL VALVE WITH 1-1/2" FEMALE THREAD FITTING, REMOVABLE METERING PIN, EXTERNAL BLEED SCREW, AND FLOW CONTROL
- ⑥ PVC SCHEDULE 80 T.O.E. NIPPLE
- ⑦ LATERAL PIPE WITH PVC SCHEDULE 40 ADAPTER
- ⑧ BRICK SUPPORTS (4)
- ⑨ 6" DEPTH OF 3/4" WASHED GRAVEL



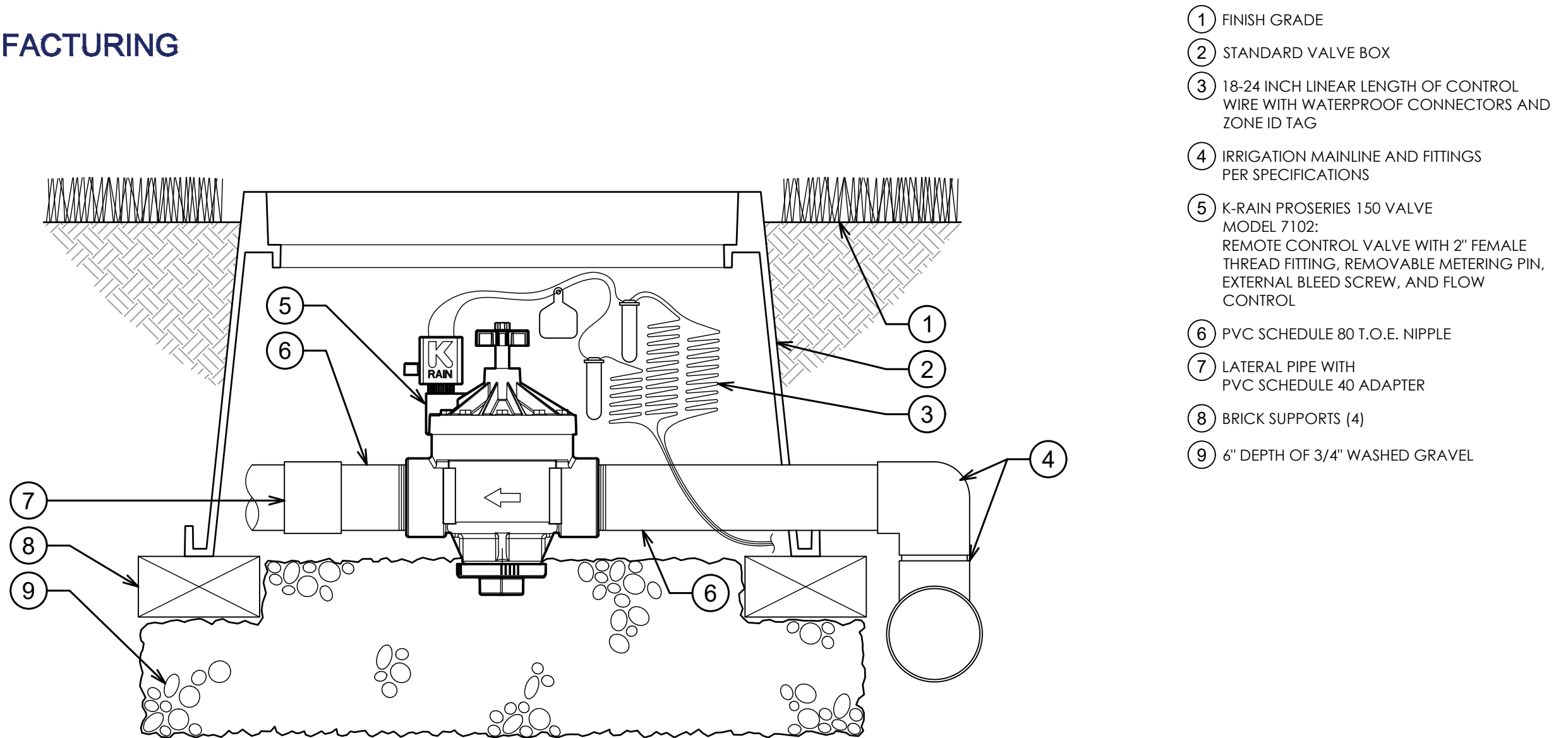
- ① FINISH GRADE
- ② STANDARD VALVE BOX
- ③ 18-24 INCH LINEAR LENGTH OF CONTROL WIRE WITH WATERPROOF CONNECTORS AND ZONE ID TAG
- ④ IRRIGATION MAINLINE AND FITTINGS PER SPECIFICATIONS
- ⑤ K-RAIN PROSERIES 150 VALVE MODEL 7115: REMOTE CONTROL VALVE WITH 1-1/2" FEMALE THREAD FITTING, REMOVABLE METERING PIN, EXTERNAL BLEED SCREW, AND FLOW CONTROL
- ⑥ PVC SCHEDULE 80 T.O.E. NIPPLE
- ⑦ LATERAL PIPE WITH PVC SCHEDULE 40 ADAPTER
- ⑧ BRICK SUPPORTS (4)
- ⑨ 6" DEPTH OF 3/4" WASHED GRAVEL



- ① FINISH GRADE
- ② STANDARD VALVE BOX
- ③ 18-24 INCH LINEAR LENGTH OF CONTROL WIRE WITH WATERPROOF CONNECTORS AND ZONE ID TAG
- ④ IRRIGATION MAINLINE AND FITTINGS PER SPECIFICATIONS
- ⑤ K-RAIN PROSERIES 150 VALVE MODEL 7115-BSP: REMOTE CONTROL VALVE WITH 1-1/2" FEMALE BSP THREAD FITTING, REMOVABLE METERING PIN, EXTERNAL BLEED SCREW, AND FLOW CONTROL
- ⑥ PVC SCHEDULE 80 T.O.E. NIPPLE
- ⑦ LATERAL PIPE WITH PVC SCHEDULE 40 ADAPTER
- ⑧ BRICK SUPPORTS (4)
- ⑨ 6" DEPTH OF 3/4" WASHED GRAVEL

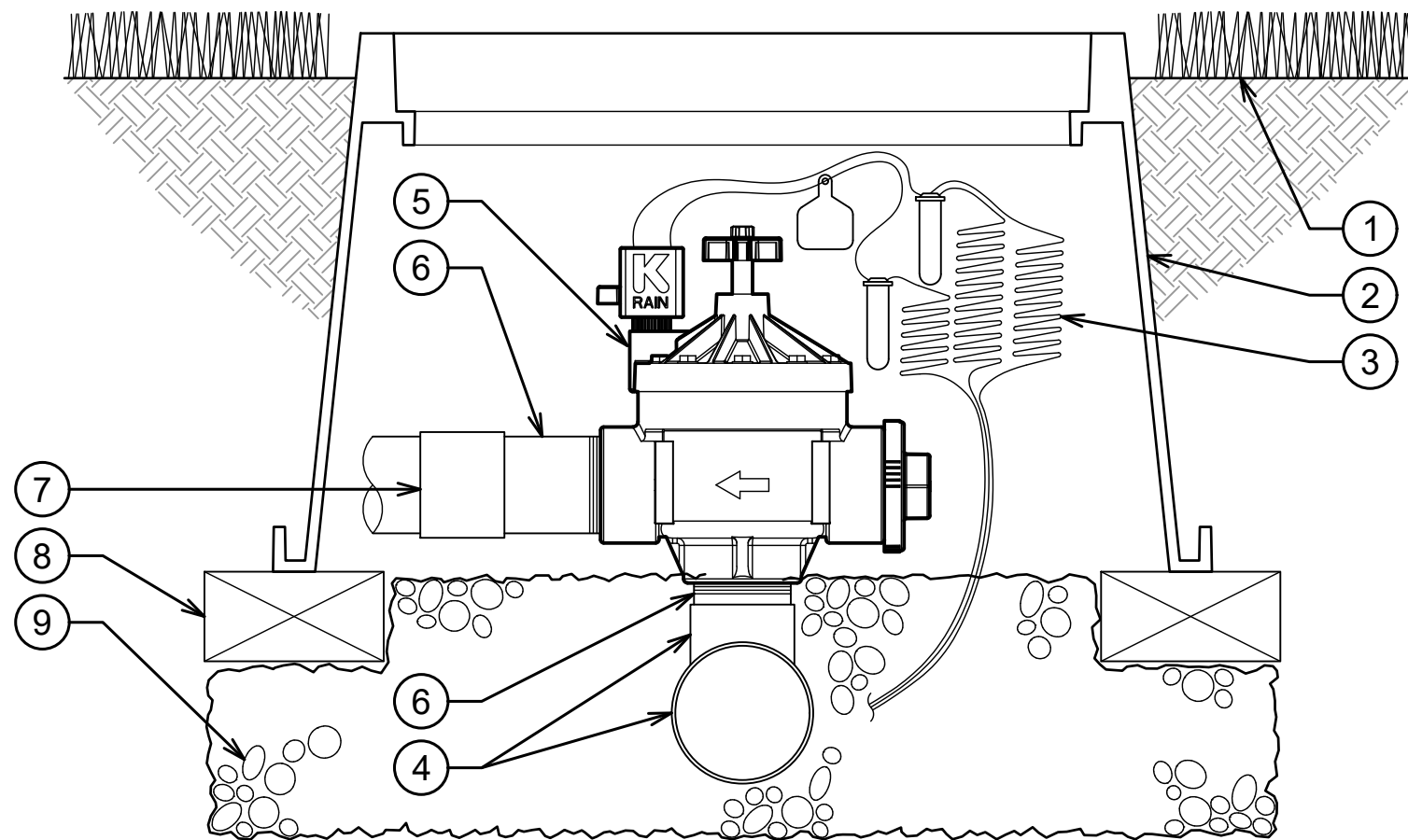


- ① FINISH GRADE
- ② STANDARD VALVE BOX
- ③ 18-24 INCH LINEAR LENGTH OF CONTROL WIRE WITH WATERPROOF CONNECTORS AND ZONE ID TAG
- ④ IRRIGATION MAINLINE AND FITTINGS PER SPECIFICATIONS
- ⑤ K-RAIN PROSERIES 150 VALVE MODEL 7115-BSP: REMOTE CONTROL VALVE WITH 1-1/2" FEMALE BSP THREAD FITTING, REMOVABLE METERING PIN, EXTERNAL BLEED SCREW, AND FLOW CONTROL
- ⑥ PVC SCHEDULE 80 T.O.E. NIPPLE
- ⑦ LATERAL PIPE WITH PVC SCHEDULE 40 ADAPTER
- ⑧ BRICK SUPPORTS (4)
- ⑨ 6" DEPTH OF 3/4" WASHED GRAVEL

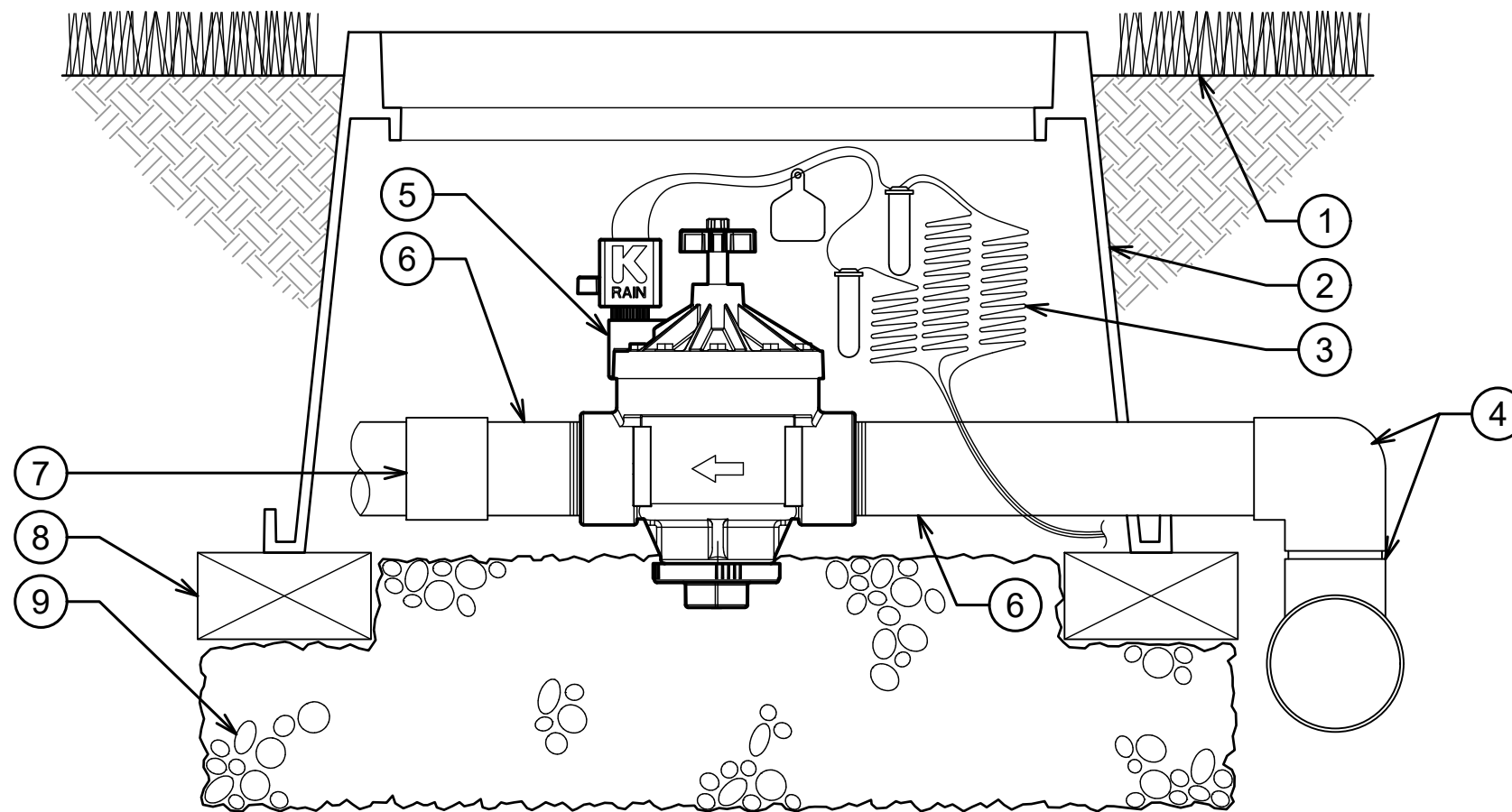


- ① FINISH GRADE
- ② STANDARD VALVE BOX
- ③ 18-24 INCH LINEAR LENGTH OF CONTROL WIRE WITH WATERPROOF CONNECTORS AND ZONE ID TAG
- ④ IRRIGATION MAINLINE AND FITTINGS PER SPECIFICATIONS
- ⑤ K-RAIN PROSERIES 150 VALVE MODEL 7102: REMOTE CONTROL VALVE WITH 2" FEMALE THREAD FITTING, REMOVABLE METERING PIN, EXTERNAL BLEED SCREW, AND FLOW CONTROL
- ⑥ PVC SCHEDULE 80 T.O.E. NIPPLE
- ⑦ LATERAL PIPE WITH PVC SCHEDULE 40 ADAPTER
- ⑧ BRICK SUPPORTS (4)
- ⑨ 6" DEPTH OF 3/4" WASHED GRAVEL

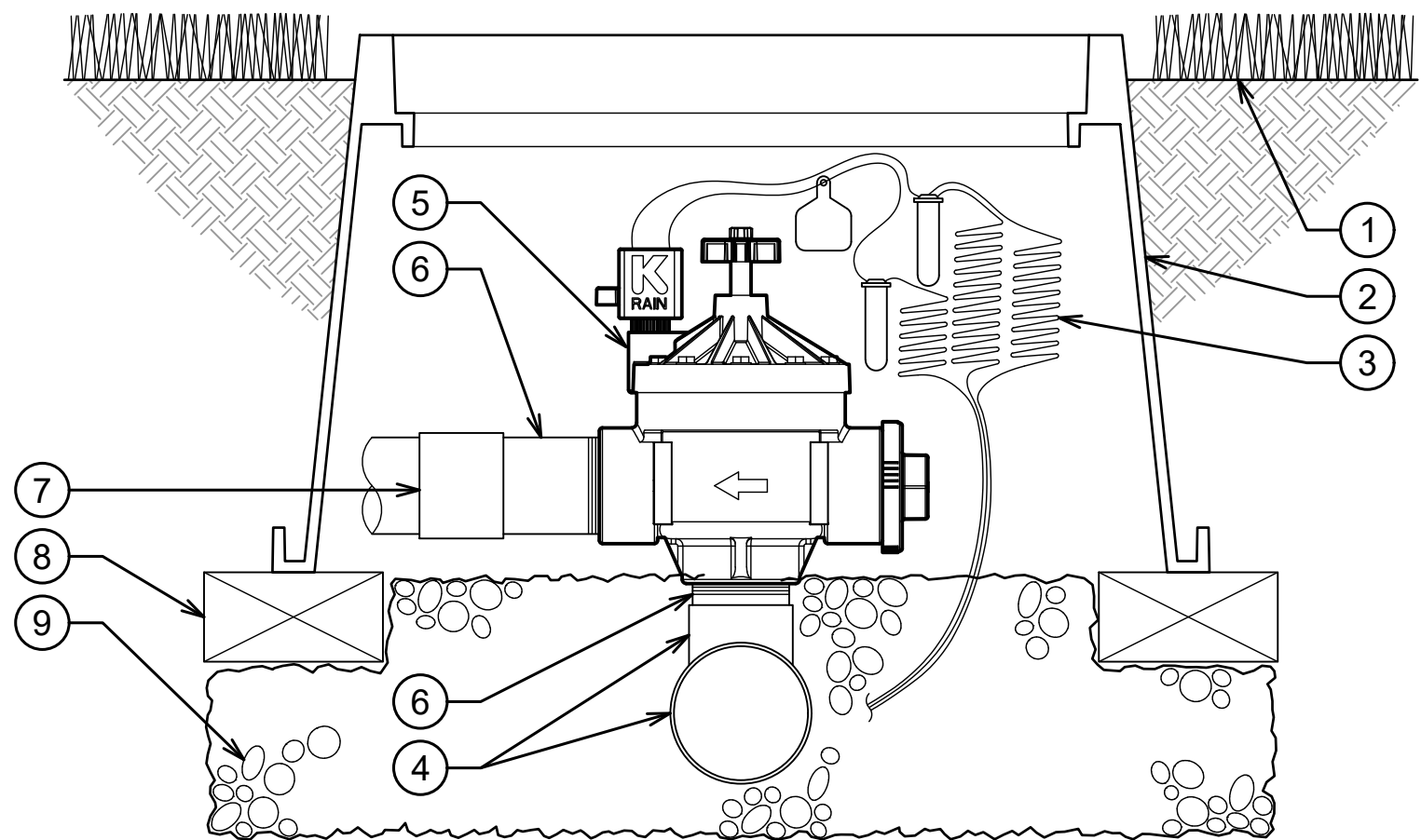




- ① FINISH GRADE
- ② STANDARD VALVE BOX
- ③ 18-24 INCH LINEAR LENGTH OF CONTROL WIRE WITH WATERPROOF CONNECTORS AND ZONE ID TAG
- ④ IRRIGATION MAINLINE AND FITTINGS PER SPECIFICATIONS
- ⑤ K-RAIN PROSERIES 150 VALVE MODEL 7102: REMOTE CONTROL VALVE WITH 2" FEMALE THREAD FITTING, REMOVABLE METERING PIN, EXTERNAL BLEED SCREW, AND FLOW CONTROL
- ⑥ PVC SCHEDULE 80 T.O.E. NIPPLE
- ⑦ LATERAL PIPE WITH PVC SCHEDULE 40 ADAPTER
- ⑧ BRICK SUPPORTS (4)
- ⑨ 6" DEPTH OF 3/4" WASHED GRAVEL



- ① FINISH GRADE
- ② STANDARD VALVE BOX
- ③ 18-24 INCH LINEAR LENGTH OF CONTROL WIRE WITH WATERPROOF CONNECTORS AND ZONE ID TAG
- ④ IRRIGATION MAINLINE AND FITTINGS PER SPECIFICATIONS
- ⑤ K-RAIN PROSERIES 150 VALVE MODEL 7102-BSP: REMOTE CONTROL VALVE WITH 2" FEMALE BSP THREAD FITTING, REMOVABLE METERING PIN, EXTERNAL BLEED SCREW, AND FLOW CONTROL
- ⑥ PVC SCHEDULE 80 T.O.E. NIPPLE
- ⑦ LATERAL PIPE WITH PVC SCHEDULE 40 ADAPTER
- ⑧ BRICK SUPPORTS (4)
- ⑨ 6" DEPTH OF 3/4" WASHED GRAVEL



- ① FINISH GRADE
- ② STANDARD VALVE BOX
- ③ 18-24 INCH LINEAR LENGTH OF CONTROL WIRE WITH WATERPROOF CONNECTORS AND ZONE ID TAG
- ④ IRRIGATION MAINLINE AND FITTINGS PER SPECIFICATIONS
- ⑤ K-RAIN PROSERIES 150 VALVE MODEL 7102-BSP: REMOTE CONTROL VALVE WITH 2" FEMALE BSP THREAD FITTING, REMOVABLE METERING PIN, EXTERNAL BLEED SCREW, AND FLOW CONTROL
- ⑥ PVC SCHEDULE 80 T.O.E. NIPPLE
- ⑦ LATERAL PIPE WITH PVC SCHEDULE 40 ADAPTER
- ⑧ BRICK SUPPORTS (4)
- ⑨ 6" DEPTH OF 3/4" WASHED GRAVEL