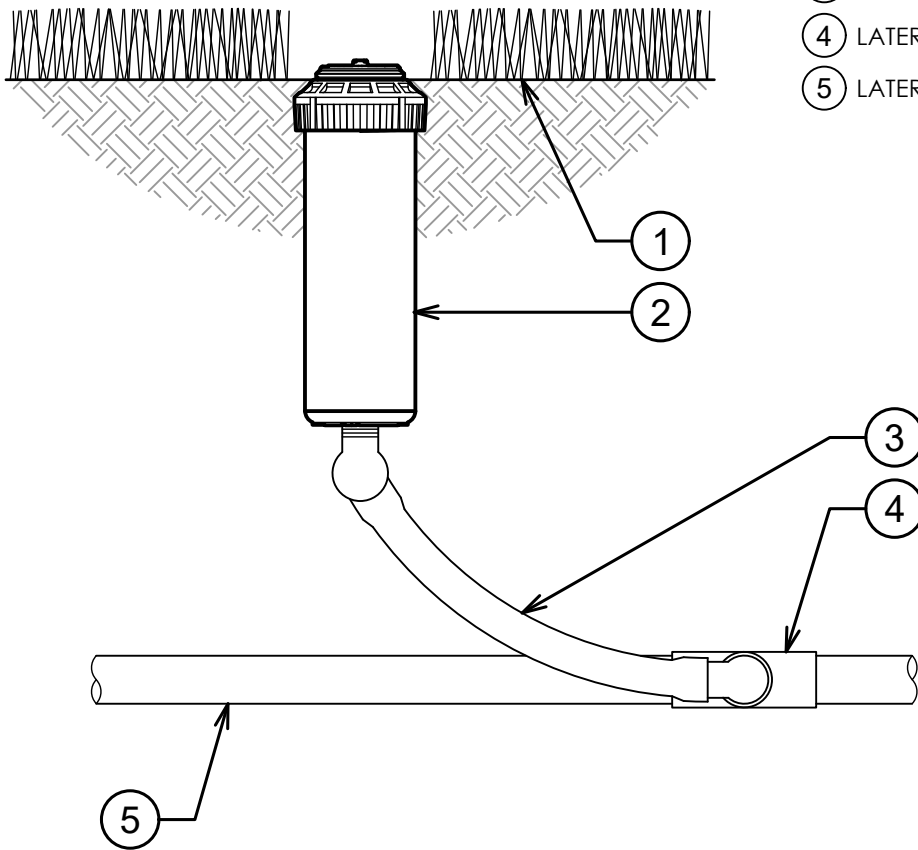


- ① FINISH GRADE
- ② K-RAIN SUPERPRO GEAR DRIVE ROTOR MODEL 10003: 4" POP-UP ROTOR WITH INTELLIGENT FLOW TECHNOLOGY™
- ③ 3/4" FLEX SWING JOINT
- ④ LATERAL TEE OR ELL
- ⑤ LATERAL PIPE

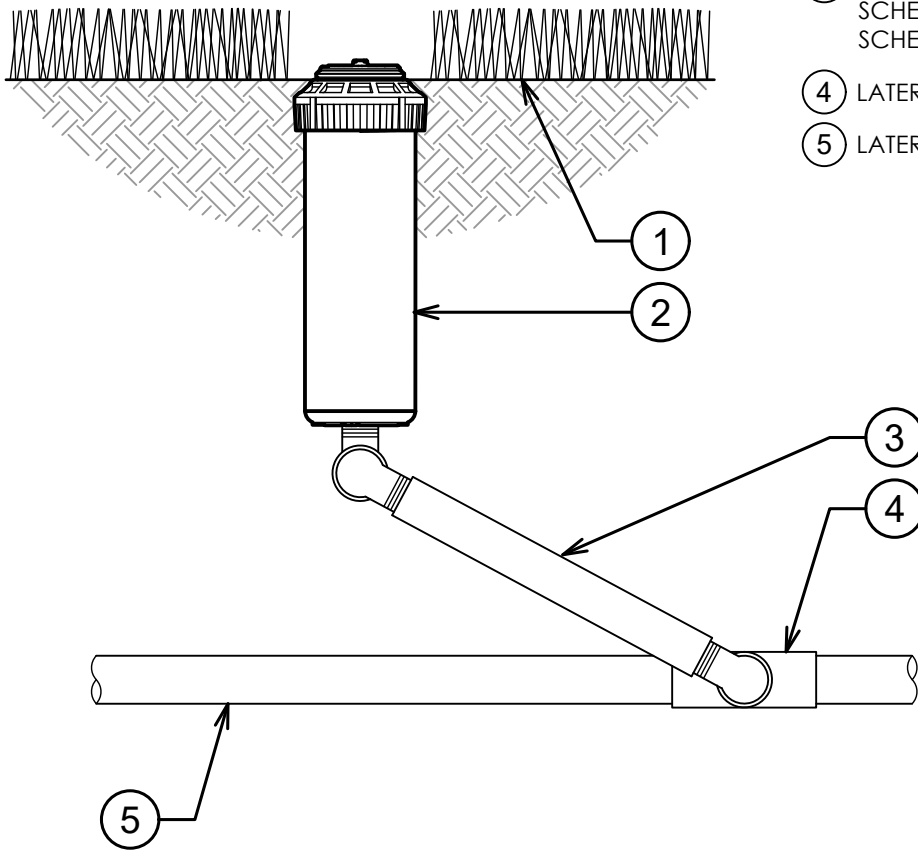


K-RAIN SUPERPRO ROTOR WITH 4" POP-UP

3" = 1'-0"

www.krain.com

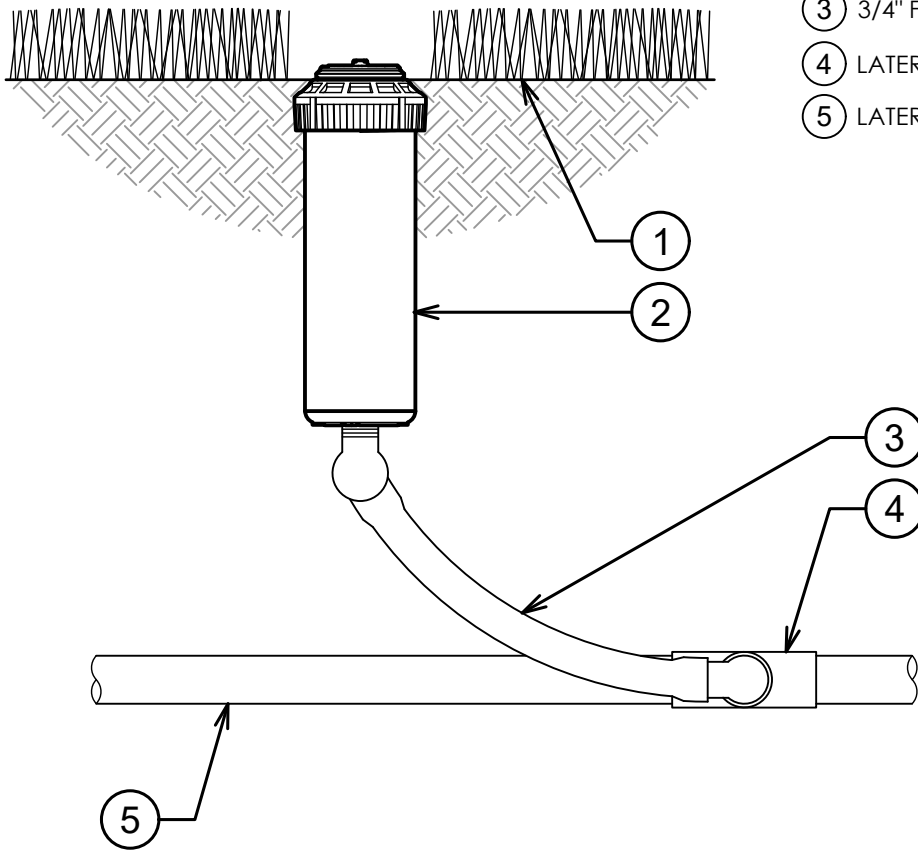
- ① FINISH GRADE
- ② K-RAIN SUPERPRO GEAR DRIVE ROTOR MODEL 10003:
4" POP-UP ROTOR WITH INTELLIGENT FLOW TECHNOLOGY™
- ③ 3/4" RIGID SWING JOINT:
SCHEDULE 80 NIPPLE,
SCHEDULE 40 STREET ELLS
- ④ LATERAL TEE OR ELL
- ⑤ LATERAL PIPE



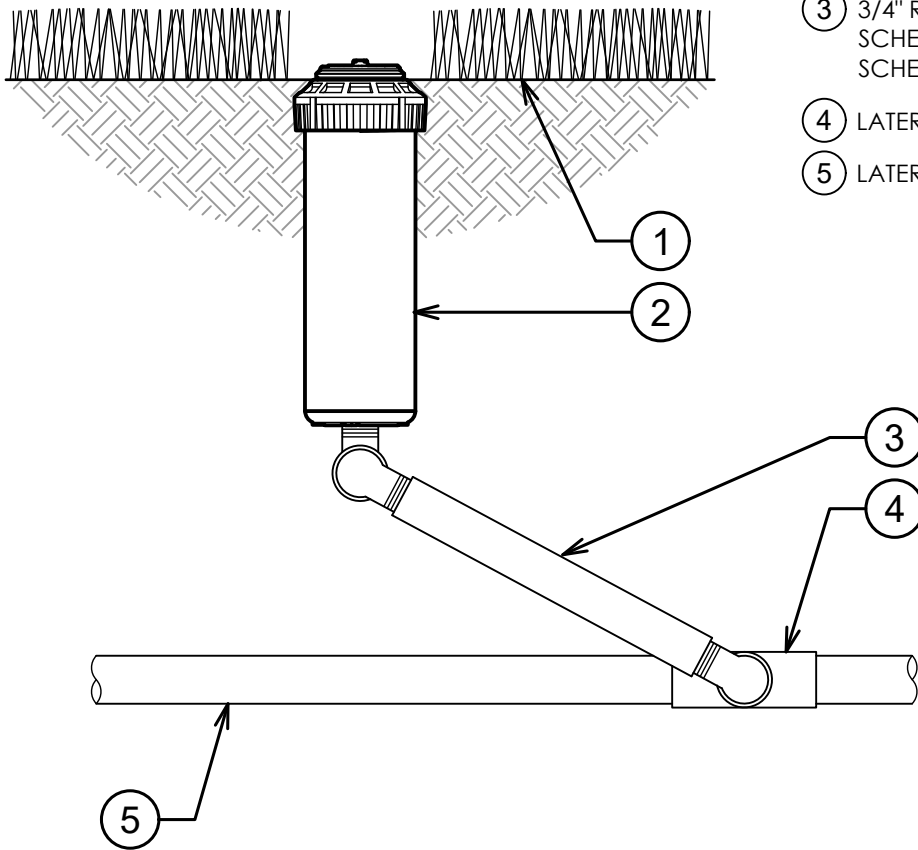
K-RAIN SUPERPRO ROTOR WITH 4" POP-UP

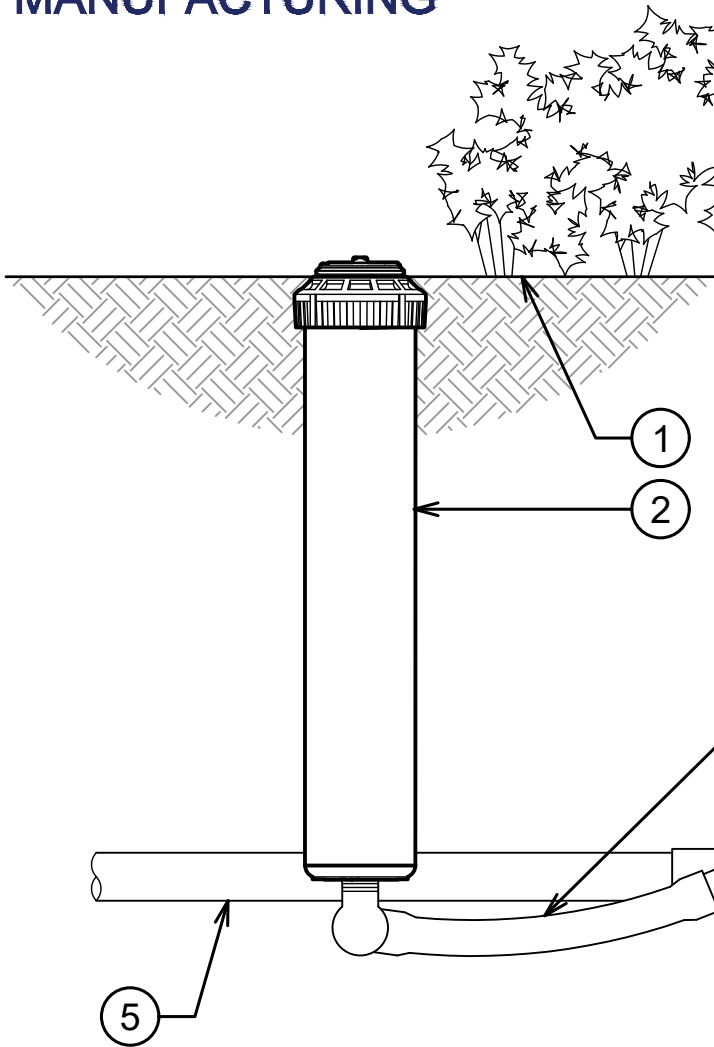
3" = 1'-0"

- ① FINISH GRADE
- ② K-RAIN SUPERPRO GEAR DRIVE ROTOR MODEL 10003-CV: 4" POP-UP ROTOR WITH INTELLIGENT FLOW TECHNOLOGY™ AND CHECK VALVE
- ③ 3/4" FLEX SWING JOINT
- ④ LATERAL TEE OR ELL
- ⑤ LATERAL PIPE



- ① FINISH GRADE
- ② K-RAIN SUPERPRO GEAR DRIVE ROTOR MODEL 10003-CV: 4" POP-UP ROTOR WITH INTELLIGENT FLOW TECHNOLOGY™ AND CHECK VALVE
- ③ 3/4" RIGID SWING JOINT: SCHEDULE 80 NIPPLE, SCHEDULE 40 STREET ELLS
- ④ LATERAL TEE OR ELL
- ⑤ LATERAL PIPE





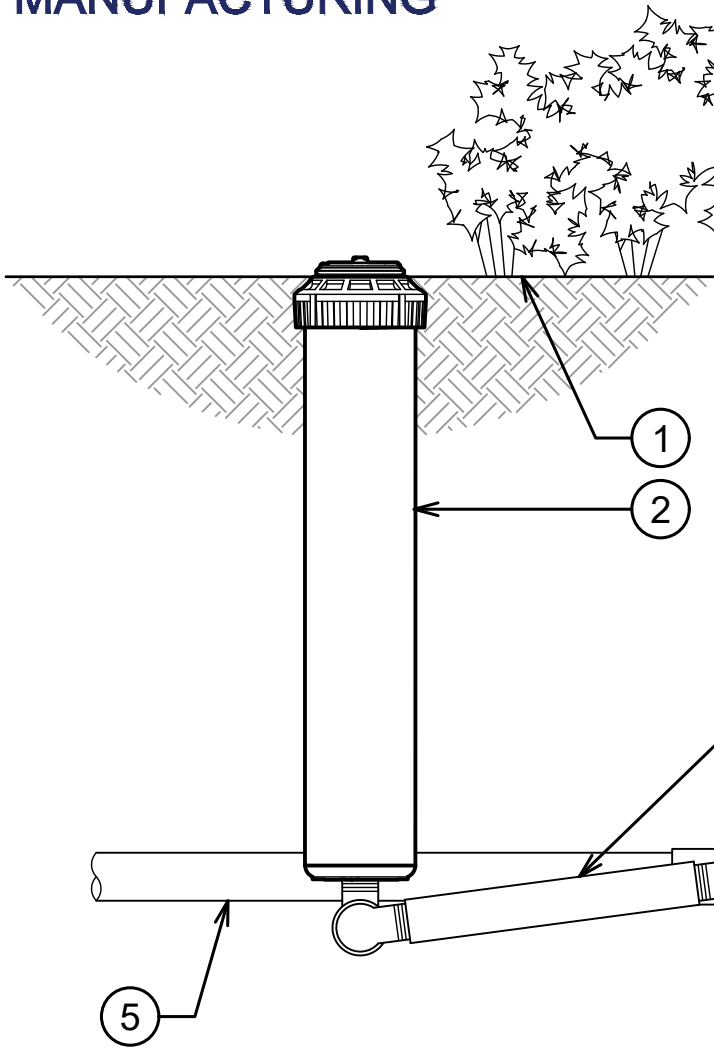
- ① FINISH GRADE
- ② K-RAIN SUPERPRO GEAR DRIVE ROTOR MODEL 10003-HP: 12" POP-UP ROTOR WITH INTELLIGENT FLOW TECHNOLOGY™
- ③ 3/4" FLEX SWING JOINT
- ④ LATERAL TEE OR ELL
- ⑤ LATERAL PIPE



K-RAIN SUPERPRO ROTOR WITH 12" POP-UP

3" = 1'-0"

www.krain.com

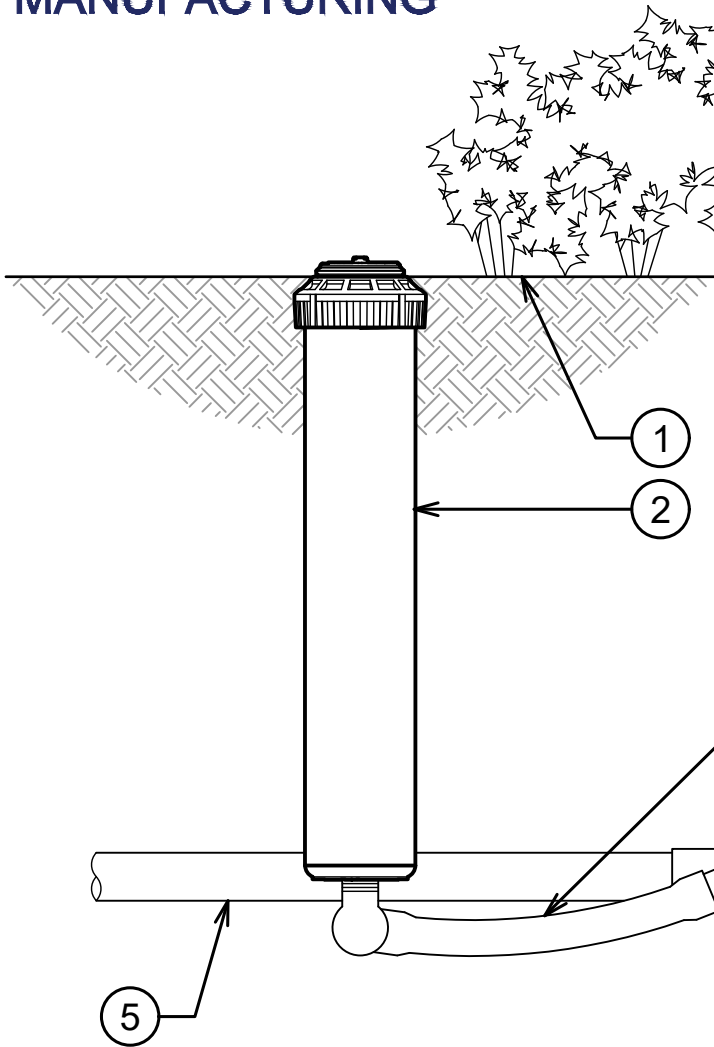


- ① FINISH GRADE
- ② K-RAIN SUPERPRO GEAR DRIVE ROTOR MODEL 10003-HP: 12" POP-UP ROTOR WITH INTELLIGENT FLOW TECHNOLOGY™
- ③ 3/4" RIGID SWING JOINT: SCHEDULE 80 NIPPLE, SCHEDULE 40 STREET ELLS
- ④ LATERAL TEE OR ELL
- ⑤ LATERAL PIPE



K-RAIN SUPERPRO ROTOR WITH 12" POP-UP

3" = 1'-0"

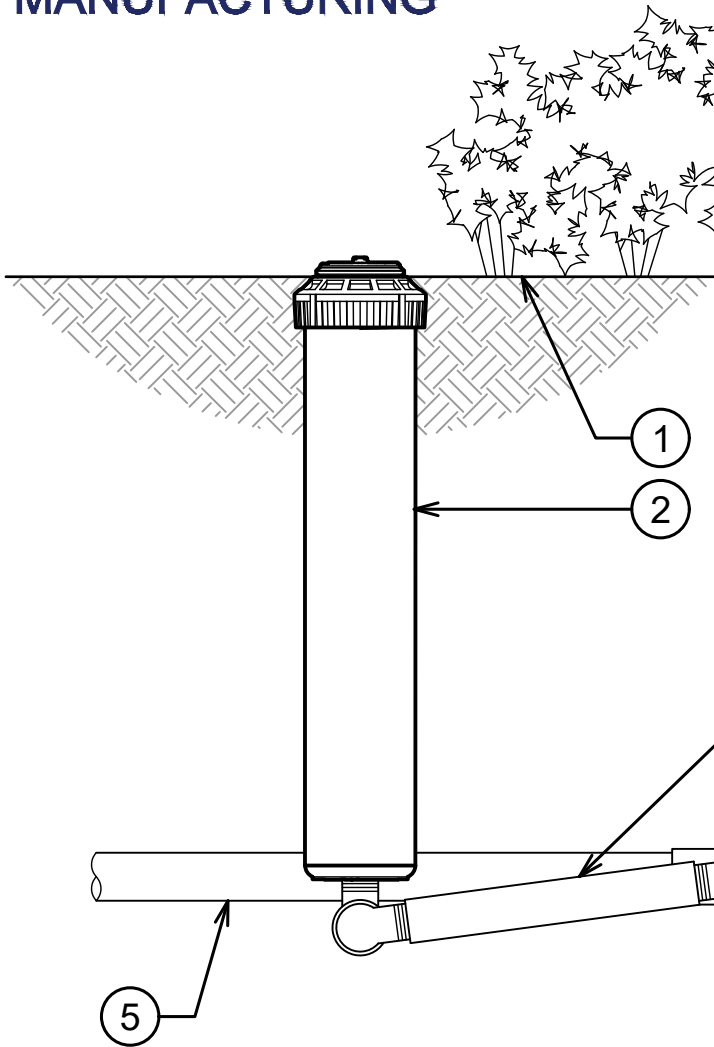


- ① FINISH GRADE
- ② K-RAIN SUPERPRO GEAR DRIVE ROTOR MODEL 10003-HP-CV: 12" POP-UP ROTOR WITH INTELLIGENT FLOW TECHNOLOGY™ AND CHECK VALVE
- ③ 3/4" FLEX SWING JOINT
- ④ LATERAL TEE OR ELL
- ⑤ LATERAL PIPE



K-RAIN SUPERPRO ROTOR WITH 12" POP-UP

3" = 1'-0"

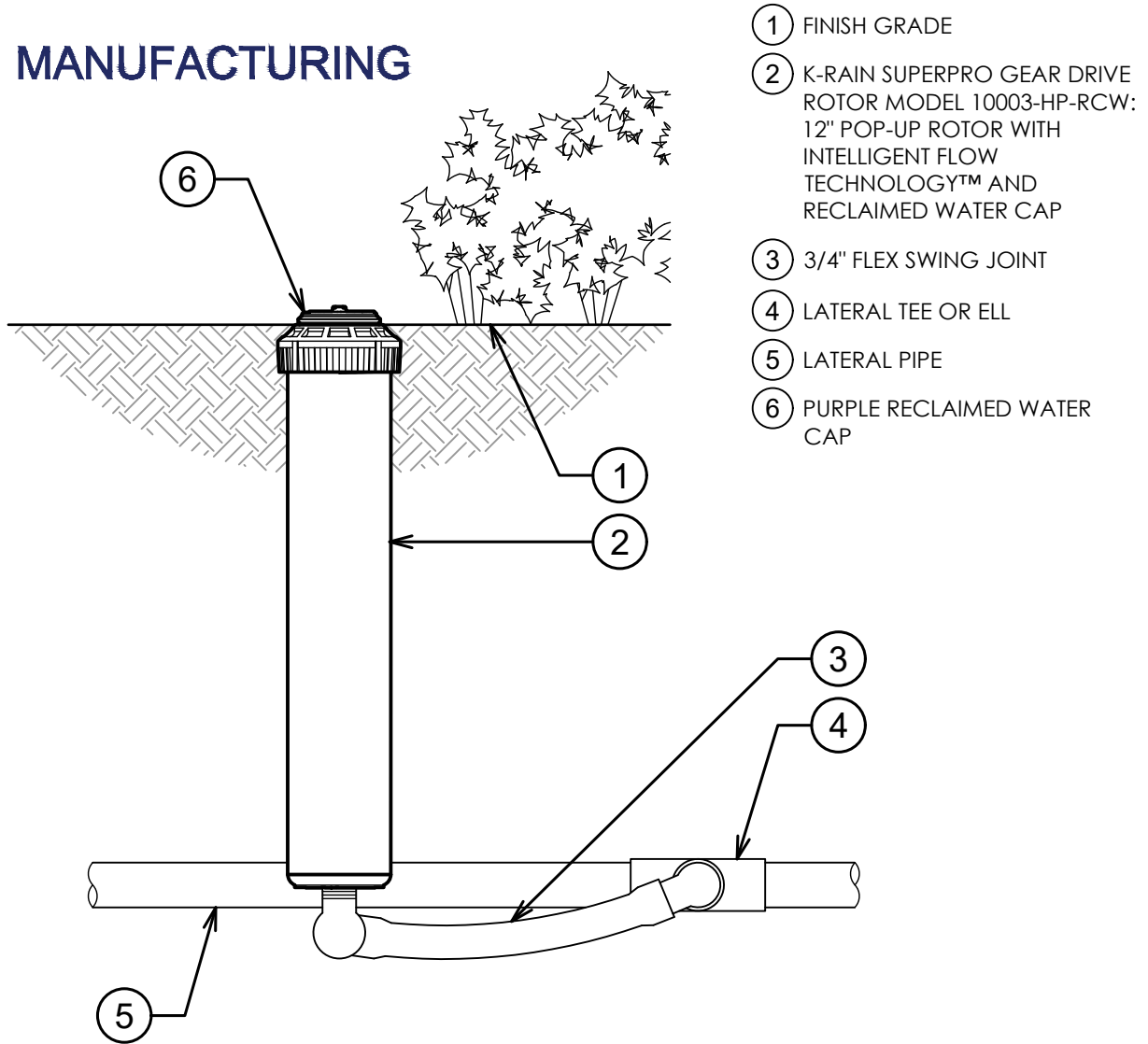


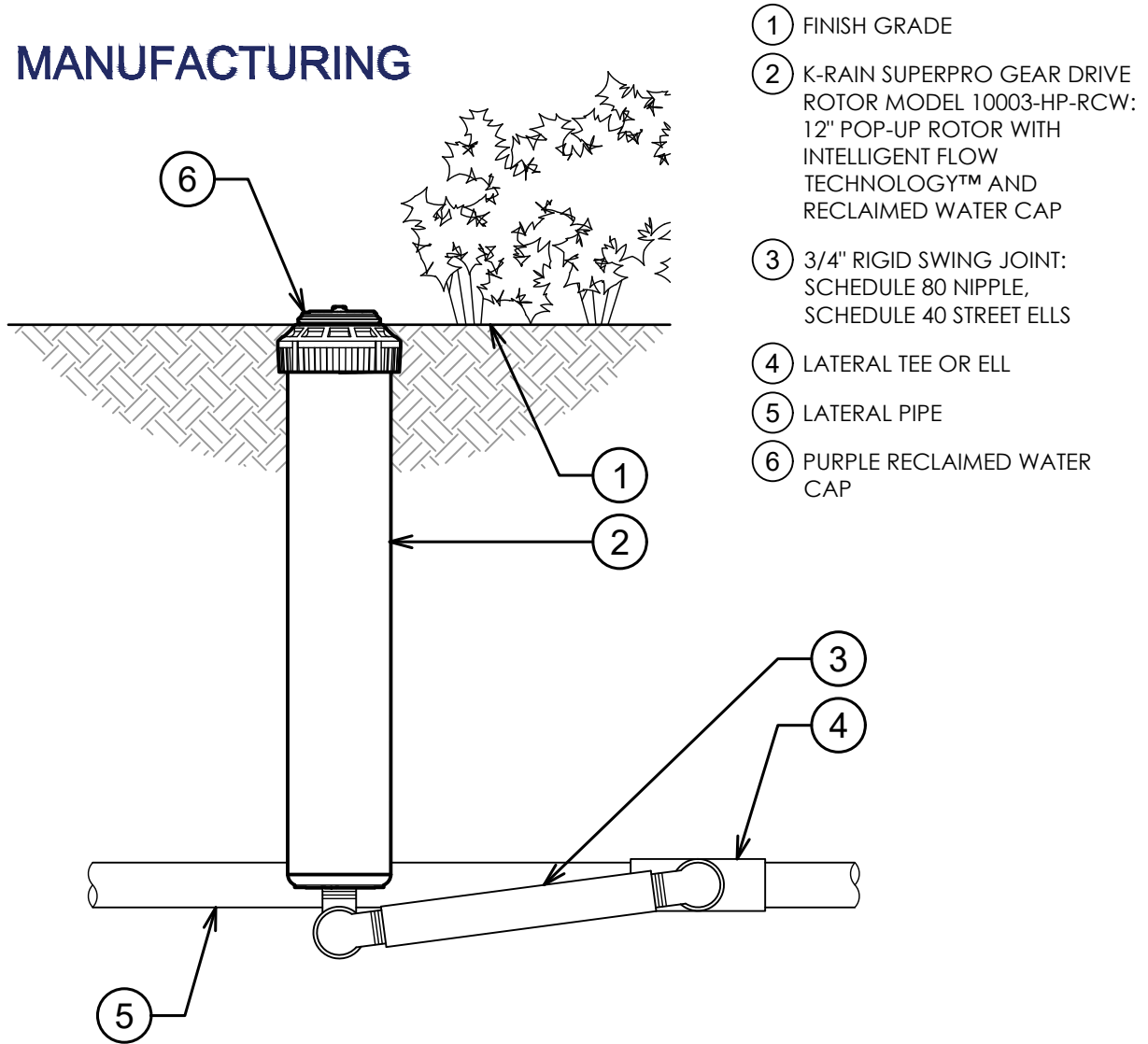
- ① FINISH GRADE
- ② K-RAIN SUPERPRO GEAR DRIVE ROTOR MODEL 10003-HP-CV: 12" POP-UP ROTOR WITH INTELLIGENT FLOW TECHNOLOGY™ AND CHECK VALVE
- ③ 3/4" RIGID SWING JOINT: SCHEDULE 80 NIPPLE, SCHEDULE 40 STREET ELLS
- ④ LATERAL TEE OR ELL
- ⑤ LATERAL PIPE



K-RAIN SUPERPRO ROTOR WITH 12" POP-UP

3" = 1'-0"



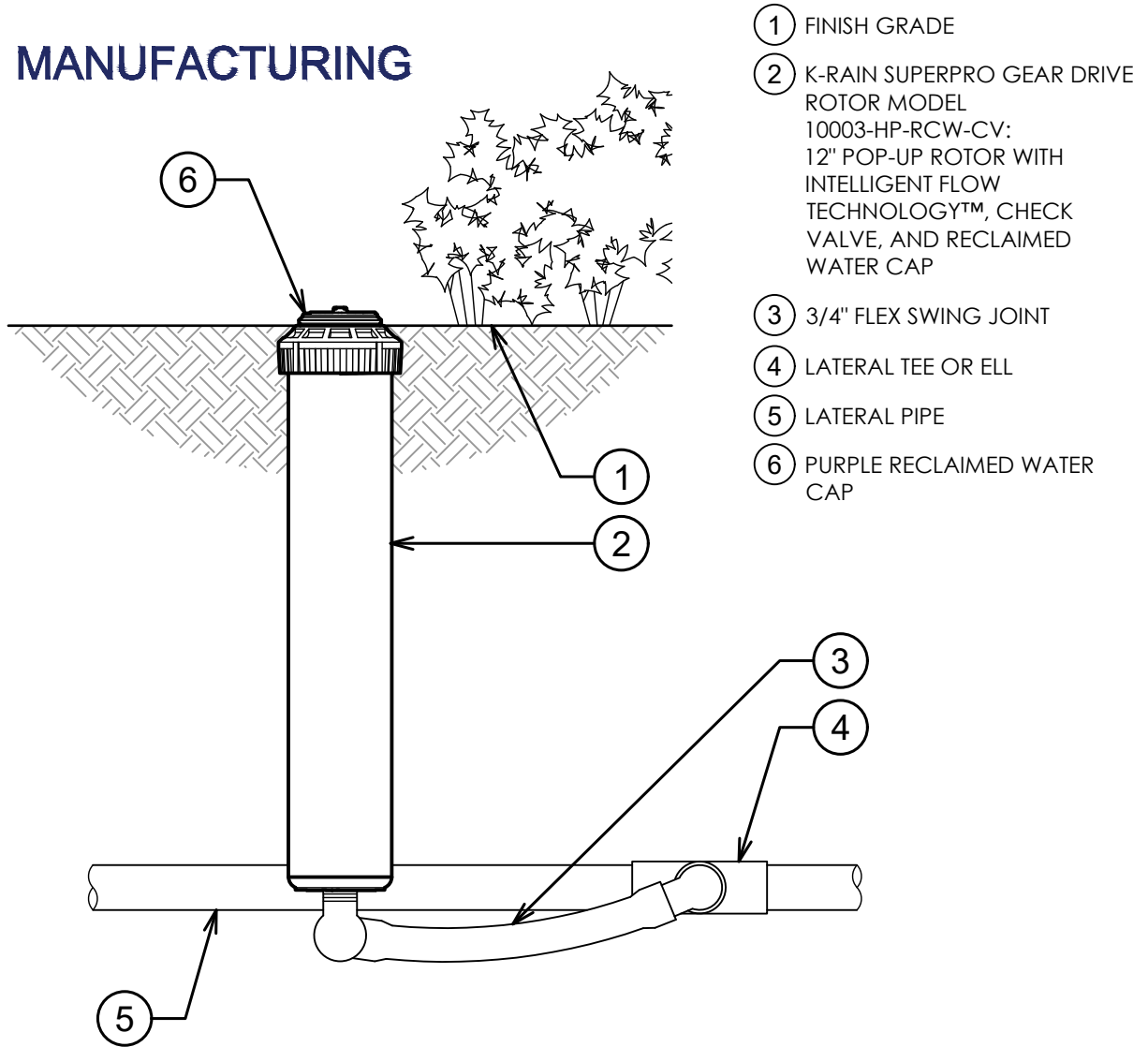


- ① FINISH GRADE
- ② K-RAIN SUPERPRO GEAR DRIVE ROTOR MODEL 10003-HP-RCW: 12" POP-UP ROTOR WITH INTELLIGENT FLOW TECHNOLOGY™ AND RECLAIMED WATER CAP
- ③ 3/4" RIGID SWING JOINT: SCHEDULE 80 NIPPLE, SCHEDULE 40 STREET ELLS
- ④ LATERAL TEE OR ELL
- ⑤ LATERAL PIPE
- ⑥ PURPLE RECLAIMED WATER CAP



K-RAIN SUPERPRO ROTOR WITH 12" POP-UP

3" = 1'-0"

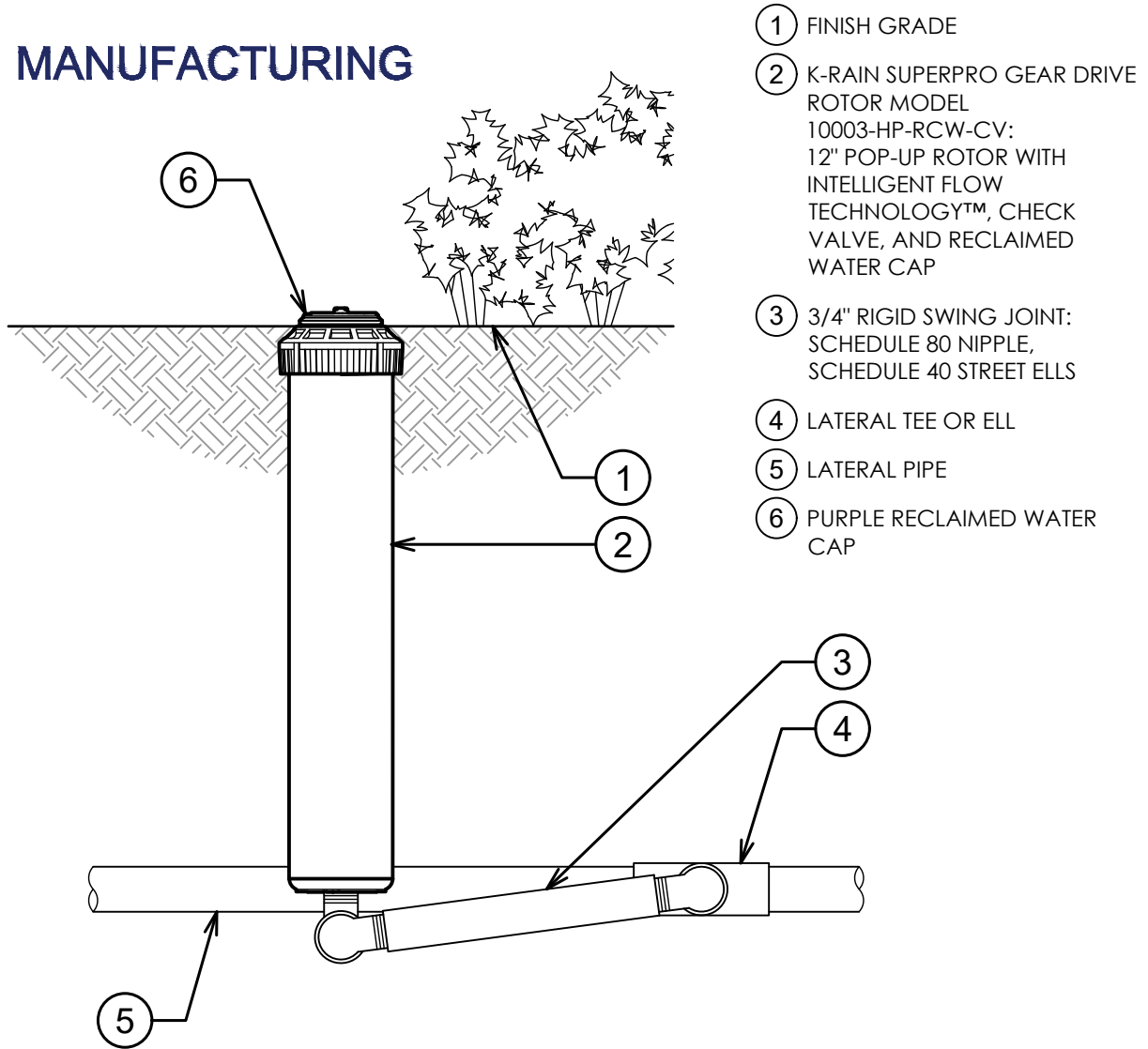


- ① FINISH GRADE
- ② K-RAIN SUPERPRO GEAR DRIVE ROTOR MODEL 10003-HP-RCW-CV: 12" POP-UP ROTOR WITH INTELLIGENT FLOW TECHNOLOGY™, CHECK VALVE, AND RECLAIMED WATER CAP
- ③ 3/4" FLEX SWING JOINT
- ④ LATERAL TEE OR ELL
- ⑤ LATERAL PIPE
- ⑥ PURPLE RECLAIMED WATER CAP



K-RAIN SUPERPRO ROTOR WITH 12" POP-UP

3" = 1'-0"

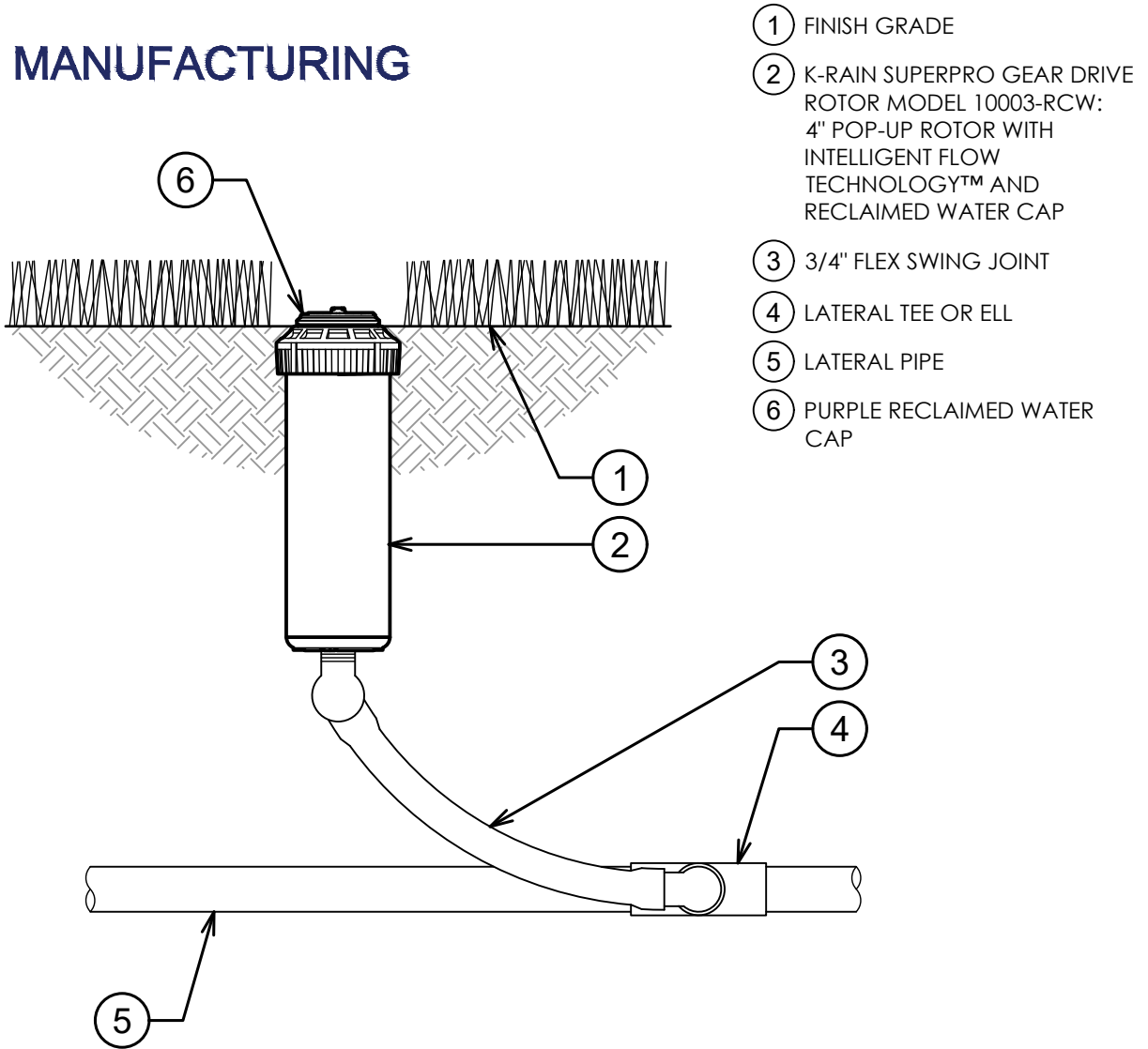


- ① FINISH GRADE
- ② K-RAIN SUPERPRO GEAR DRIVE ROTOR MODEL 10003-HP-RCW-CV: 12" POP-UP ROTOR WITH INTELLIGENT FLOW TECHNOLOGY™, CHECK VALVE, AND RECLAIMED WATER CAP
- ③ 3/4" RIGID SWING JOINT: SCHEDULE 80 NIPPLE, SCHEDULE 40 STREET ELLS
- ④ LATERAL TEE OR ELL
- ⑤ LATERAL PIPE
- ⑥ PURPLE RECLAIMED WATER CAP



K-RAIN SUPERPRO ROTOR WITH 12" POP-UP

3" = 1'-0"

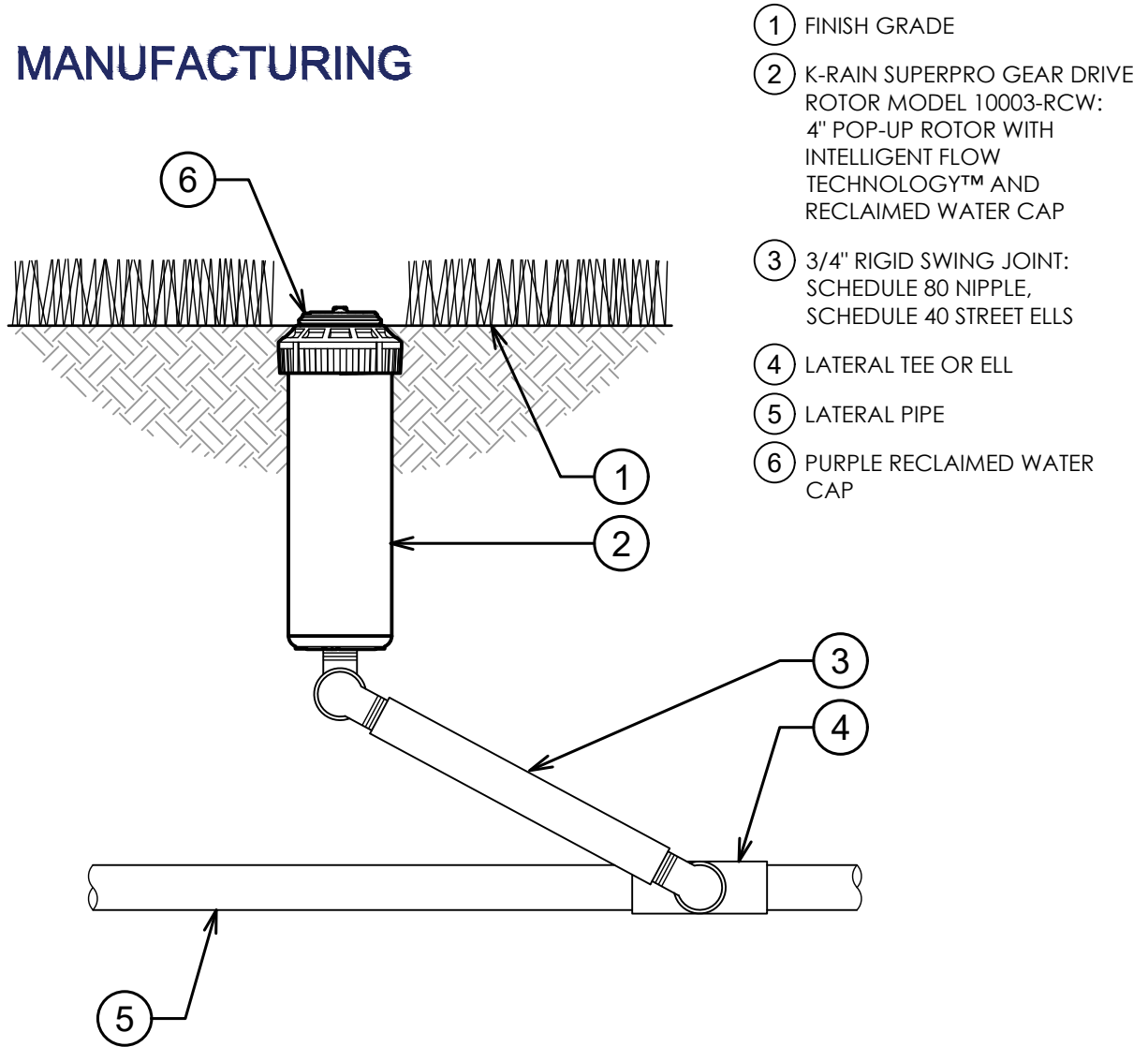


- ① FINISH GRADE
- ② K-RAIN SUPERPRO GEAR DRIVE ROTOR MODEL 10003-RCW: 4" POP-UP ROTOR WITH INTELLIGENT FLOW TECHNOLOGY™ AND RECLAIMED WATER CAP
- ③ 3/4" FLEX SWING JOINT
- ④ LATERAL TEE OR ELL
- ⑤ LATERAL PIPE
- ⑥ PURPLE RECLAIMED WATER CAP



K-RAIN SUPERPRO ROTOR WITH 4" POP-UP

3" = 1'-0"

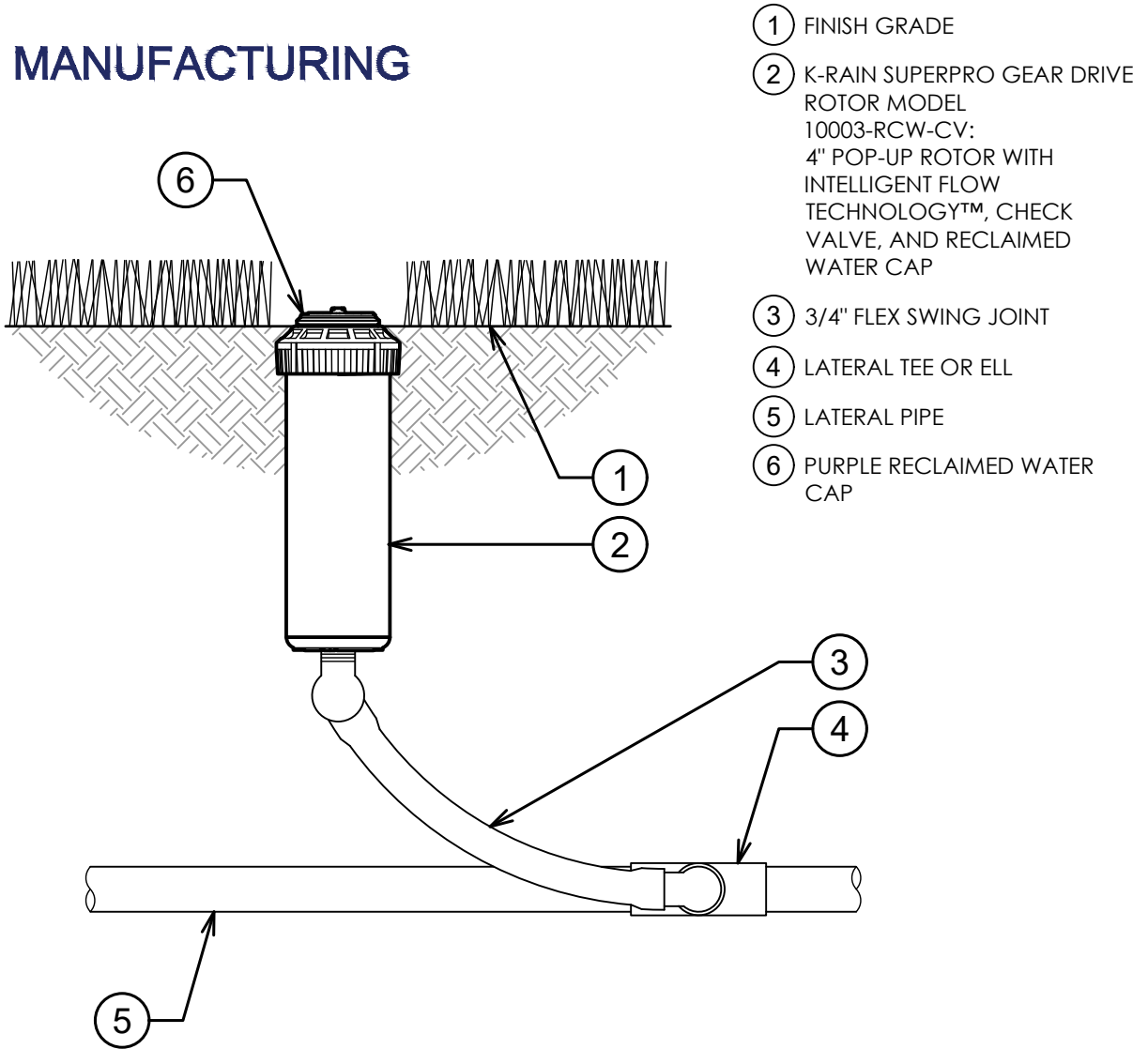


- ① FINISH GRADE
- ② K-RAIN SUPERPRO GEAR DRIVE ROTOR MODEL 10003-RCW: 4" POP-UP ROTOR WITH INTELLIGENT FLOW TECHNOLOGY™ AND RECLAIMED WATER CAP
- ③ 3/4" RIGID SWING JOINT: SCHEDULE 80 NIPPLE, SCHEDULE 40 STREET ELLS
- ④ LATERAL TEE OR ELL
- ⑤ LATERAL PIPE
- ⑥ PURPLE RECLAIMED WATER CAP



K-RAIN SUPERPRO ROTOR WITH 4" POP-UP

3" = 1'-0"

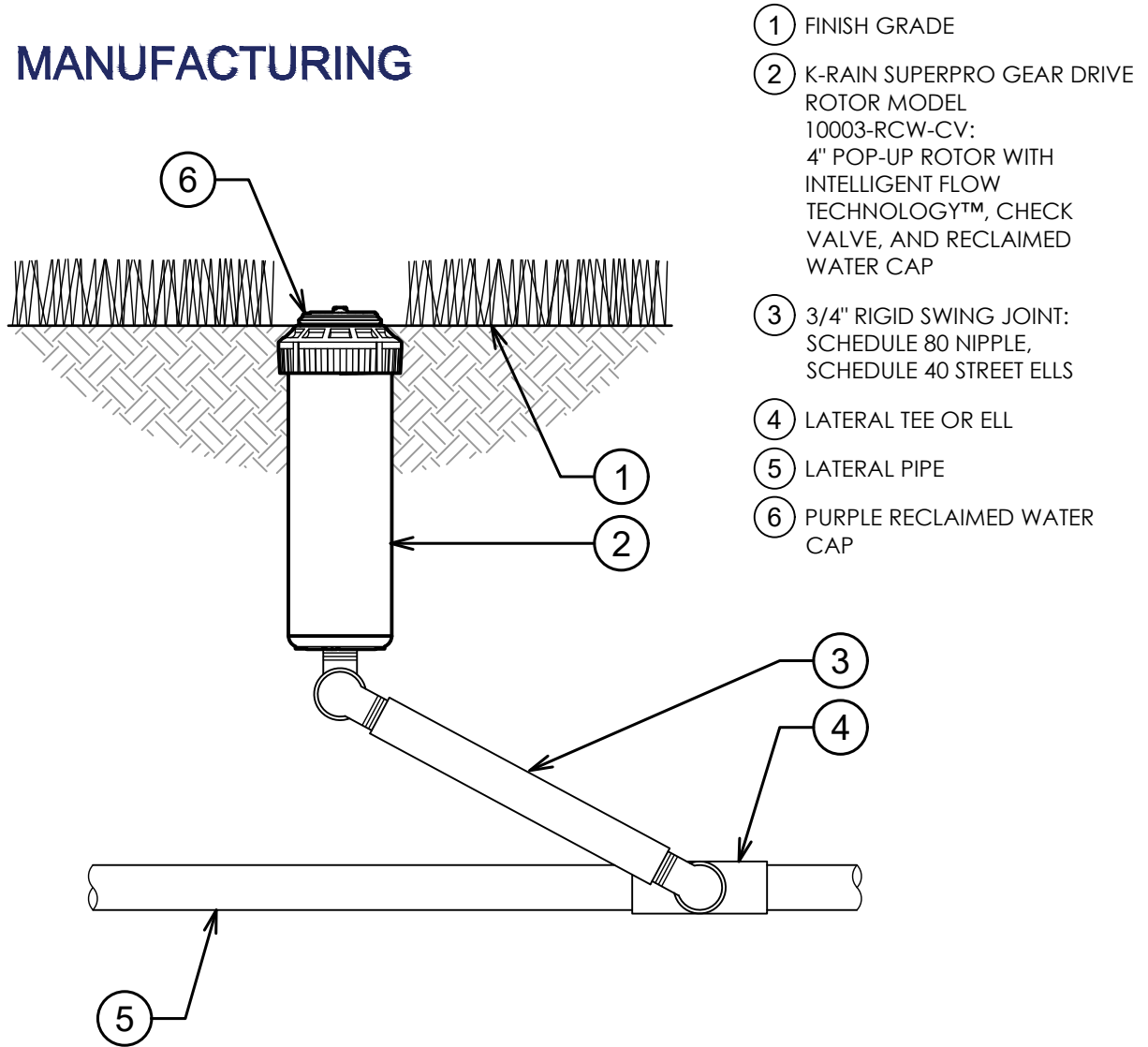


- ① FINISH GRADE
- ② K-RAIN SUPERPRO GEAR DRIVE ROTOR MODEL 10003-RCW-CV: 4" POP-UP ROTOR WITH INTELLIGENT FLOW TECHNOLOGY™, CHECK VALVE, AND RECLAIMED WATER CAP
- ③ 3/4" FLEX SWING JOINT
- ④ LATERAL TEE OR ELL
- ⑤ LATERAL PIPE
- ⑥ PURPLE RECLAIMED WATER CAP



K-RAIN SUPERPRO ROTOR WITH 4" POP-UP

3" = 1'-0"

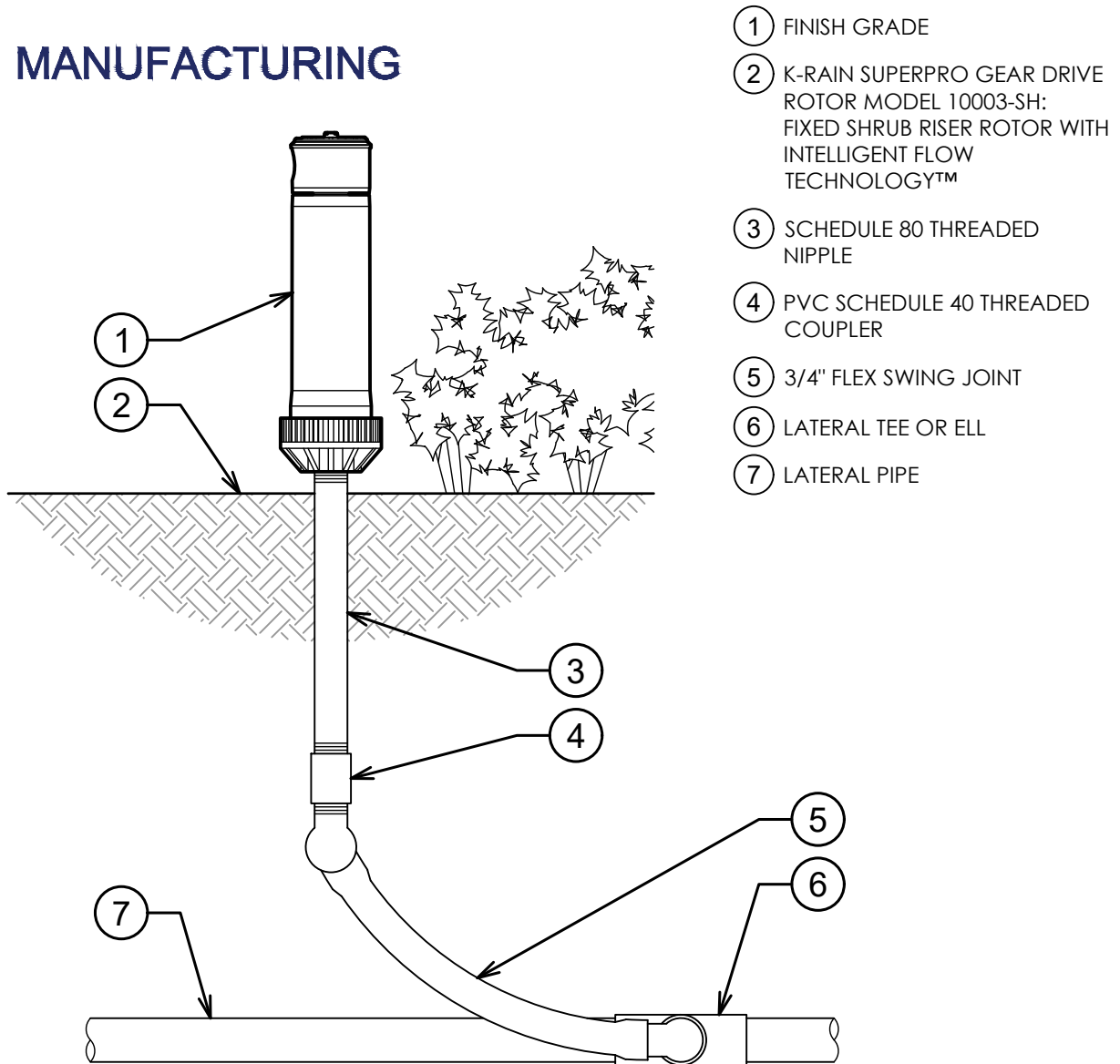


- ① FINISH GRADE
- ② K-RAIN SUPERPRO GEAR DRIVE ROTOR MODEL 10003-RCW-CV: 4" POP-UP ROTOR WITH INTELLIGENT FLOW TECHNOLOGY™, CHECK VALVE, AND RECLAIMED WATER CAP
- ③ 3/4" RIGID SWING JOINT: SCHEDULE 80 NIPPLE, SCHEDULE 40 STREET ELLS
- ④ LATERAL TEE OR ELL
- ⑤ LATERAL PIPE
- ⑥ PURPLE RECLAIMED WATER CAP

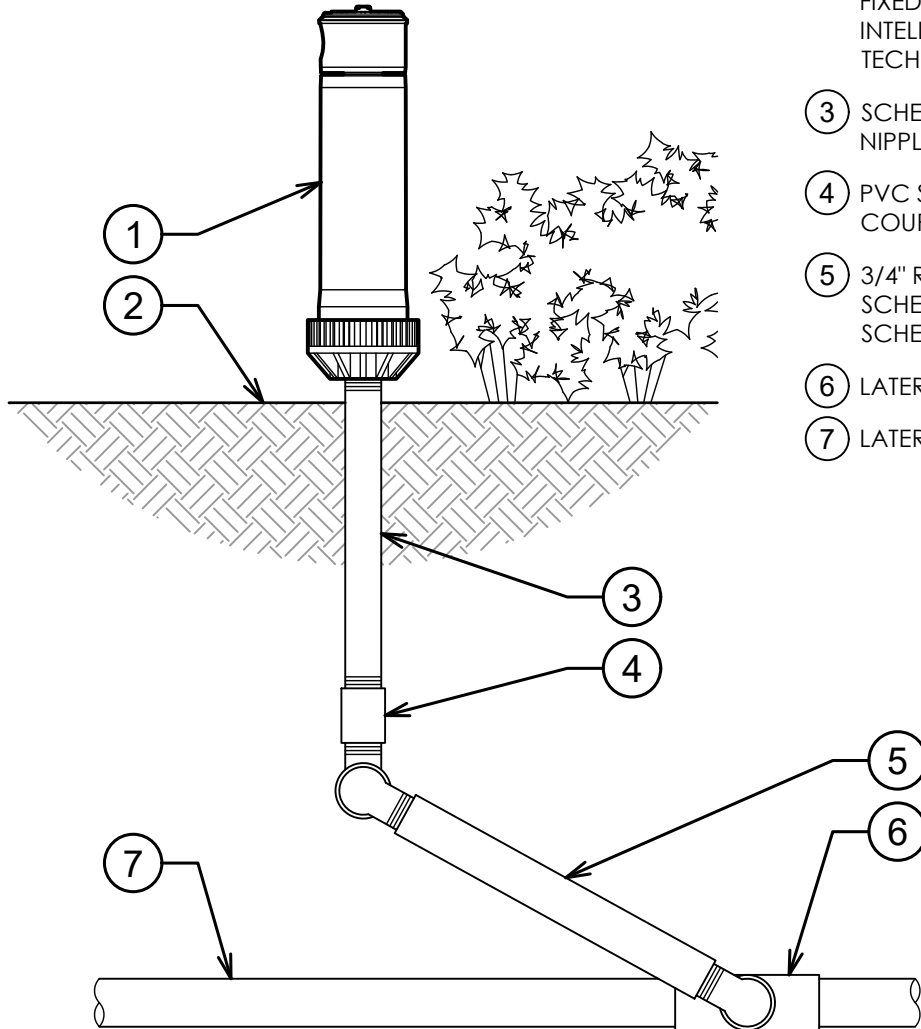


K-RAIN SUPERPRO ROTOR WITH 4" POP-UP

3" = 1'-0"



- ① FINISH GRADE
- ② K-RAIN SUPERPRO GEAR DRIVE ROTOR MODEL 10003-SH: FIXED SHRUB RISER ROTOR WITH INTELLIGENT FLOW TECHNOLOGY™
- ③ SCHEDULE 80 THREADED NIPPLE
- ④ PVC SCHEDULE 40 THREADED COUPLER
- ⑤ 3/4" FLEX SWING JOINT
- ⑥ LATERAL TEE OR ELL
- ⑦ LATERAL PIPE

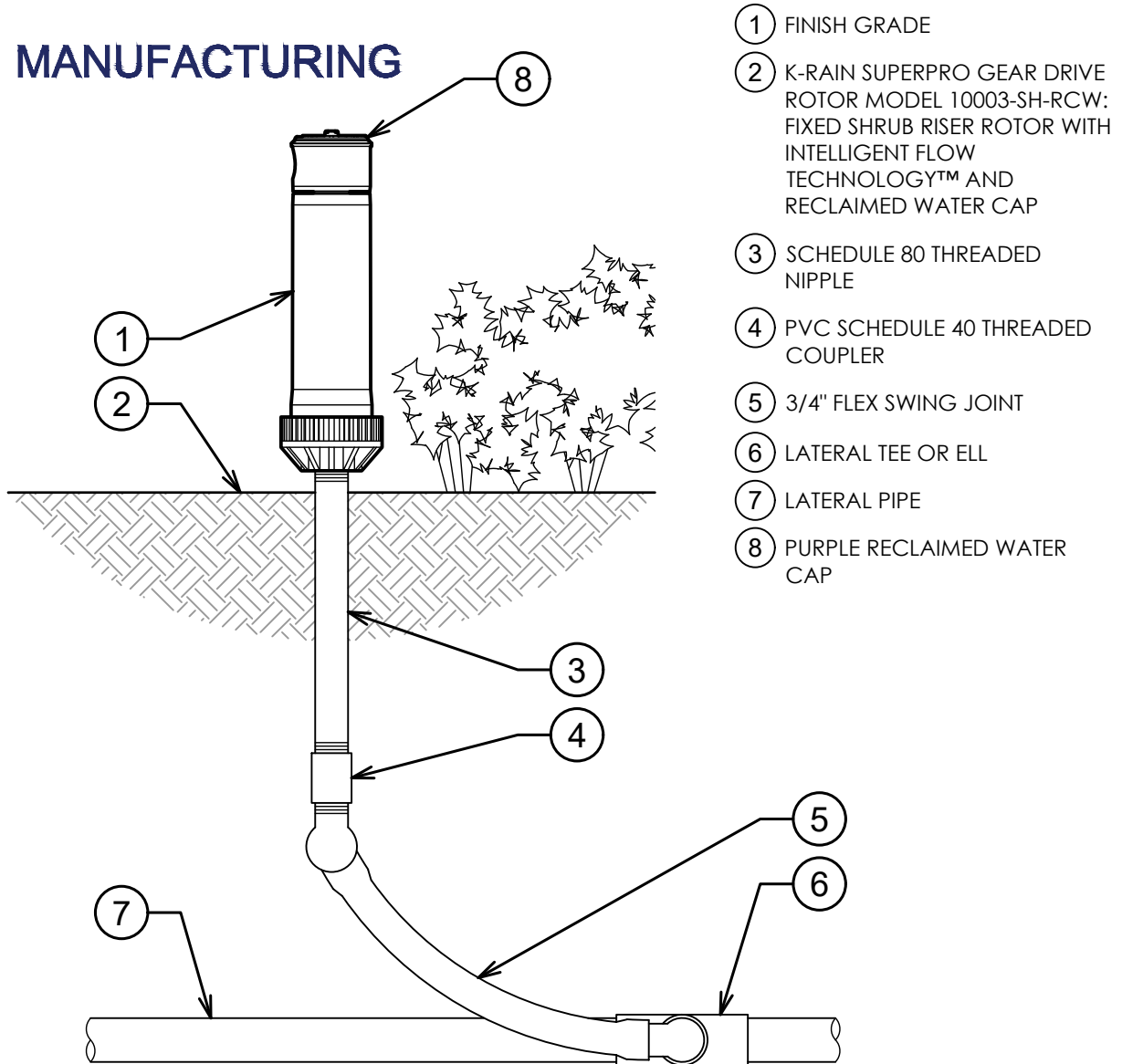


- ① FINISH GRADE
- ② K-RAIN SUPERPRO GEAR DRIVE ROTOR MODEL 10003-SH: FIXED SHRUB RISER ROTOR WITH INTELLIGENT FLOW TECHNOLOGY™
- ③ SCHEDULE 80 THREADED NIPPLE
- ④ PVC SCHEDULE 40 THREADED COUPLER
- ⑤ 3/4" RIGID SWING JOINT: SCHEDULE 80 NIPPLE, SCHEDULE 40 STREET ELLS
- ⑥ LATERAL TEE OR ELL
- ⑦ LATERAL PIPE

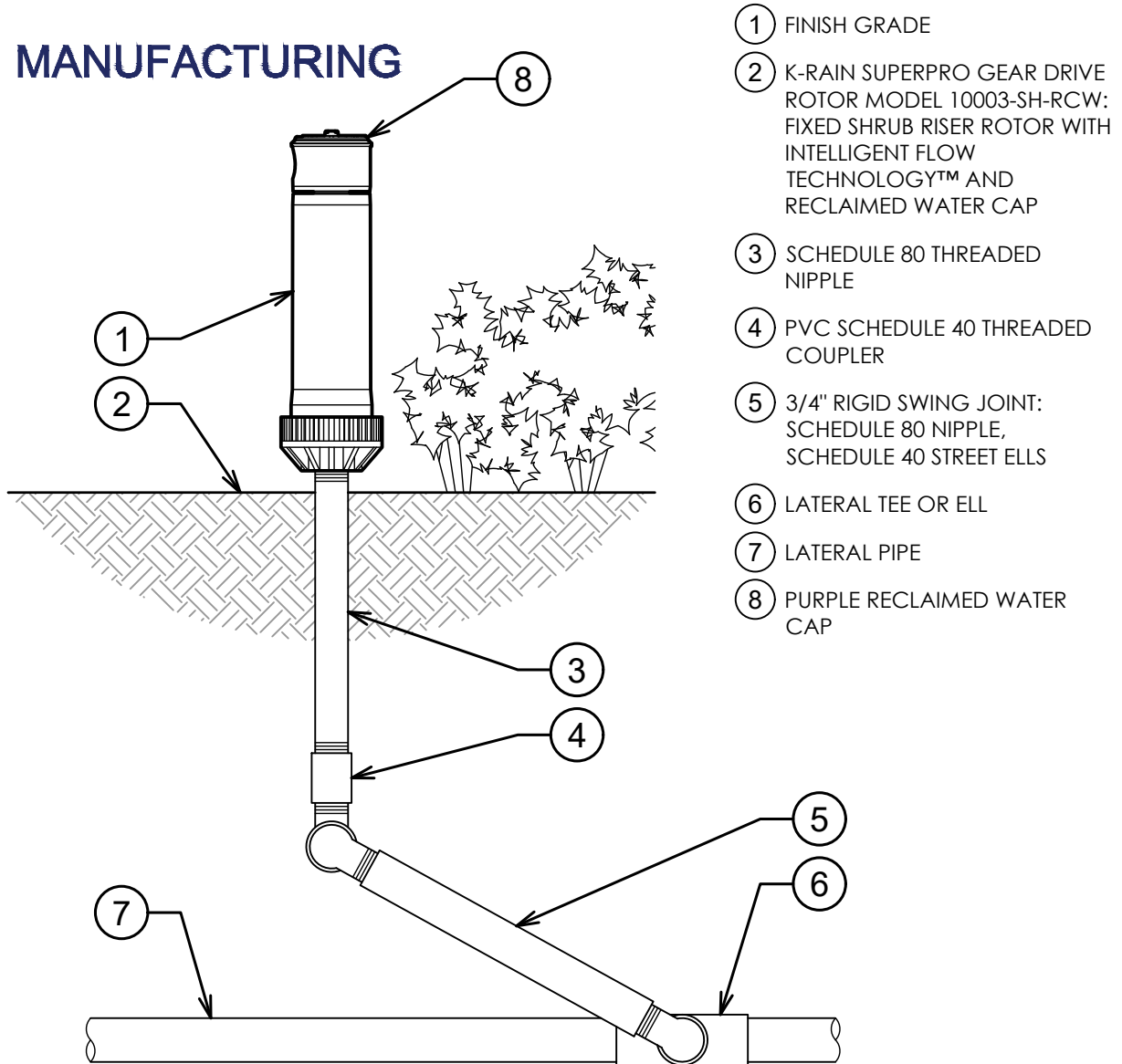


K-RAIN SUPERPRO ROTOR WITH 4" POP-UP

3" = 1'-0"



- ① FINISH GRADE
- ② K-RAIN SUPERPRO GEAR DRIVE ROTOR MODEL 10003-SH-RCW: FIXED SHRUB RISER ROTOR WITH INTELLIGENT FLOW TECHNOLOGY™ AND RECLAIMED WATER CAP
- ③ SCHEDULE 80 THREADED NIPPLE
- ④ PVC SCHEDULE 40 THREADED COUPLER
- ⑤ 3/4" FLEX SWING JOINT
- ⑥ LATERAL TEE OR ELL
- ⑦ LATERAL PIPE
- ⑧ PURPLE RECLAIMED WATER CAP



- ① FINISH GRADE
- ② K-RAIN SUPERPRO GEAR DRIVE ROTOR MODEL 10003-SH-RCW: FIXED SHRUB RISER ROTOR WITH INTELLIGENT FLOW TECHNOLOGY™ AND RECLAIMED WATER CAP
- ③ SCHEDULE 80 THREADED NIPPLE
- ④ PVC SCHEDULE 40 THREADED COUPLER
- ⑤ 3/4" RIGID SWING JOINT: SCHEDULE 80 NIPPLE, SCHEDULE 40 STREET ELLS
- ⑥ LATERAL TEE OR ELL
- ⑦ LATERAL PIPE
- ⑧ PURPLE RECLAIMED WATER CAP



K-RAIN SUPERPRO ROTOR WITH 4" POP-UP

3" = 1'-0"